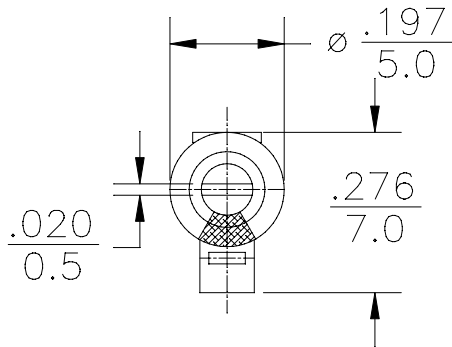
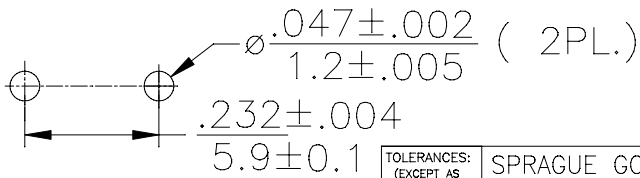
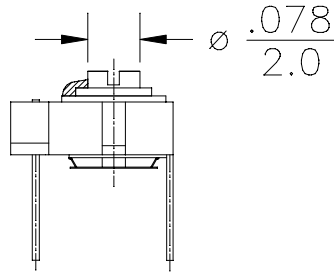
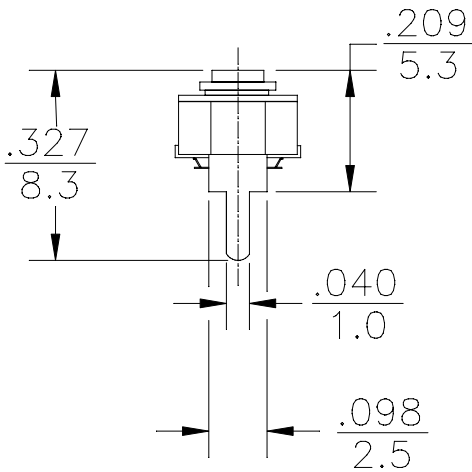


REV	DESCRIPTION	DATE	APP
00	NEW DRAWING	06/16/10	



SPECIFICATIONS:

1. Capacitance : Cmin 13.0 pF
Cmax 70.0 pF
2. Operating temperature range : - 30°C to + 85°C
3. TCC : N1200 ± 500 ppm/°C
4. Q min at maximum rated capacitance : 200 at 1MHz
5. Voltage rating 100 VDC
6. Dielectric withstanding voltage: 400 VDC
7. Insulation resistance: 10⁴ Megohms min.
8. Torque : 35 to 200 g-cm (0.49 to 2.8 oz-in)
9. Thermal resistance: 5 sec. @ 260°C⁺⁵⁰_{-0.0} %
10. Vibration: 50 g @ 10-2000 Hz
11. Capacitance drift: 5 % or 1.5 pF whichever is greater
12. Dimensions in in./mm.



MOUNTING HOLES LAYOUT

TOLERANCES: (EXCEPT AS NOTED)				SPRAGUE GOODMAN ELECTRONICS INC. 1700 SHAMES DRIVE WESTBURY, NY 11590			
DECIMAL: ±0.002 in ±0.051 mm		MATERIAL:		SCALE: 4:1		DRAWN BY: R.LEVIN	
FRACTIONAL: 1/64		TITLE: OUTLINE DWG P/N GKU70020				APPROVED:	
ANGULAR: 1°		DATE: 06/16/10		DRAWING NUMBER GKU70020		USED FOR: REV. 00	