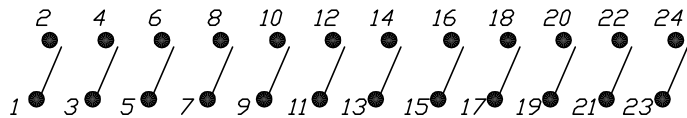
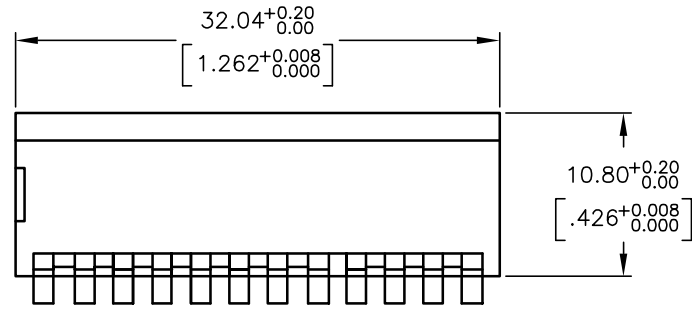


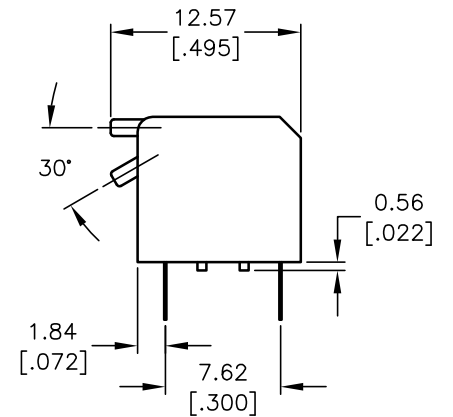
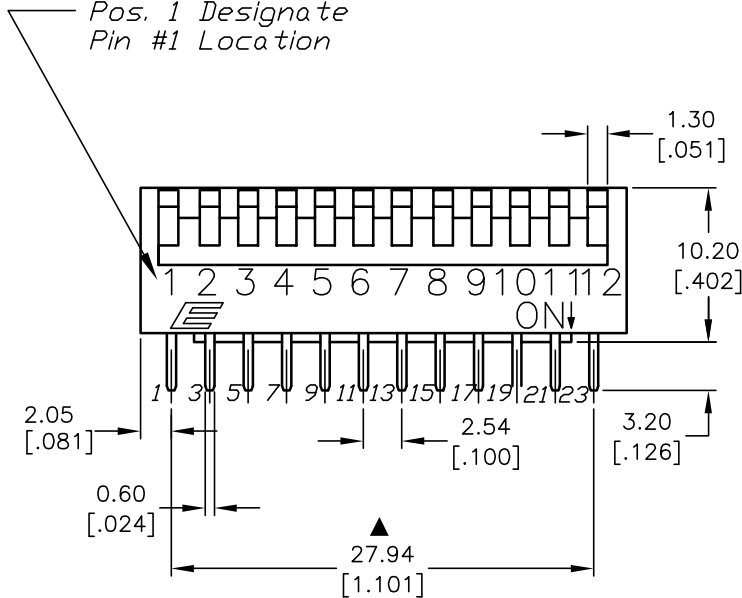
RECOMMEND P.C.B. LAYOUT



CONTACT CONFIGURATION



Pos. 1 Designate
Pin #1 Location



NOTES:

1. ALL DIMENSIONS IN MM [INCH]
2. GENERAL TOLERANCE: X.X=±0.4
X.XX=±0.25
3. TERM. NOS. FOR REFERENCE ONLY.
- ▲ 4. SWITCHES SUPPLIED IN DISPENSING TUBES WITH ALL POLES IN THE "OFF" POSITION.
- ▲ 5. TOP TAPE SEALED
6. ▲ DENOTES CRITICAL PARAMETER.

E-SWITCH®

TITLE					KAP1112ET				
SCALE	2:1	DATE	8/22/03	DR	AR	DWG	N411123	REV	A

THE INFORMATION CONTAINED IN THIS DOCUMENT IS PROPRIETARY TO E-SWITCH AND IS NOT TO BE COPIED OR TRANSFERRED