

ITEM No.	PART NAME	PART No.	CODE No.
1, 2, 3	CONNECTOR UNIT	DF80D-50P-0.5SD(51)	CL662-8020-7-51
-	METAL SHIELDING	DF80-50P-SHL	CL662-8009-4-00

- NOTES
1. APPLICABLE CABLE: DISCRETE CABLE(AWG#32~AWG#36), MICRO COAXIAL CABLE (AWG#40~AWG#46)
  2. THIS CONNECTOR IS NOT HOT PLUGGABLE. MATE AND UNMATE WHILE THE POWER IS OFF.
  - 3 THE ASSEMBLY IS COMPLETED BY COMBINING TWO PARTS 'CONNECTOR UNIT, AND METAL SHIELDING'. REFER TO THE TABLE FOR EACH ITEM No., PART NAME, PART No. AND CODE No.
  - 4 SOLDER A GRAND BAR WITH AN EXTERNAL CONDUCTOR OF THE CABLE ABOUT STICKING A GRAND BAR TOGETHER.
  - 5 PLEASE CONSULT ABOUT THE USE OF THE POTTING AND KAPTON TAPE SEPARATELY.

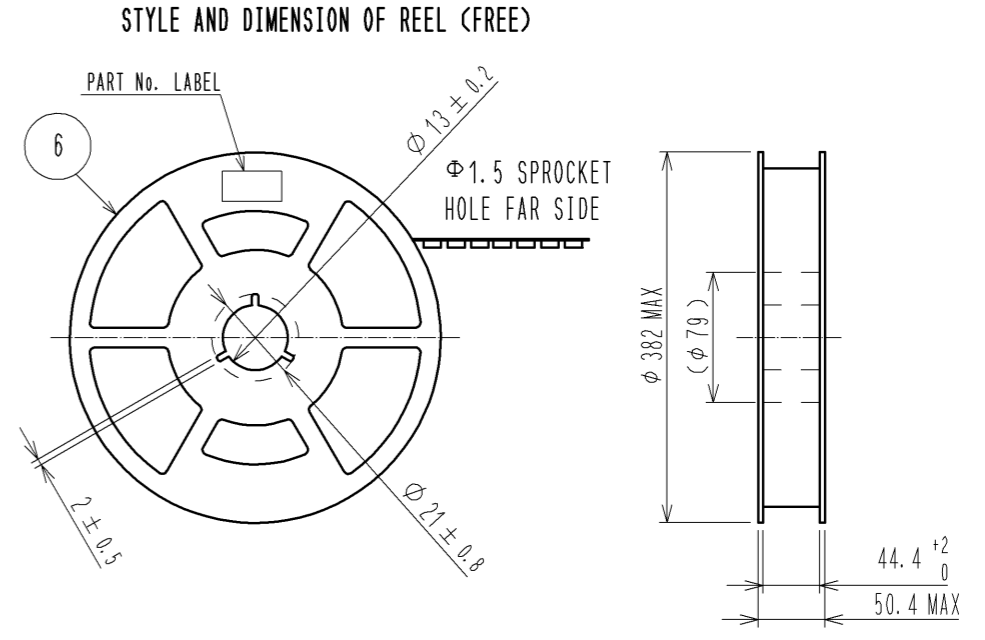
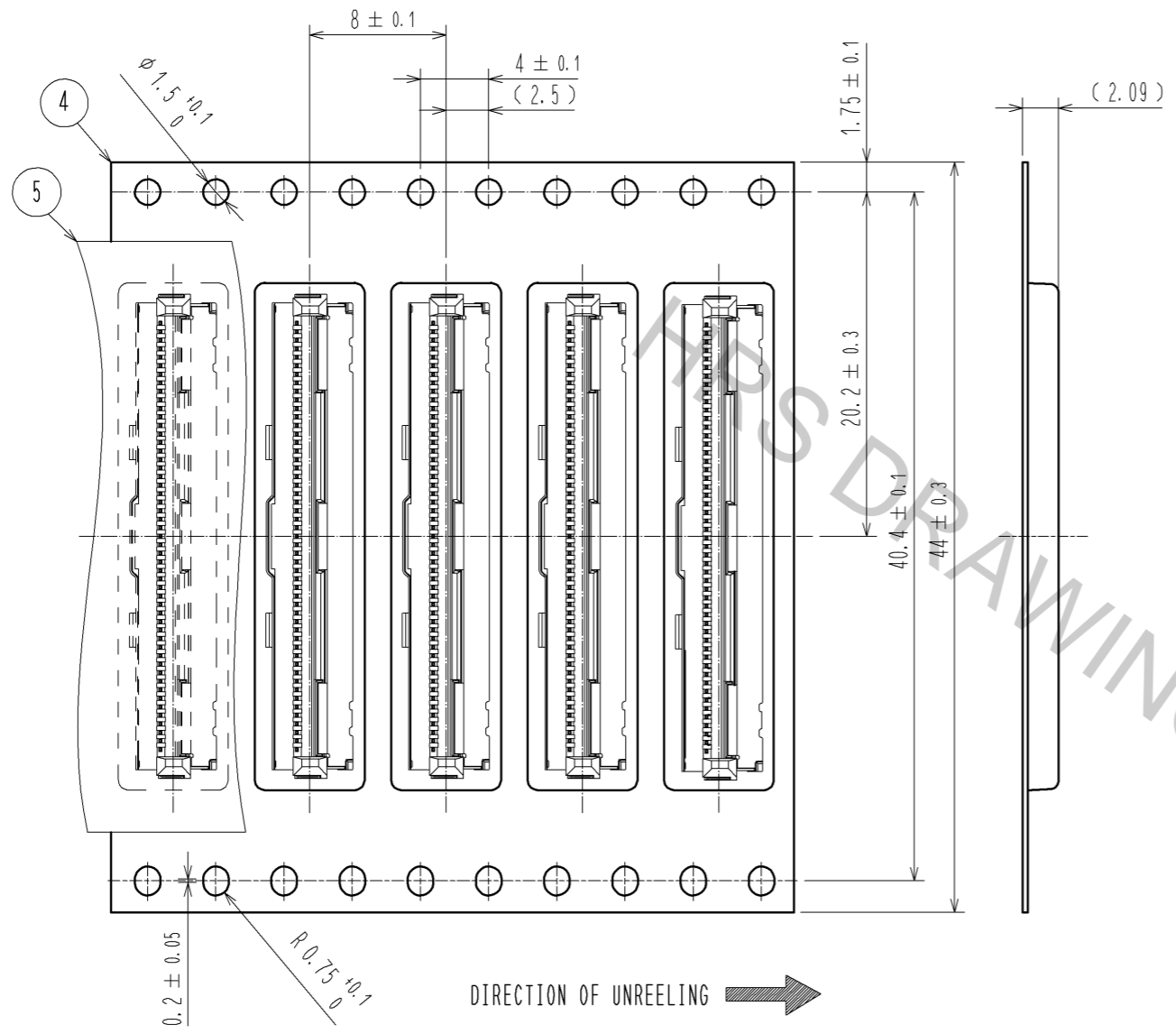
NO.	MATERIAL	FINISH	REMARKS	NO.	MATERIAL	FINISH	REMARKS
2	PHOSPHOR BRONZE	CONTACT AREA : Au PLATING 0.05μmMIN TERMINATION AREA : Au PLATING 0.05μmMIN UNDER PLATING : Ni PLATING 1μmMIN		6	PS	BLACK	
1	LCP	UL94V-0, BLACK		5	PHPOLYESTER	CLEAR	
				4	PS	CLEAR	
				3	STAINLESS	WHOLE AREA : Sn PLATING 1μmMIN UNDER PLATING : Ni PLATING 0.2μmMIN	

UNITS	SCALE	COUNT	DESCRIPTION OF REVISIONS	DESIGNED	CHECKED	DATE
mm	FREE	△	APPROVED : TS. SAKATA 13.05.11 CHECKED : TS. SAKATA 13.05.11 DESIGNED : IO. DENPOUYA 13.05.11 DRAWN : IO. DENPOUYA 13.05.11			

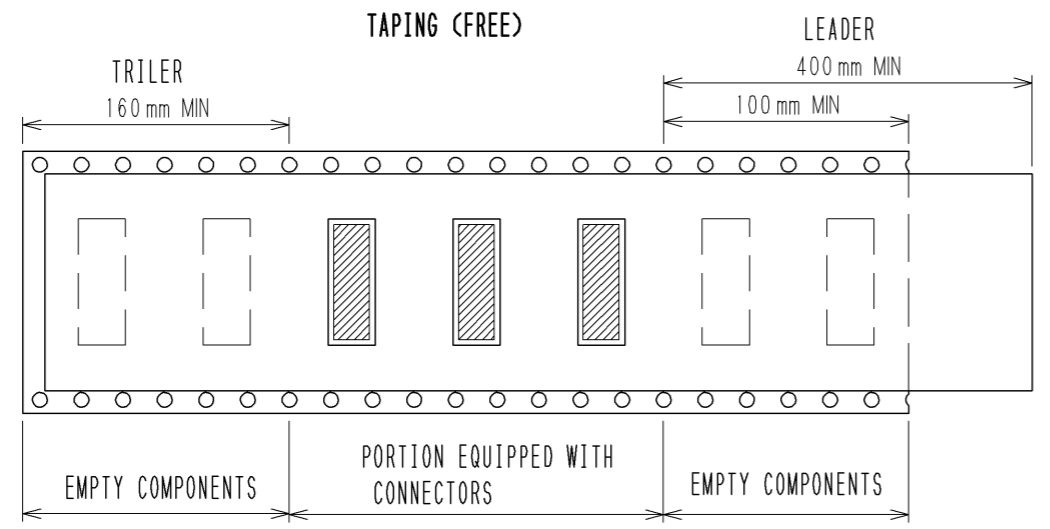
DRAWING NO.	PART NO.	CODE NO.
EDC3-351373-01	DF80D-50P-0.5SD(51)	CL662-8020-7-51



DETAIL OF PART No. LABEL

生産月日	年月日
図番	CL662-8020-7-51
品名	DF80D-50P-0.5SD(51)
納入数量	5000個
納入者	ヒロセ電機株式会社

- SUPPLIER
- QUANTITY
- PART No.
- CODE No.
- DATE OF MANUFACTURED



<b>HRS</b>	DRAWING NO.	EDC3-351373-01
	PART NO.	DF80D-50P-0.5SD(51)
	CODE NO.	CL662-8020-7-51
		△ 2/2