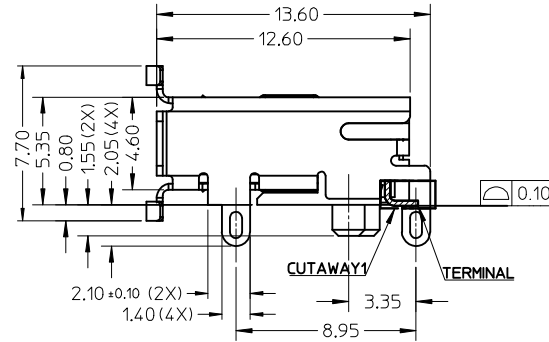
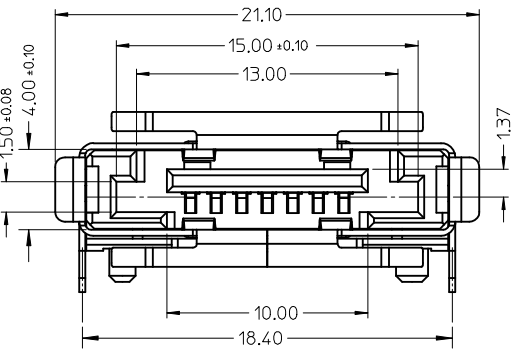


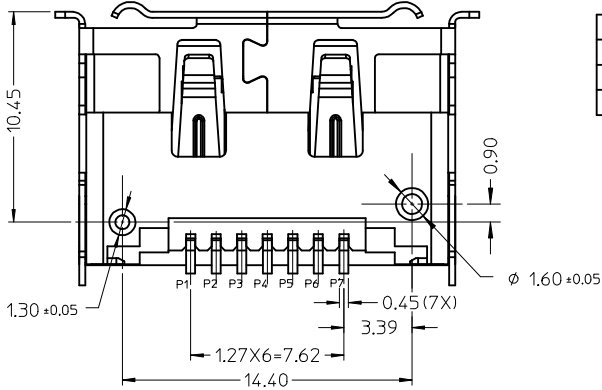
RECOMMEND PCB LAYOUT(CONNECTOR SIDE)
THICKNESS=1.30(ALL TOLERANCE: +/-0.05)

NOTES:

- MATERIAL:
HOUSING: PA6T,COLOR: BLACK, UL94V-0.
SHIELD CASE: COPPER ALLOY.
TERMIANL: COPPER ALLOY.
- PLATING:
SHIELD CASE: 100~200µ" SOLDERABLE NICKEL OVER ALL.
TERMINAL: CONTACT AREA GOLD PLATING(SEE CHART) AND
SOLDER TAIL 50~100µ" TIN ALLOY PLATING
OVER 50µ" MIN. NICKEL.
- PRODUCT SPEC REFER TO PS-47082-001.
- PACKAGE SPEC REFER TO PK-47379-001.
- PRODUCT MEET STANDARD 1.0 REVISION OF THE SERIAL ATA II:
CABLE AND CONNECTOR VOL 2 SPECIFICATION.
- PRODUCT COMPLIANT TO RoHS 2002/95/EC AND ELV 2000/53/EC.



47391-2000	TERMINAL CONTACT AREA PLATED 30µ" GOLD
47391-1000	TERMINAL CONTACT AREA PLATED 15µ" GOLD
47391-0000	TERMINAL CONTACT AREA PLATED GOLD FLASH
PART NO.	DESCRIPTION



REVISED	EC NO:	2007/04/30
	DRW:GLLI	2007/05/04
	CHKD:	2007/05/09
	APPR: JINCHEN	
REV	DESCRIPTION	

QUALITY SYMBOLS	▽=0	
	∇=0	
GENERAL TOLERANCES (UNLESS SPECIFIED)	mm	INCH
	4 PLACES	± --- ± ---
	3 PLACES	± --- ± ---
	2 PLACES	± 0.2 ± ---
	1 PLACE	± 0.25 ± ---
ANGULAR ± 3 °		
DRAFT WHERE APPLICABLE MUST REMAIN WITHIN DIMENSIONS		

DIMENSION STYLE		SCALE	DESIGN UNITS	THIRD ANGLE PROJECTION
MM ONLY		4:1	METRIC	
DRAWN BY	DATE	TITLE		
DIXON LI	2006/11/16	EXTERNAL SATA PLUG		
CHECKED BY	DATE	SMT WITH SHELL		
JENNY ZENG	2006/11/16	BOTTOM MOUNT TYPE		
APPROVED BY	DATE	MOLEX INCORPORATED		
GRATE MA	2006/11/16	SD-47391-100		
MATERIAL NO.	DOCUMENT NO.	SHEET NO.		
SEE CHART		1 OF 1		