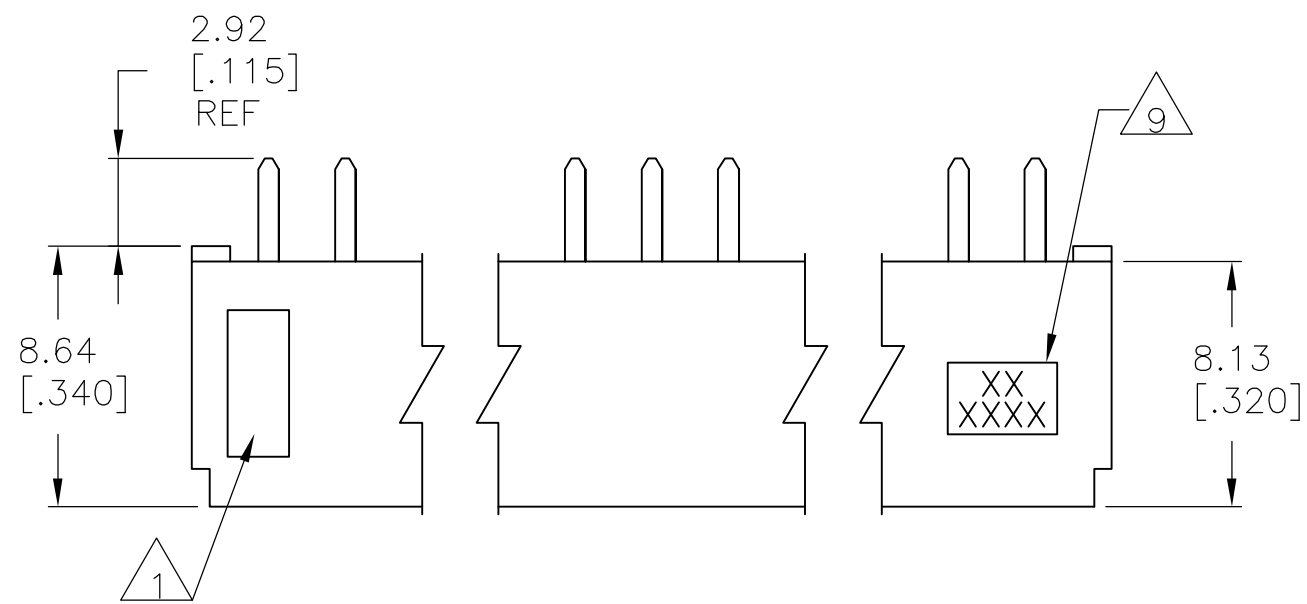
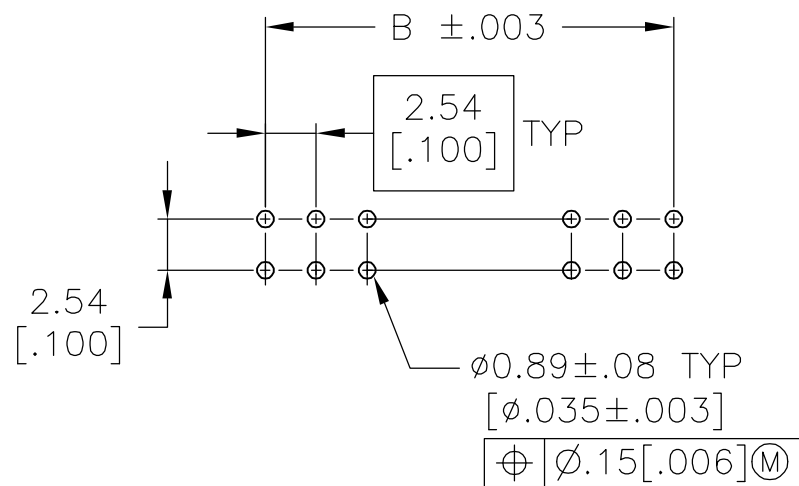
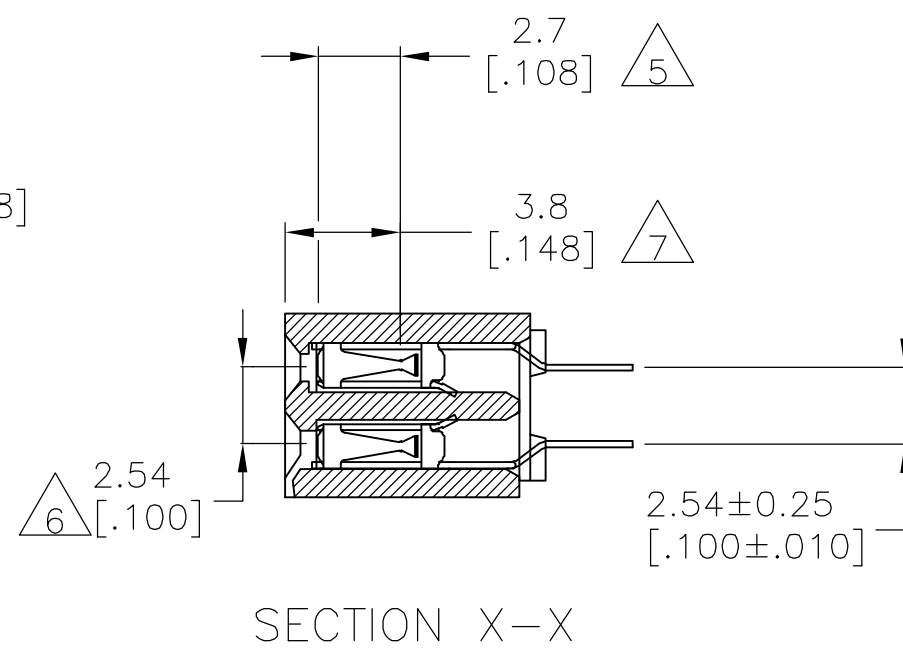
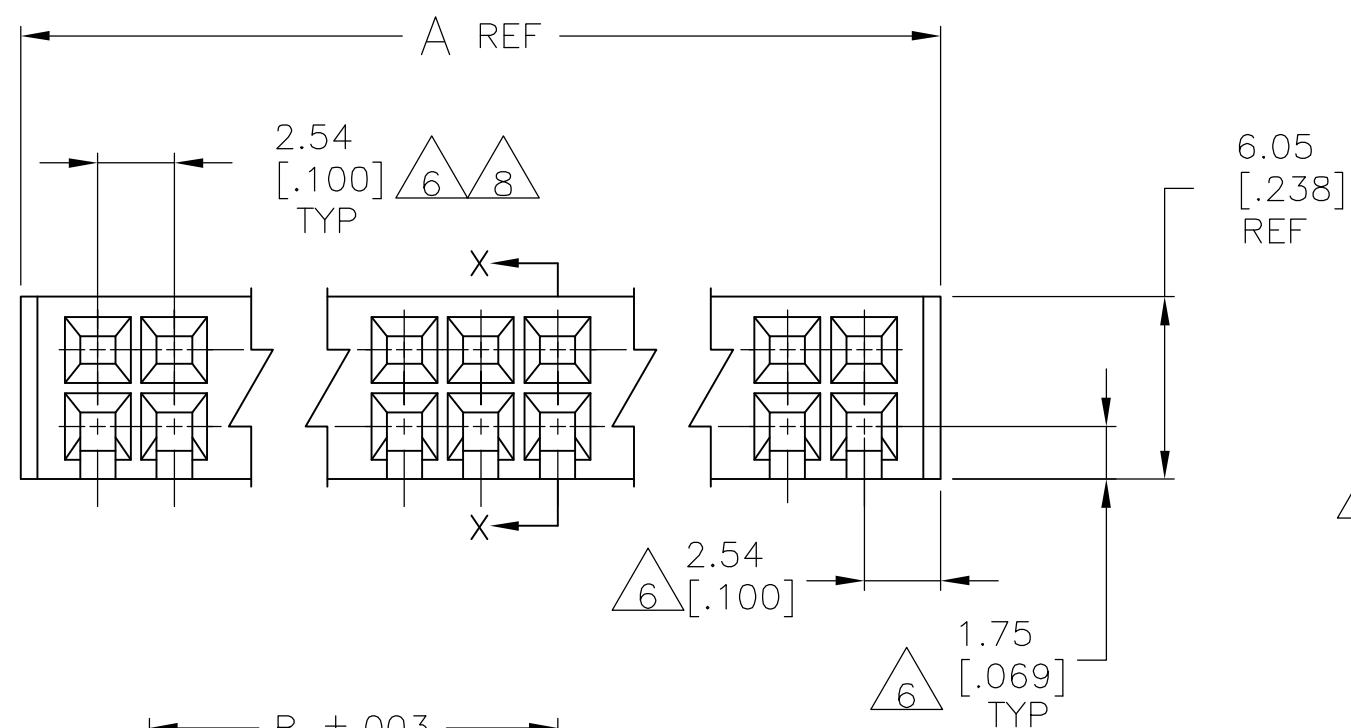


THIS DRAWING IS UNPUBLISHED. RELEASED FOR PUBLICATION  
 © COPYRIGHT BY TYCO ELECTRONICS CORPORATION. ALL RIGHTS RESERVED.

LOC	DIST	REVISIONS			
P	LTR	DESCRIPTION	DATE	DWN	APVD
AD	00	F	EC 0G3C 0104 05	08MAR05	BSV JRO



- 1 TYCO LOGO AND CSA LOGO ARE MOLDED INTO THE HOUSING.
- 2 HOUSING: FLAME RETARDANT GLASS FILLED POLYESTER, COLOR-BLACK,
- 3 CONTACT: PHOS. BRONZE
- 4 DUPLEX PLATED: .000030 GOLD IN CONTACT AREA, .000150-.000300 BRIGHT TIN-LEAD ON SOLDER LEADS, ALL OVER .000050 MIN. NICKEL.
- 5 POINT OF MEASUREMENT DIMENSION FOR PLATING THICKNESS (INSIDE CONTACT BEAMS).
- 6 THESE DIMS. PERTAIN TO CAVITY Ø'S ONLY, NOT TO CONTACT LOCATIONS
- 7 POINT OF CONTACT DIMENSION.
- 8 TOLERANCE IS NON-CUMULATIVE.
- 9 DATE CODE AND PART NUMBER ARE MARKED IN APPROXIMATE LOCATION SHOWN.
- 10 DUPLEX PLATED: .000030 GOLD IN CONTACT AREA, .000150-.000300 MATTE TIN ON SOLDER LEADS, ALL OVER .000050 MIN. NICKEL.
- 11 ROHS 2002/95/EC COMPLIANT.



RECOMMENDED P.C. BOARD LAYOUT

10	106.68 [4.200]	111.76 [4.400]	86	5-535966-1
4	106.68 [4.200]	111.76 [4.400]	86	535966-1
FINISH	B	A	NO OF POSN	PART NUMBER

THIS DRAWING IS A CONTROLLED DOCUMENT.		DWN	26APR90	Tyco Electronics Corporation	
DIMENSIONS: mm [INCHES]		KATE HELM		Harrisburg, Pa 17105-3608	
TOLERANCES UNLESS OTHERWISE SPECIFIED:		CHK DOUG SARVER	08MAY90	RCPT ASSY,MOD II,VERT MOUNT .100 X .100 SHORT-POINT OF CONTACT	
0 PLC ± -		APVD RON FELIX	08MAY90	SIZE	CAGE CODE
1 PLC ± -		PRODUCT SPEC		A2	00779
2 PLC ± .13[.005]		APPLICATION SPEC		DRAWING NO	RESTRICTED TO
3 PLC ± -				C=535966	
4 PLC ± -				SCALE	SHEET
ANGLES ± -				4:1	1 OF 1
FINISH		WEIGHT	-	REV	F
MATERIAL		CUSTOMER DRAWING			