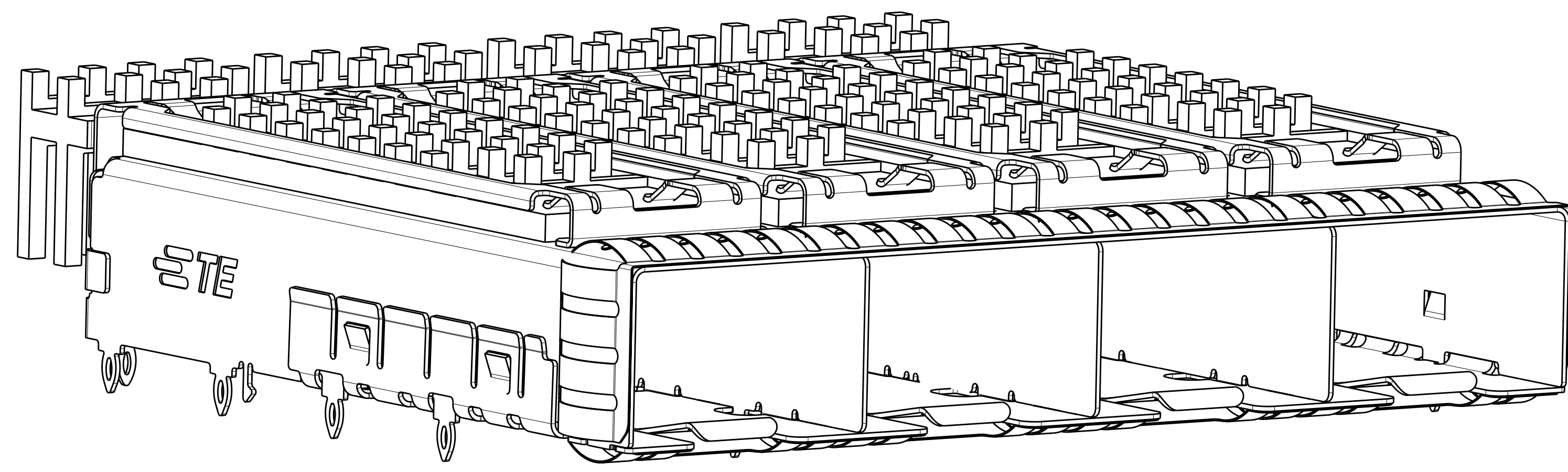
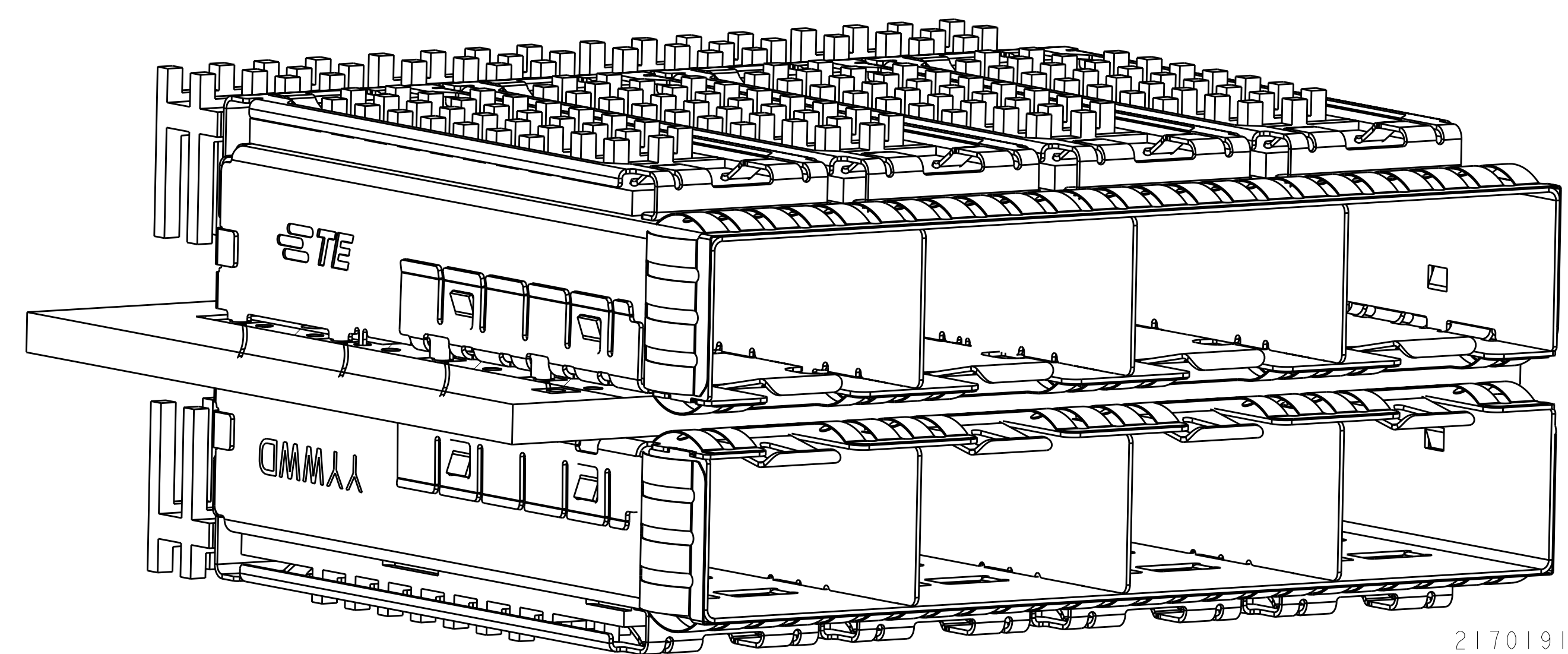
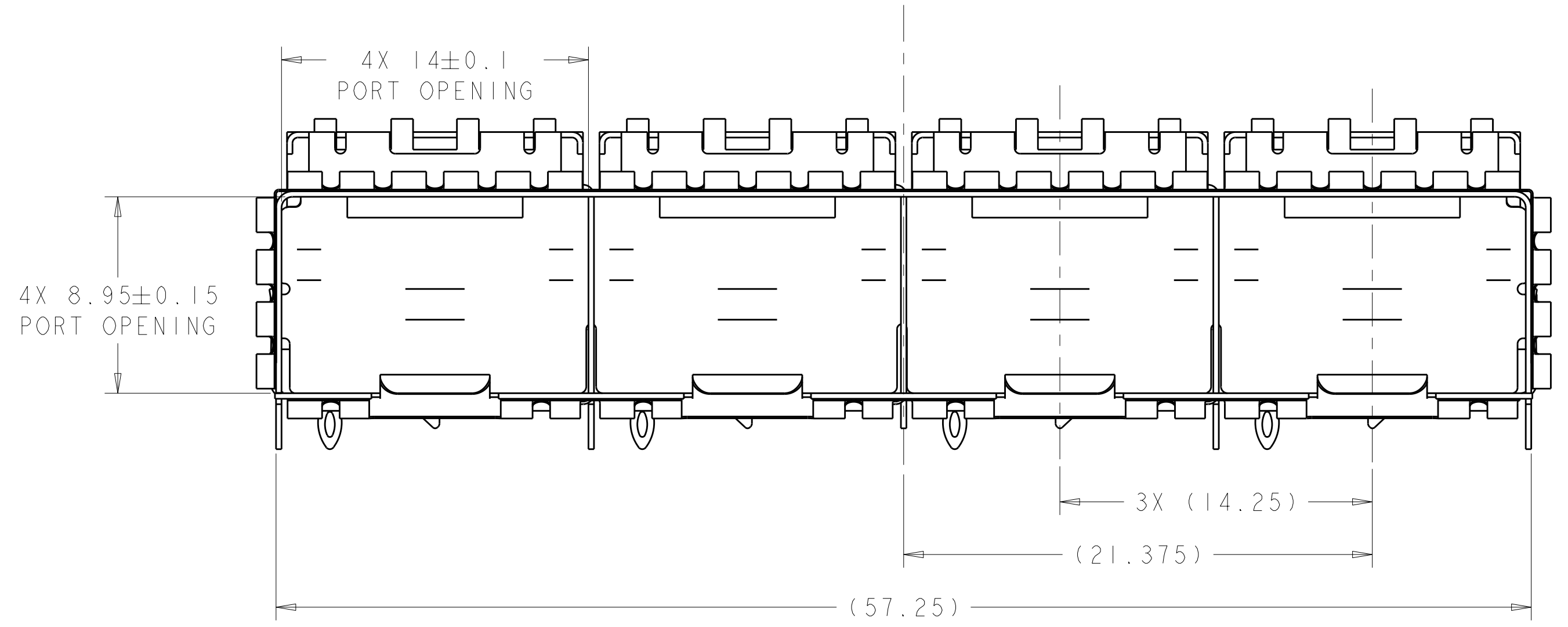
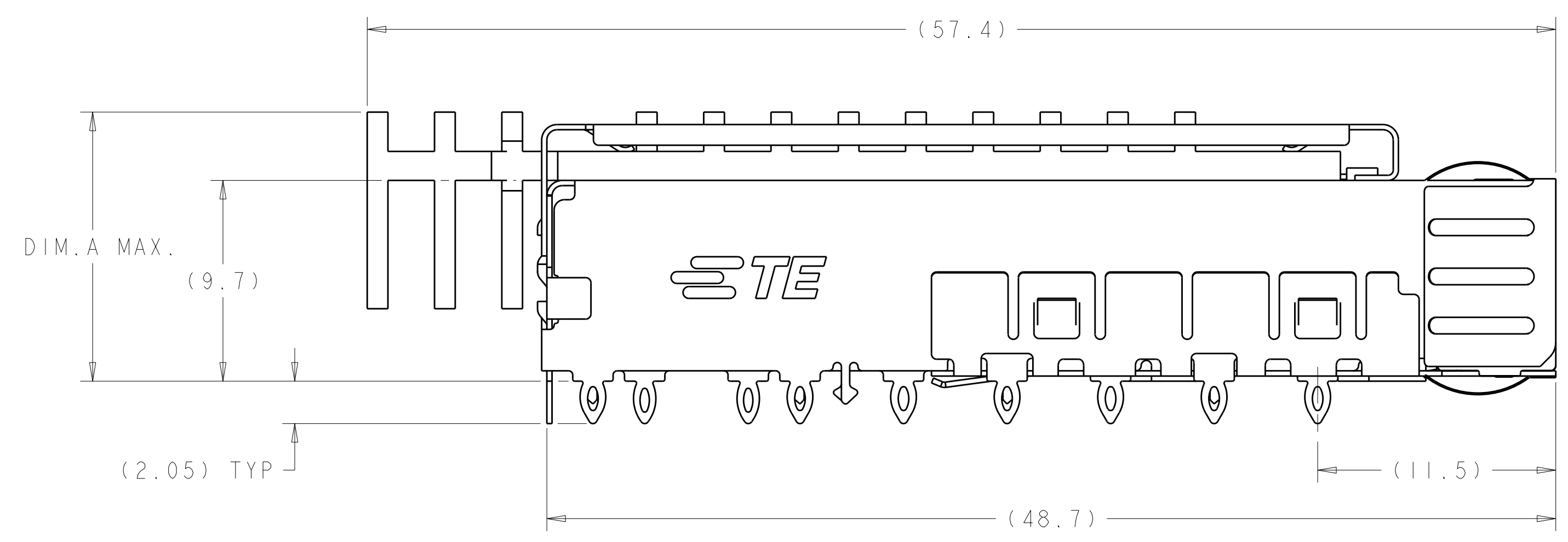


LOC	DIST	REVISIONS			
GP	00	REV	DATE	BY	APPV
		1	23NOV2011	TX	AC
		2	21DEC2011	TX	AC

- 1 MATERIAL:
 CAGE ASSEMBLY: 0.25mm THICK NICKEL SILVER ALLOY
 HEATSINK CLIP: STAINLESS STEEL
 HEATSINK: ALUMINUM
- 2 FINISH:
 SPRINGS: MINIMUM OF 0.8um TIN PLATE OVER A MINIMUM OF 0.8um NICKEL UNDERPLATE.
 NON-PLATED EDGES PERMISSIBLE.
 HEATSINK: ELECTROLESS NICKEL
 HEATSINK CLIP: PASSIVATE
- 3 PADS AND VIAS CHASSIS GROUND.
- 4 DATUM AND BASIC DIMENSION ESTABLISHED BY CUSTOMER.
- 5. MATES WITH SFP MSA COMPLIANT TRANSCEIVERS.
- 6. INTERPRETATION OF DATUM REFERENCE FRAME IN ACCORDANCE WITH SECT 4.4.1.1 OF ASME Y14.5M-1994.
- 7 REFERENCE APPLICATION SPEC. 114-13120, HOLE A, FOR RECOMMENDED DRILL HOLE DIAMETER AND PLATING THICKNESS.
- 8 REFERENCE APPLICATION SPEC. 114-13120, HOLE B, FOR RECOMMENDED DRILL HOLE DIAMETER AND PLATING THICKNESS.
- 9 HOLE PATTERN REPEATS FOR EACH PORT. SPACING BETWEEN PORTS IS 14.25mm.
- 10 MINIMUM PC BOARD THICKNESS:
 SINGLE SIDED = 1.50
 DOUBLE SIDED = 2.25
- 11. CERTAIN MATING TRANSCEIVERS MAY REQUIRE ADDITIONAL PCB THICKNESS THAT WOULD BE DETERMINED BY THE CUSTOMER.
- 12. PRODUCT COMPLIES WITH SPECIFICATION SFF-8433 IMPROVED PLUGGABLE FORM FACTOR FOR SFP+ GANGED CAGES.
- 13 DIMENSION APPLIES PRIOR TO INSERTION OF SFP MODULE



2170191-1
 FINISHED ASSEMBLY



2170191-1
 MOUNTED BELLY TO BELLY ON PCB
 SCALE 4:1

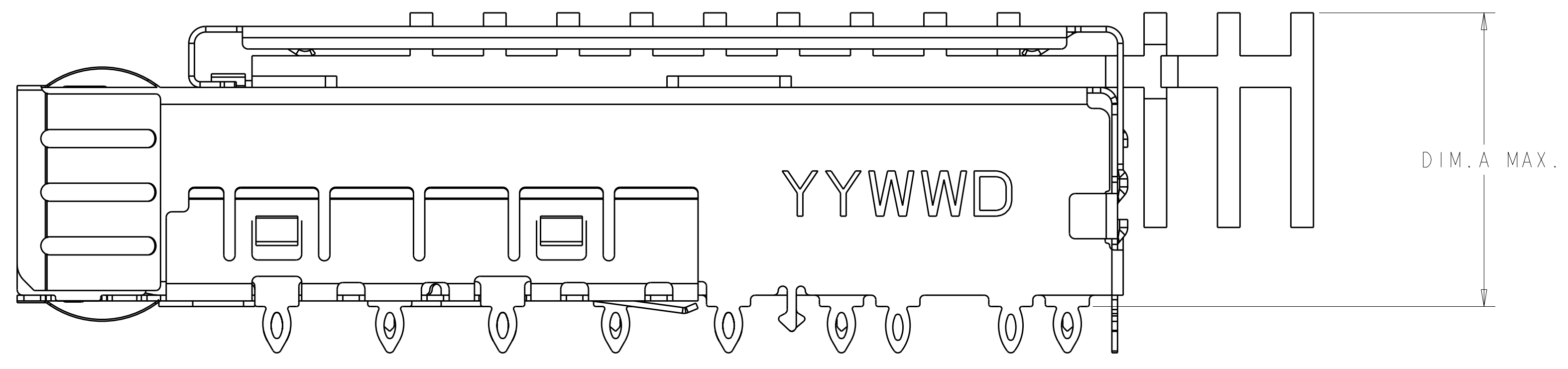
A MAX	DESCRIPTION	PART NUMBER
20.2	HEAT SINK W/ THE FIRST ROW PIN	2170191-2
13	HEAT SINK W/O THE FIRST ROW PIN	2170191-1

THIS PRINT IS
PRELIMINARY
 UNQUALIFIED PRODUCT
 CONTACT PRODUCT ENGINEERING
 BEFORE USING THIS PRINT

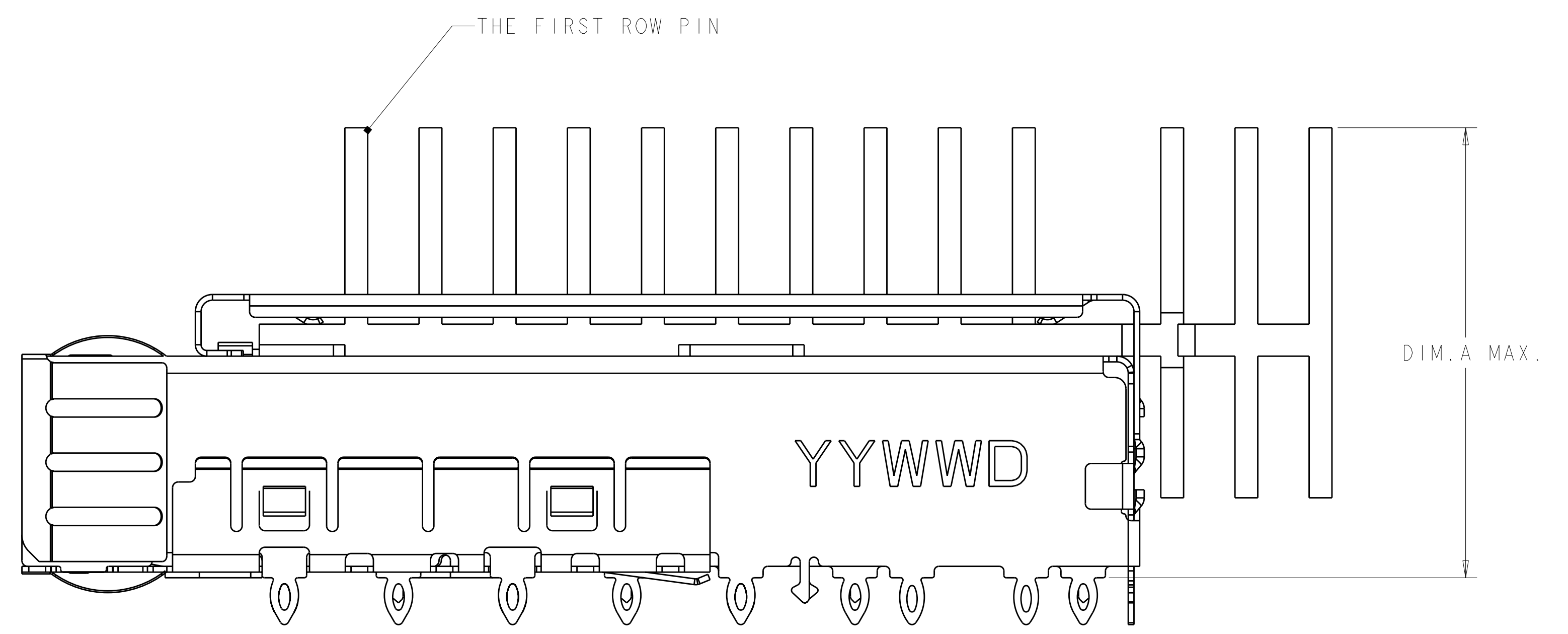
THIS DRAWING IS A CONTROLLED DOCUMENT.

DIMENSIONS:	TOLERANCES UNLESS OTHERWISE SPECIFIED:	DATE: 23NOV2011	DRN: TIM WUC
mm	9 PLC ±0.1	CHK: ALBY CAI	23NOV2011
	1 PLC ±0.1	APV: ALBY CAI	23NOV2011
	3 PLC ±0.1	NAME: SFP+ ENHANCED 1X4 CAGE ASSEMBLY	
	5 PLC ±0.1	PRODUCT SPEC: 108-2364	
	4 PLC ±0.1	APPLICATION SPEC: 114-13120	
	ANGLES ±0.1	SIZE: CAGE CODE DRAWING NO: A100779C=2170191	RESTRICTED TO:
MATERIAL:	FINISH: ±1°	WEIGHT:	
		CUSTOMER DRAWING	SCALE: 5:1 SHEET 1 OF 5 REV 2

LOC	DIST	REVISIONS			
GP	00	REV	DATE	BY	APPD
-	-	SEE SHEET 1	-	-	-



2170191-1 AS SHOWN
 HEAT SINK W/O THE FIRST ROW PIN

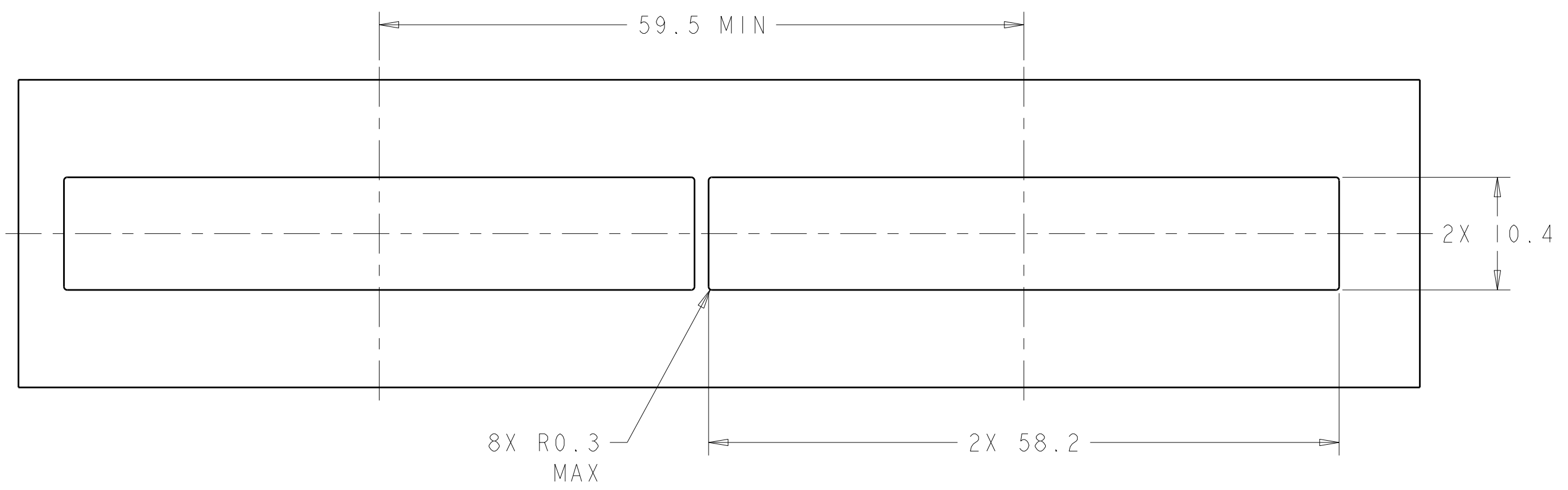


2170191-2 AS SHOWN

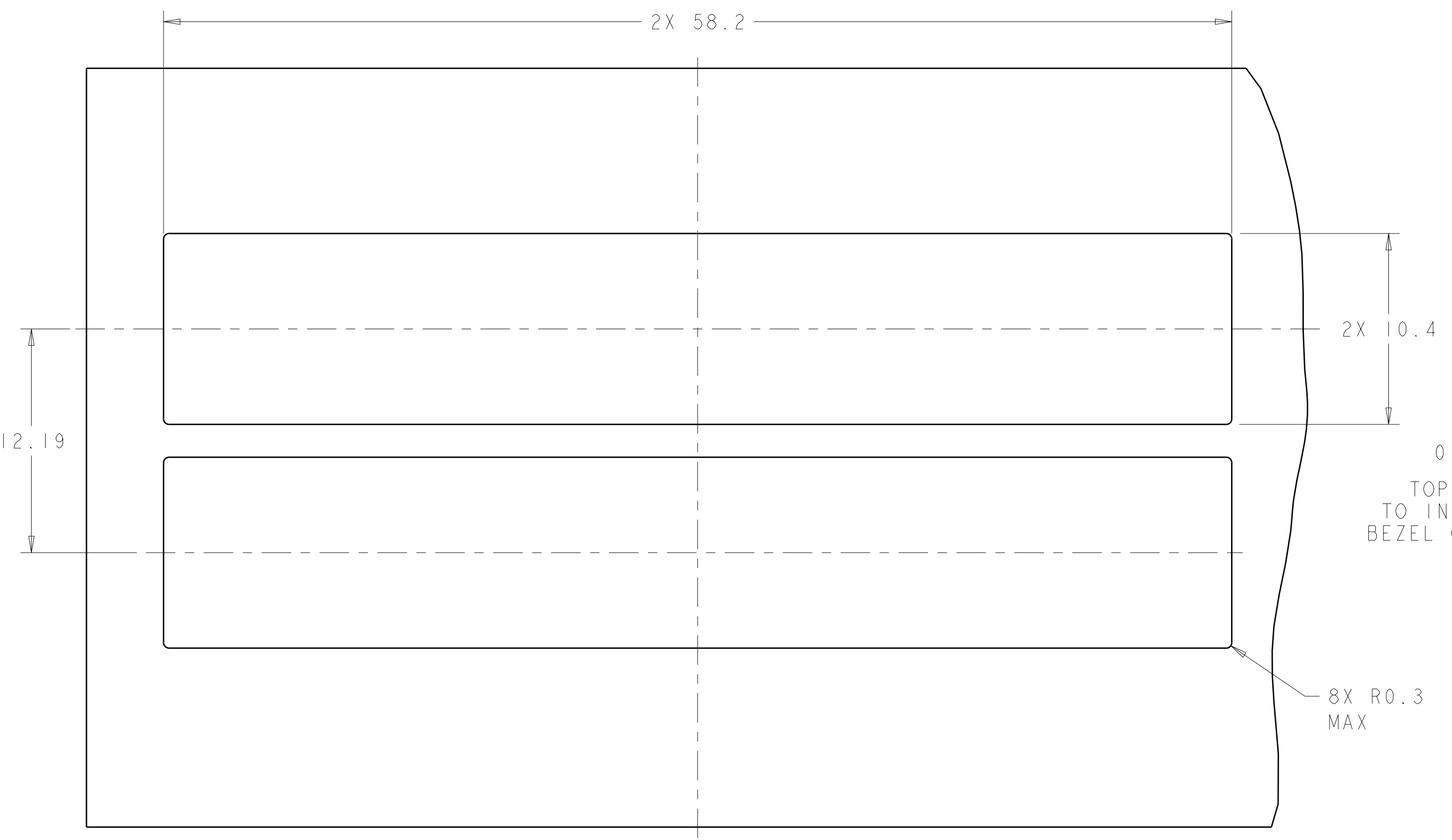
THIS DRAWING IS A CONTROLLED DOCUMENT.		DWN: TIM_XUE 23NOV2011 CHK: ALEX_CAI 23NOV2011 APVD: ALEX_CAI 23NOV2011	TE Connectivity
DIMENSIONS: mm	TOLERANCES UNLESS OTHERWISE SPECIFIED: 9 PLC ±0.1 1 PLC ±0.1 2 PLC ±0.1 3 PLC ±0.1 4 PLC ±0.1 ANGLES ±1°	NAME: SFP+ ENHANCED 1X4 CAGE ASSEMBLY PRESS FIT, EXTERNAL EMI SPRINGS WITH HEATSINK PRODUCT SPEC: 108-2364 APPLICATION SPEC: 114-13120	
MATERIAL: FINISH	WEIGHT: - CUSTOMER DRAWING	SIZE: A100779 CAGE CODE: C=2170191	RESTRICTED TO: - SCALE: 5:1 SHEET: 2 OF 5 REV: 2

LOC	DIST	REV	DATE	BY	APPD
GP	00				

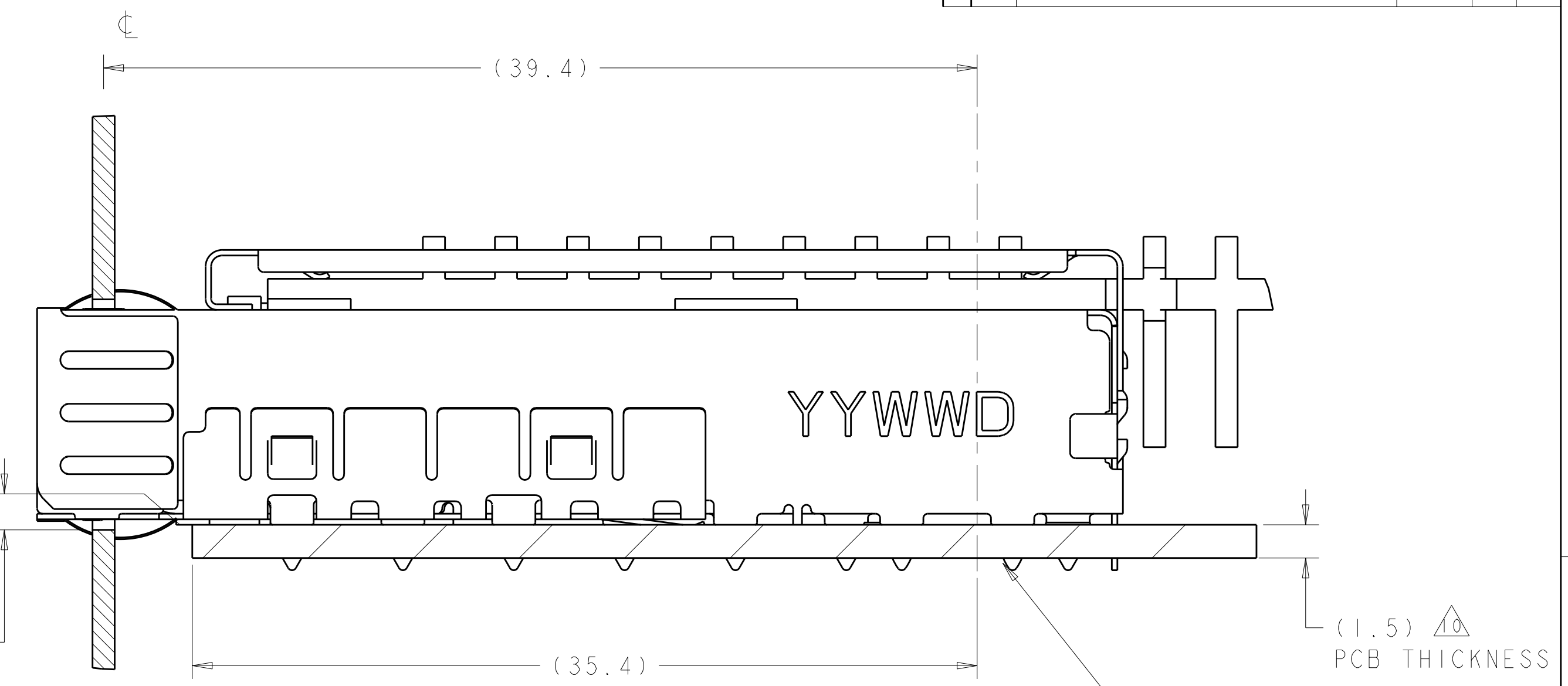
REV	DESCRIPTION	DATE	BY	APPD
-	SEE SHEET 1	-	-	-



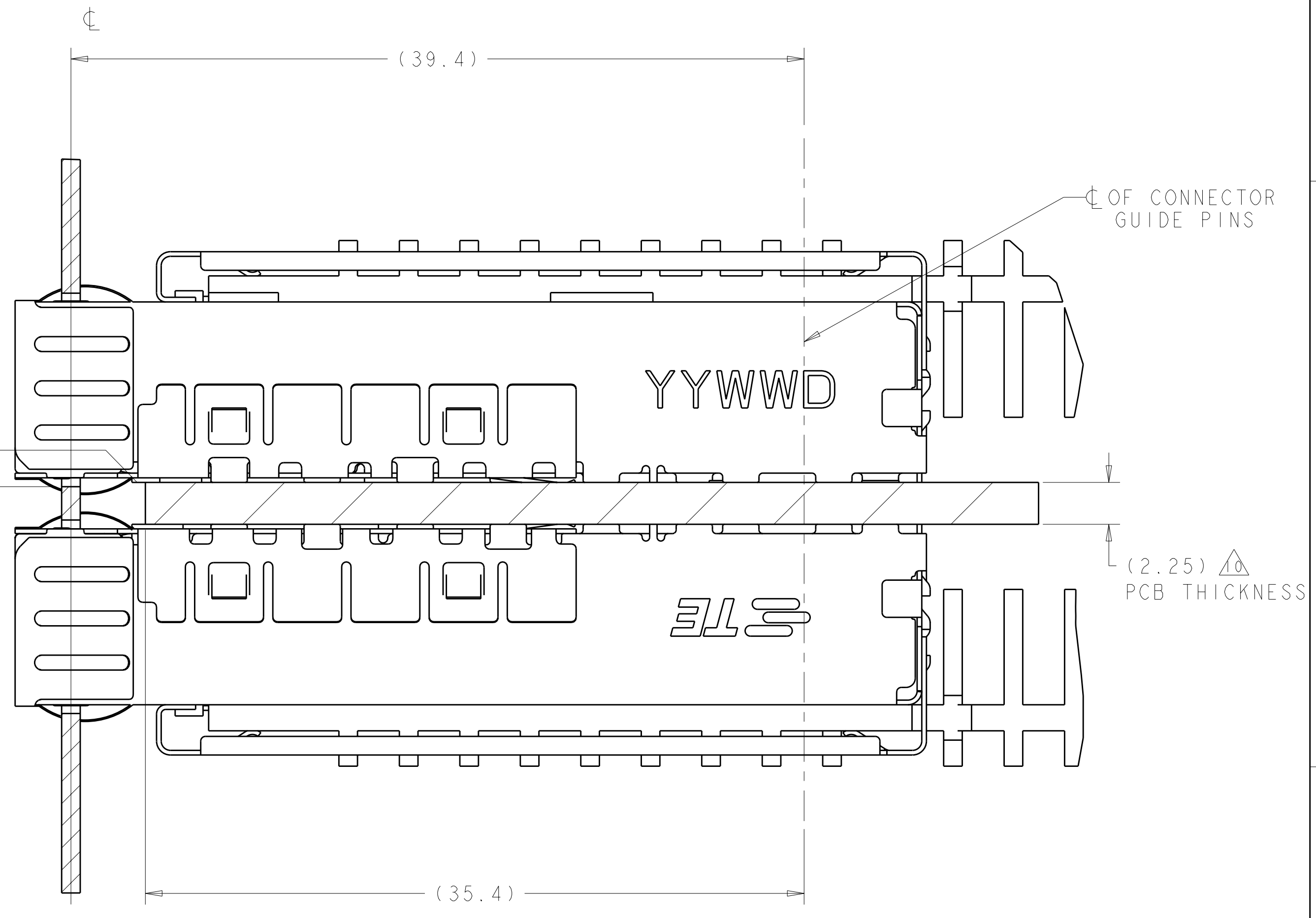
RECOMMENDED BEZEL CUT-OUT
SINGLE SIDED APPLICATIONS
SCALE 5:2



RECOMMENDED BEZEL CUT-OUT
BELLY TO BELLY APPLICATIONS



2149730
MOUNTED ON PC BOARD
SHOWN THRU RECOMMENDED BEZEL



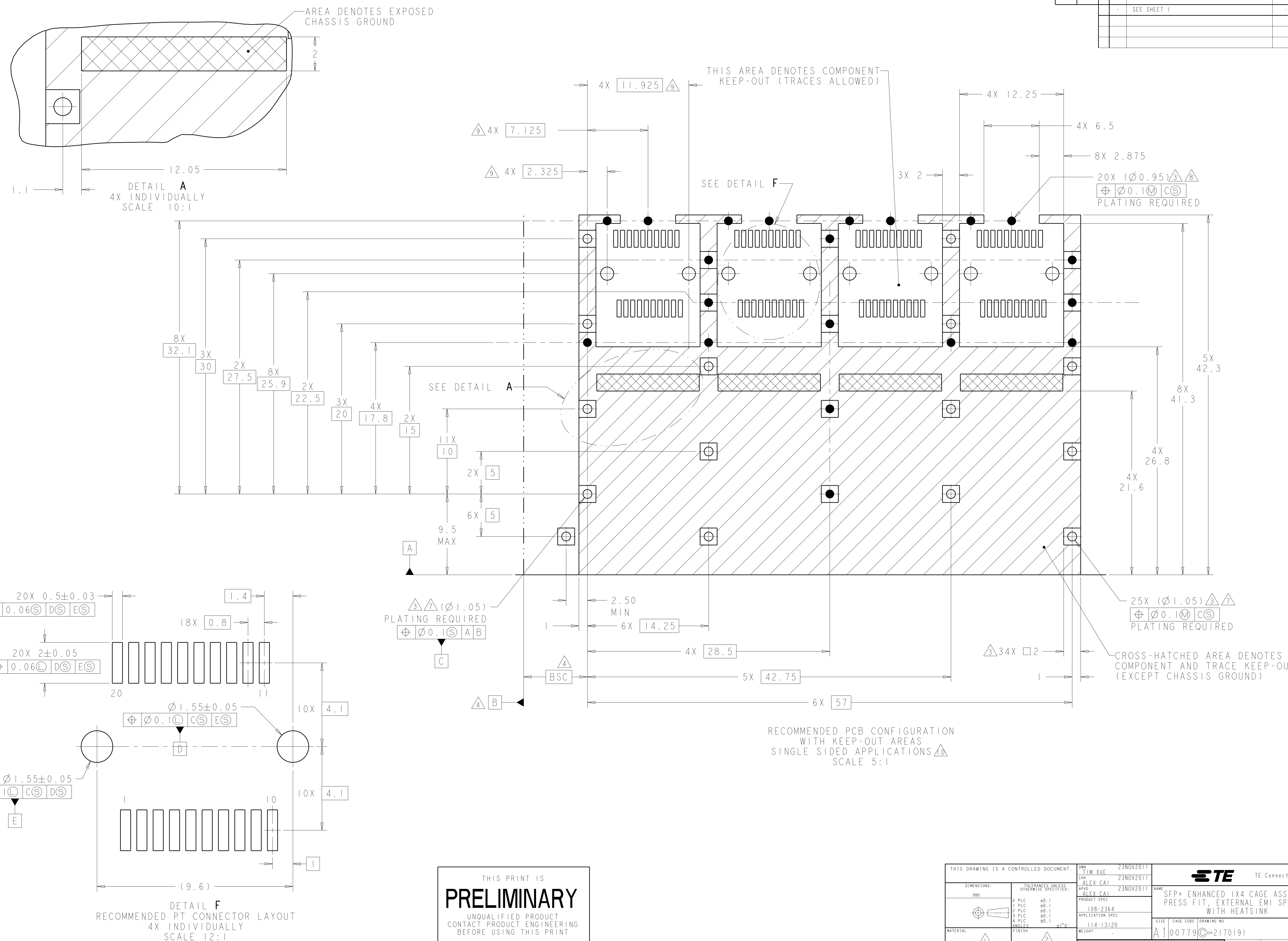
2149730
MOUNTED BELLY TO BELLY ON PC BOARD
SHOWN THRU RECOMMENDED BEZEL

THIS PRINT IS
PRELIMINARY
UNQUALIFIED PRODUCT
CONTACT PRODUCT ENGINEERING
BEFORE USING THIS PRINT

THIS DRAWING IS A CONTROLLED DOCUMENT.		DRN	TIM_XUE	23NOV2011
DIMENSIONS:		CHK	ALEX_CAI	23NOV2011
mm	TOLERANCES UNLESS OTHERWISE SPECIFIED:	APVD	ALEX_CAI	23NOV2011
	9 PLC	PRODUCT SPEC		
	1 PLC	108-2364		
	2 PLC	APPLICATION SPEC		
	3 PLC	114-13120		
	4 PLC	WEIGHT		
	ANGLES			
	FINISH			
MATERIAL				

STE		TE Connectivity	
NAME		SFP+ ENHANCED 1X4 CAGE ASSEMBLY	
APPLICATION SPEC		PRESS FIT, EXTERNAL EMI SPRINGS	
SIZE		WITH HEATSINK	
CAGE CODE	DRAWING NO	RESTRICTED TO	
A100779	C=2170191		
CUSTOMER DRAWING	SCALE 5:1	SHEET 3 OF 5	REV 2

LOC	DIST	REVISIONS			
GP	00	REV	DATE	DWN	APVD
		1	SEE SHEET 1		

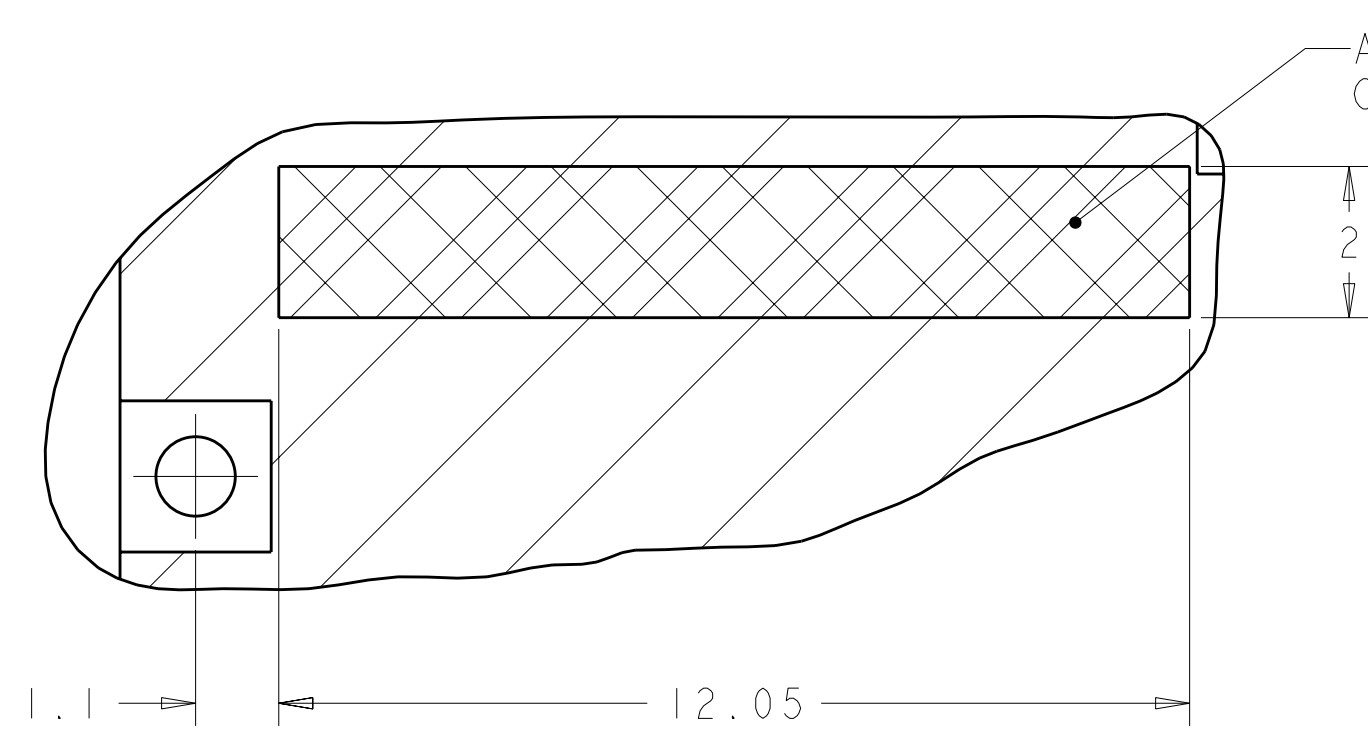


THIS PRINT IS
PRELIMINARY
UNQUALIFIED PRODUCT
CONTACT PRODUCT ENGINEERING
BEFORE USING THIS PRINT

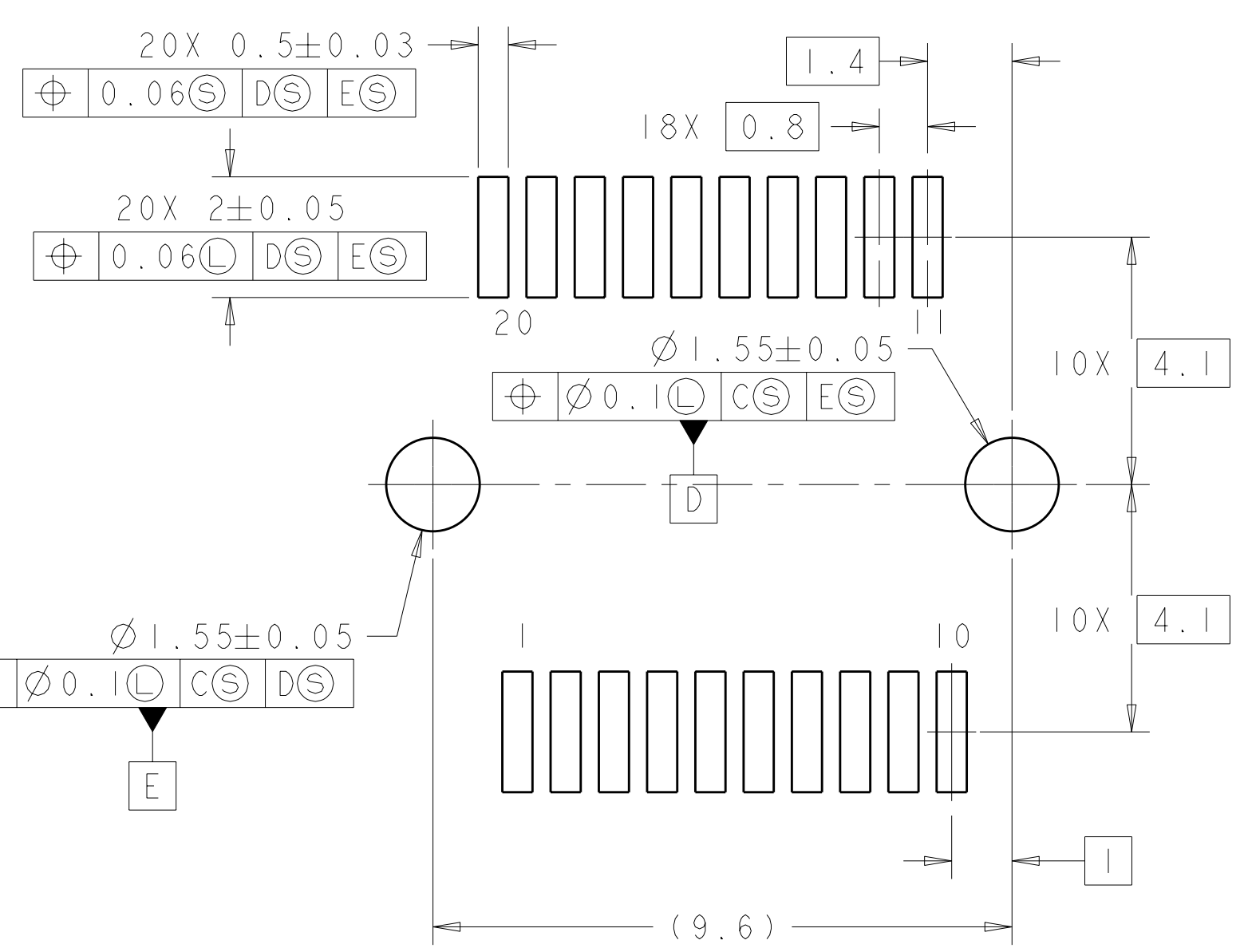
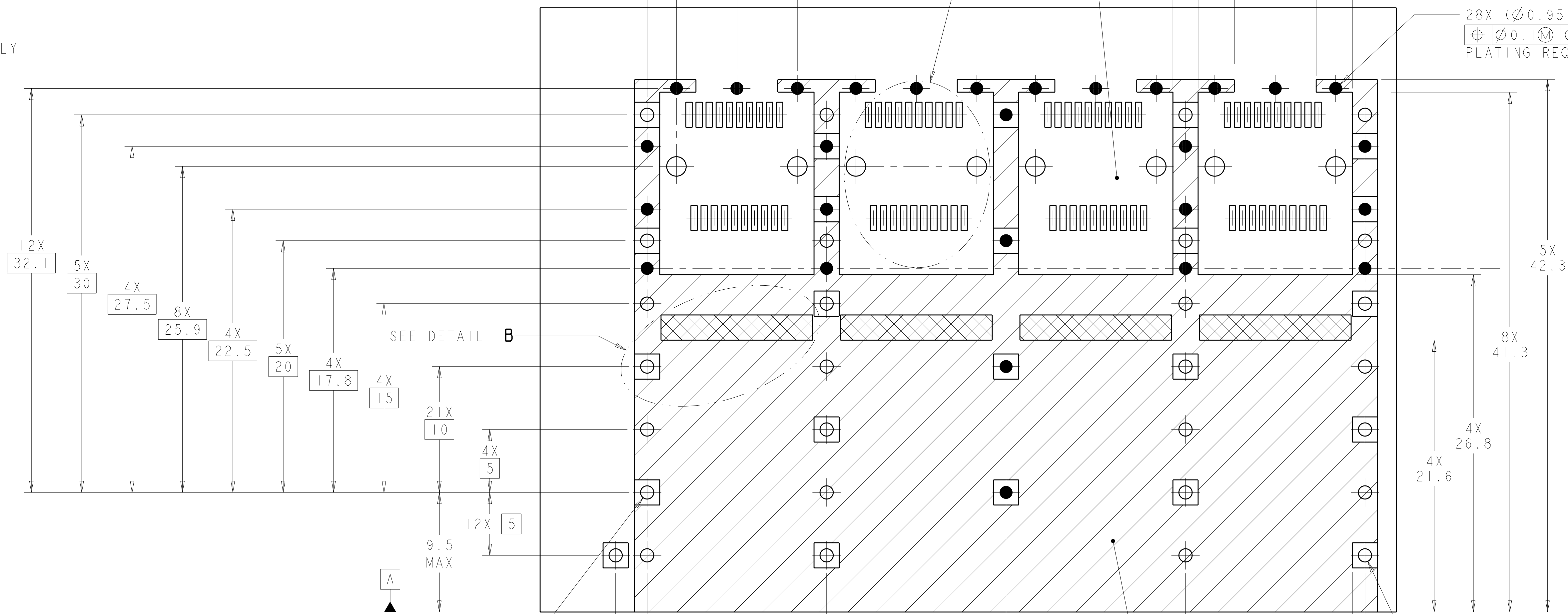
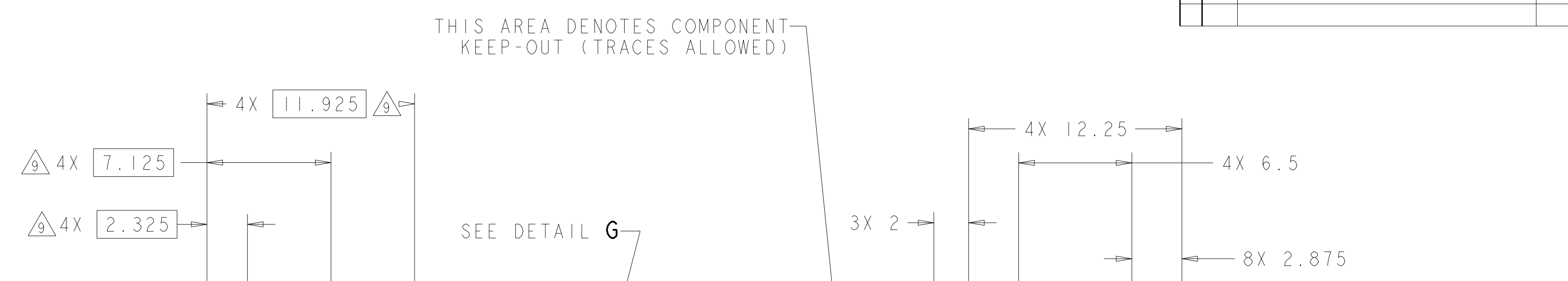
THIS DRAWING IS A CONTROLLED DOCUMENT.		DRN	TIM_XUE	23NOV2011
DIMENSIONS:		CHK	ALEX_CAI	23NOV2011
mm	TOLERANCES UNLESS OTHERWISE SPECIFIED:	APVD	ALEX_CAI	23NOV2011
Ø	9 PLC ±0.1	NAME		
□	1 PLC ±0.1	SFP+ ENHANCED 1X4 CAGE ASSEMBLY		
∠	5 PLC ±0.1	PRESS FIT, EXTERNAL EMI SPRINGS		
∠	4 PLC ±0.1	WITH HEATSINK		
∠	ANGLES ±0.1	PRODUCT SPEC	108-2364	SIZE CAGE CODE DRAWING NO. RESTRICTED TO
MATERIAL	FINISH	APPLICATION SPEC	114-13120	A100779C=2170191
∠	∠	WEIGHT		SCALE SHEET OF REV
CUSTOMER DRAWING		5:1 4 5 2		

LOC	DIST	REV	DATE	BY	APPD
GP	00				

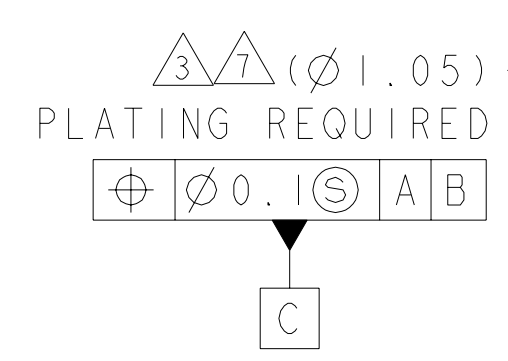
REVISIONS		DATE	BY	APPD
1	SEE SHEET 1			



DETAIL B
4X INDIVIDUALLY
SCALE 10:1



DETAIL G
RECOMMENDED PT CONNECTOR LAYOUT
8X INDIVIDUALLY
SCALE 10:1



RECOMMENDED PCB CONFIGURATION WITH KEEP-OUT AREAS BELLY TO BELLY APPLICATIONS SCALE 5:1

CROSS-HATCHED AREA DENOTES COMPONENT AND TRACE KEEP-OUT (EXCEPT CHASSIS GROUND)

THIS PRINT IS
PRELIMINARY
UNQUALIFIED PRODUCT
CONTACT PRODUCT ENGINEERING
BEFORE USING THIS PRINT

THIS DRAWING IS A CONTROLLED DOCUMENT.		DWN: TIM_XUE 23NOV2011		TE Connectivity	
DIMENSIONS: mm		CHK: ALEX_CAI 23NOV2011			
TOLERANCES UNLESS OTHERWISE SPECIFIED:		APVD: ALEX_CAI 23NOV2011		NAME: SFP+ ENHANCED 1X4 CAGE ASSEMBLY PRESS FIT, EXTERNAL EMI SPRINGS WITH HEATSINK	
9 PLC ±0.1		PRODUCT SPEC		SIZE: CAGE CODE: DRAWING NO: RESTRICTED TO	
1 PLC ±0.1		108-2364		A100779C-2170191	
5 PLC ±0.1		APPLICATION SPEC		SCALE: 5:1 SHEET 5 OF 5 REV 2	
4 PLC ±0.1		WEIGHT			
ANGLES ±1°		CUSTOMER DRAWING			