

NOTES:

1.0 MATERIALS:

- 1.1 HOUSING AND COUPLING NUT: STAINLESS STEEL PER QQ-S-764 AND ASTM-A-582, TYPE 303.
- 1.2 CENTER CONTACT: BERYLLIUM COPPER ROD ALLOY C172, PER QQ-C-530.
- 1.3 DIELECTRIC: PTFE FLUOROCARBON PER MIL-P-19468 AND L-P-403

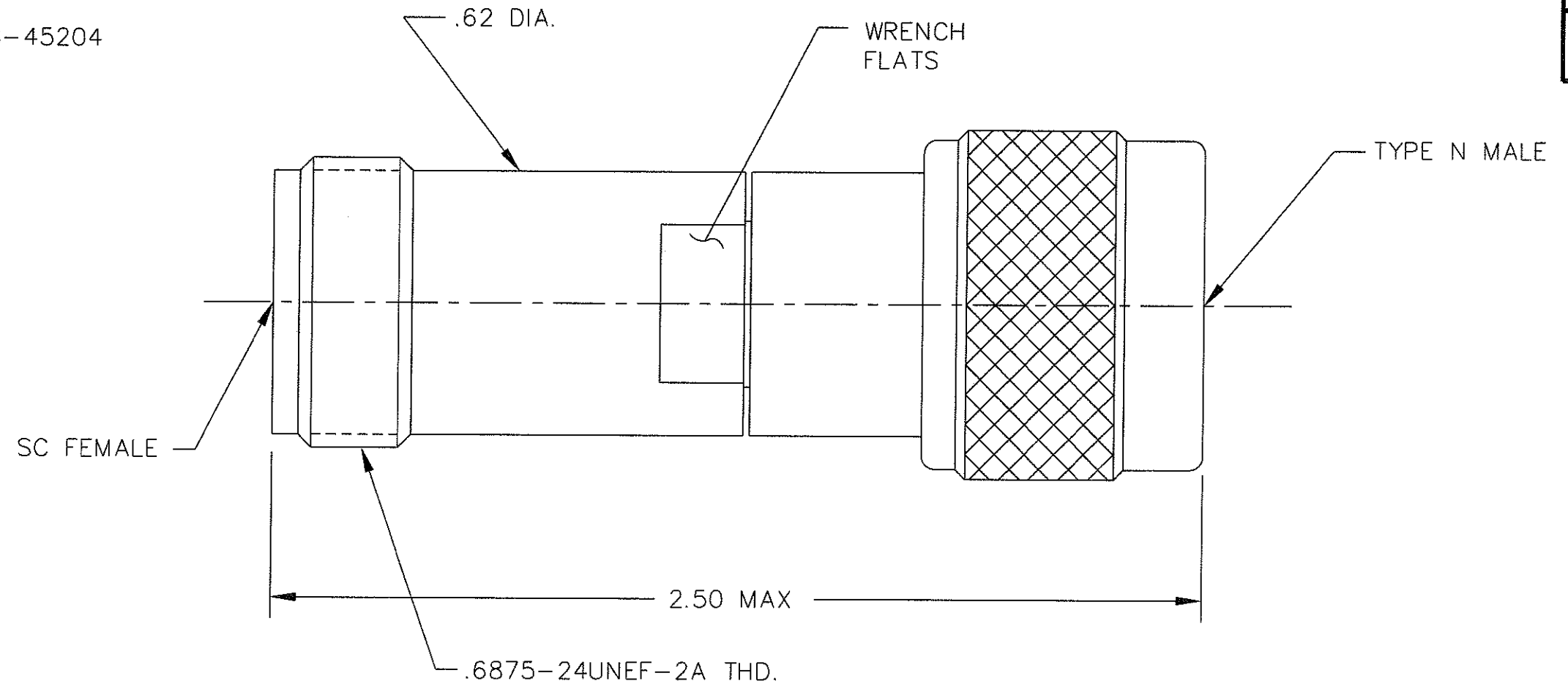
2.0 PLATING:

- 2.1 HOUSING AND COUPLING NUT: PASSIVATED PER QQ-P-35 AND MIL-F-14072.
- 2.2 CENTER CONTACT: GOLD PER MIL-G-45204 TYPE II, CLASS 2

3.0 ELECTRICAL SPECIFICATIONS:

- 3.1 FREQUENCY RANGE: DC to 8.0 GHz
- 3.2 VSWR: 1.10:1 MAX.

MODEL NUMBER
ADT-2638-NM-SCF-02
REV.
-2



REV.	DESCRIPTION	DATE
-	RELEASED	12/12/90
-1	UPDATE MODEL NO.	2/21/91
-2	ADDED TITLEBLOCK	3/10/05

UNLESS OTHERWISE NOTED DIMENSIONS ARE IN INCHES AND TOLERANCES ARE: 3 PLACE DECIMALS ±.005 2 PLACE DECIMALS ±.02 FRACTIONS ±1/64 PARALLELITY: T.I.R. _____ FLATNESS: T.I.R. _____ CONCENTRICITY: T.I.R. _____ ANGLES AND PERPENDICULARITY: ±1'	FSCM NO. 34078	MIDWEST MICROWAVE		
	NOTICE: The information contained in this drawing is proprietary and must not be used without the permission of Midwest Microwave		TITLE ADAPTER	
	DRAWN/DATE A.BEATTY 12/11/90	ENG./DATE R.FAWSON 12/12/90	DRAWING NUMBER ADT-2638-NM-SCF-02	
	CHECKED/DATE D.SIEWERT 12/12/90	APPROVED/DATE	SCALE: 3=1	SHEET 1 of 1