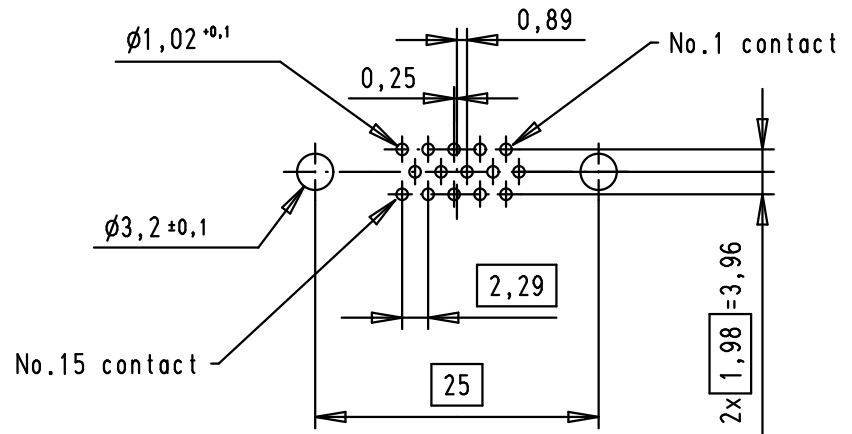
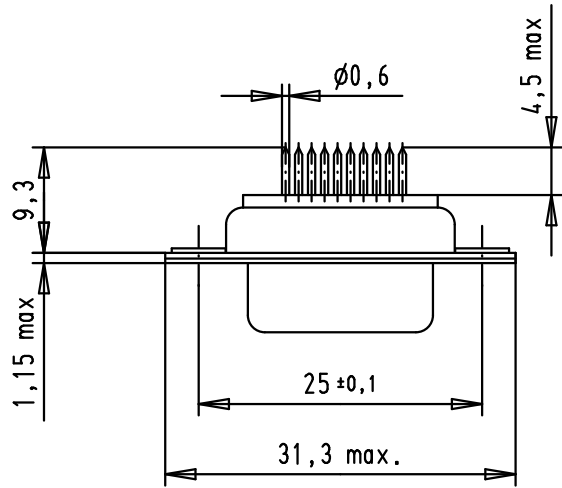




Printed layout component side



A

						Dat.	Name	 All Dim. in mm Orig. Size DIN A 4	Dsub, 15 poles, female, straight solder pins, through holes	Maßstab/ Scale 1.5:1
					Detail.	16-SEP-02	CV			
					Insp.					
			36183	13-OCT-10	BH	Stand.				
09561515500	0.76 µm Au		31352	16-OCT-02	S.H.	HARTING EURL F-95972 Paris			TB 0956151x500	Blatt/ Page 1 /
09561517500	3		31064	16-SEP-02	CV					
Part number	Performance level		Mod.	Dat.	Name					