

DRAWING MADE IN THIRD ANGLE PROJECTION

3

2

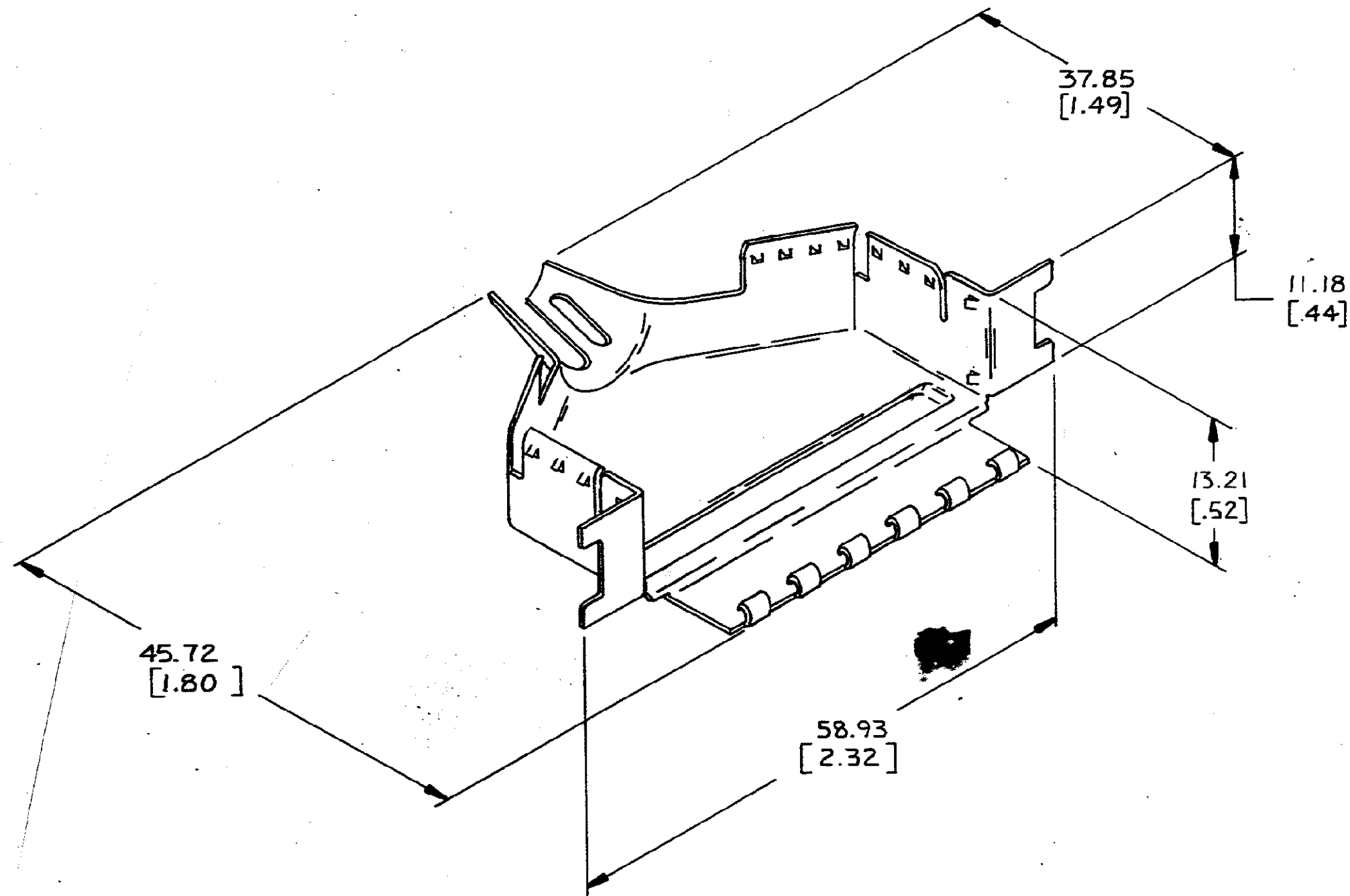
1

LOC DIST  
AA 15/2

THIS DRAWING IS UNPUBLISHED. RELEASED FOR PUBLICATION 19  
 © COPYRIGHT 19 BY AMP INCORPORATED, HARRISBURG, PA. ALL INTERNATIONAL RIGHTS RESERVED. AMP PRODUCTS MAY BE COVERED BY U.S. AND FOREIGN PATENTS AND/OR PATENTS PENDING.

REVISIONS				DATE	APPROVED
P	F	ZONE	LTR	DESCRIPTION	
A				REVISED PER ECN AA-450	1-12-81 PJC AH

1. DIMENSIONS IN BRACKETS [ ] ARE IN INCHES.
2. CABLE RANGE: .250-.500 DIA



554254-1 AS SHOWN

UNLESS OTHERWISE SPECIFIED DIMENSIONS ARE IN MM. TOLERANCES ON: DECIMALS .05 ANGLES 1°		CONTRACT NO	AMP INCORPORATED Harrisburg, Pa. 17105	
MATERIAL	CARBON STEEL	DR <i>J. Dunbar</i> 9-9-83	NAME SHIELD, INSIDE, EMI, 180°, PLUG, 36 POSITION, BAIL LOCK	
FINISH	BRIGHT NICKEL PLATE	CHK <i>MD</i> 9-9-83	SIZE	C 00779
		APPD <i>W. J. P. 2/13/83</i>	FSCM NO	00779
		APPD <i>W. J. P. 9/13/83</i>	DRAWING NO	554254
		DSGN APPD	SCALE	2:1
		OTHER APPD	SHEET 1 OF 1	

554254

CUSTOMER DRAWING