



# PRODUCT DATASHEET

## Tina series

last update 15/11/2012

### DETAILS

<b>Product Number</b>	FA12038_TINA-RS
<b>Family</b>	Tina
<b>Type</b>	Assembly
<b>Color</b>	white
<b>Diameter</b>	16,1 mm
<b>Height</b>	9,4 mm
<b>Style</b>	round
<b>Optic Material</b>	PMMA
<b>Holder Material</b>	
<b>Fastening</b>	pin, tape
<b>Status</b>	production ready
<b>ROHS Compliant</b>	Yes
<b>Date Updated</b>	15/11/2012



### OPTICAL PROPERTIES

LED	Viewing Angle	Light Beam	Efficiency	cd/lm	Connector
LUXEON Rebel ES	17 deg	Real spot	90 %	7.830	-
LUXEON A	16 deg	Real spot	91 %	-	-

D

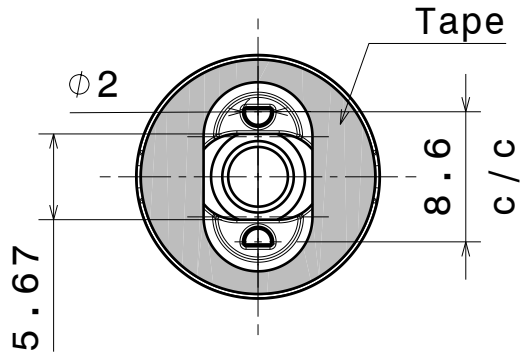
C

B

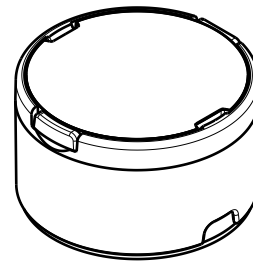
A

4

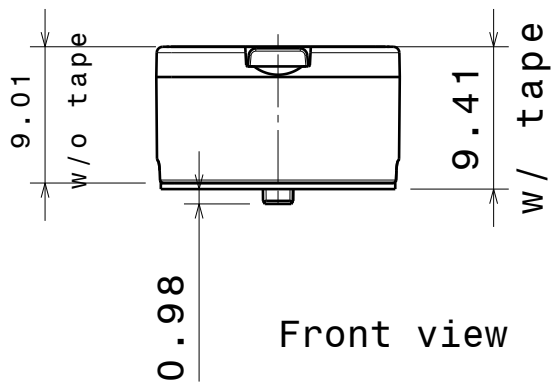
4



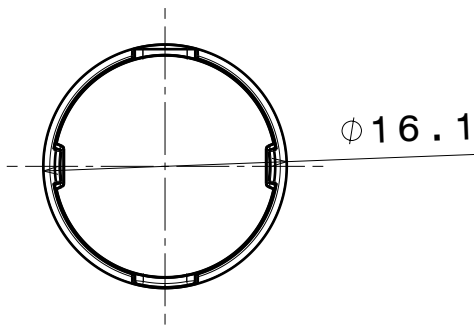
Bottom view



Isometric view



Front view



Top view

Materials  
 Lens: PMMA  
 Holder: PC  
 Tape: PU Foam

3

3

2

2

1

1

This drawing is our property.  
 It can't be reproduced  
 or communicated without  
 our written agreement.

**LEDiL** Ledil Oy  
 Salorankatu 10  
 FIN 24240 SALO  
 Finland

DRAWING TITLE Mechanical Drawing

DRAWN BY as  
 DATE 10.9.2012

TINA-RE

CHECKED BY sn  
 DATE -

SIZE A4 PART NUMBER TINA-RE REV 001

DESIGNED BY -  
 DATE -

SCALE 2:1 WEIGHT 1,46 g SHEET 1/1

D

A

**NOTE: The typical divergence will be changed by different color, chip size and chip position tolerance. The typical total divergence is the full angle measured where the luminous intensity is half of the peak value.**