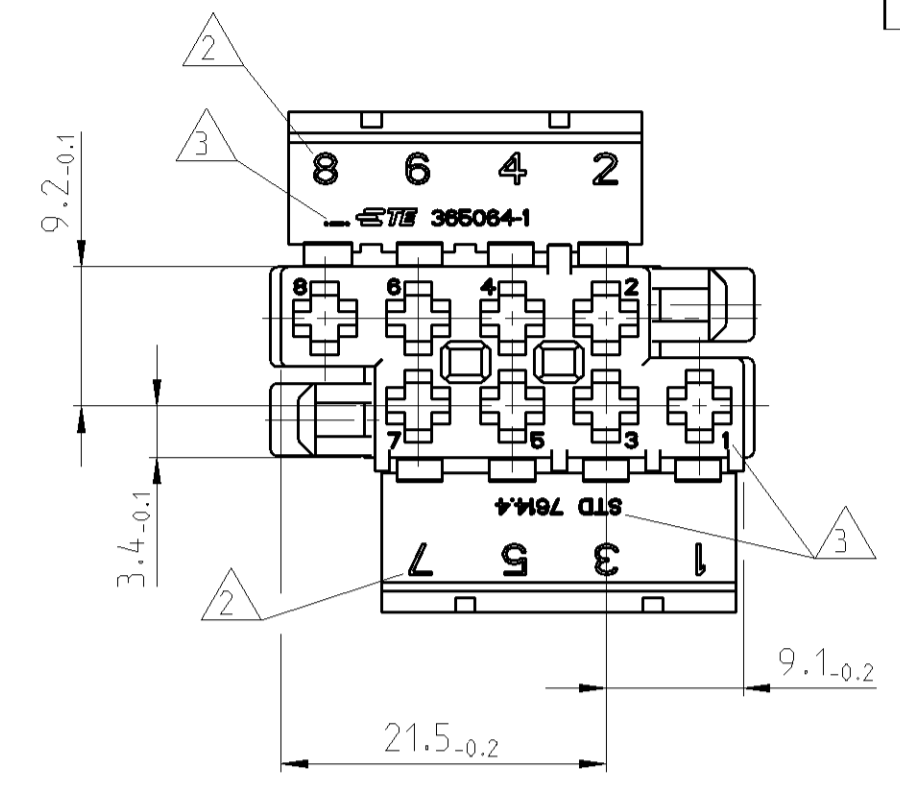
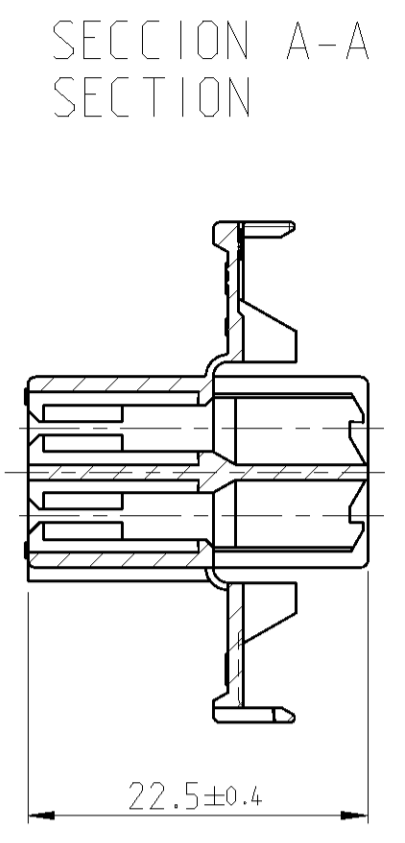
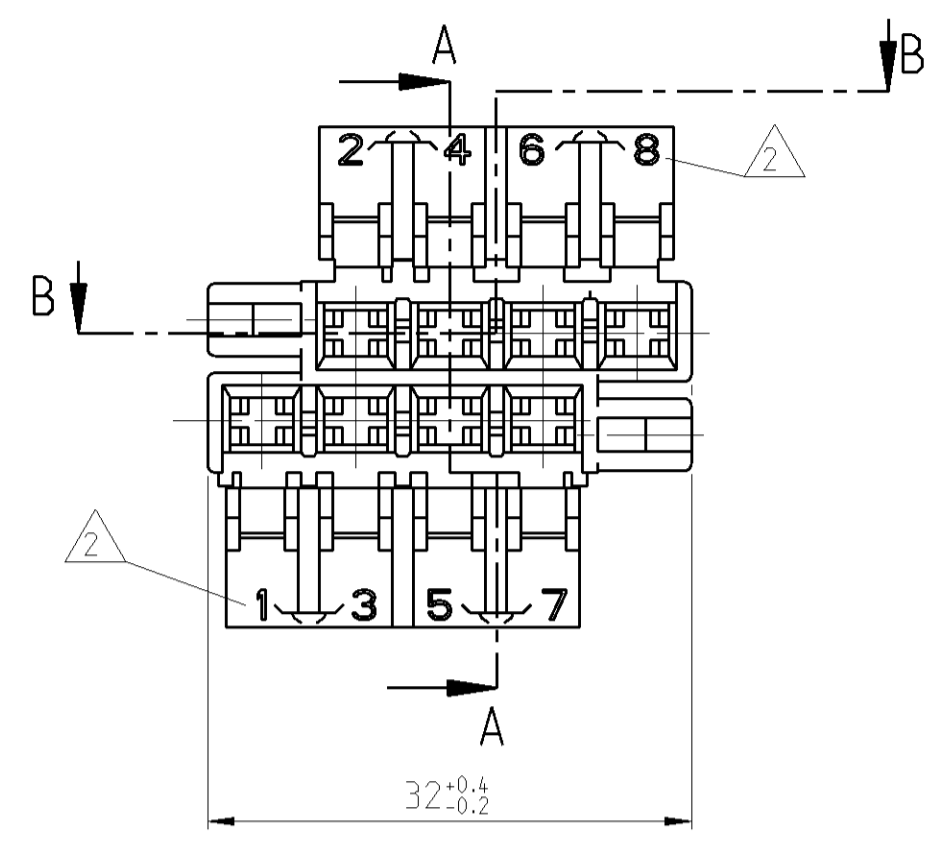
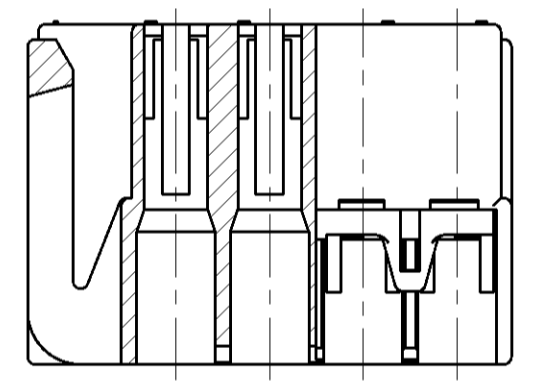


THIS DRAWING IS UNPUBLISHED. RELEASED FOR PUBLICATION 2011
 © COPYRIGHT 2011 ALL RIGHTS RESERVED.

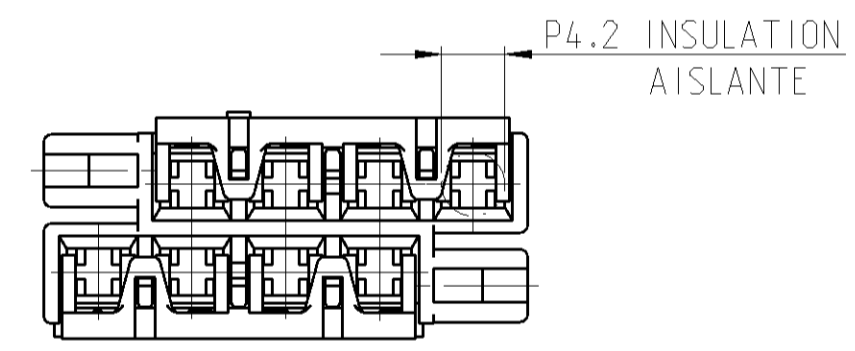
LOC	DIST	REVISIONS			
P	LTR	DESCRIPTION	DATE	DWN	APVD
AL	2				
	E1	ECR 12-004643	17APR2012	XP	RS



SECCION B-B SECTION

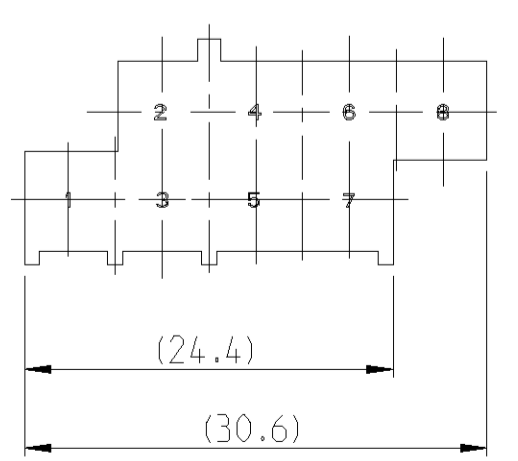


DETALLE CAJA CON BISAGRA CERRADA HOUSING WITH CLOSED FLAP

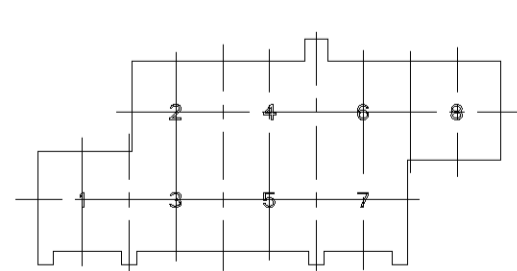


- MATERIAL Y COLORES HAN DE ESTAR LIBRES DE CADMIO
MATERIAL AND COLORS ARE FREE OF CADMIUM
- ALTURA LETRA 2
CHARACTER HEIGHT 2
- ALTURA LETRA 1
CHARACTER HEIGHT 1
- USAR CON 365063
FITTING WITH 365063
- LAS PIEZAS DEBEN IR EMPAQUETADAS HERMETICAMENTE Y SU CONTENIDO DE HUMEDAD DEBE SER 2.5±1%
PARTS MUST BE AIR TIGHT PACKAGED, MOISTURE CONTENT MUST BE 2.5±1%

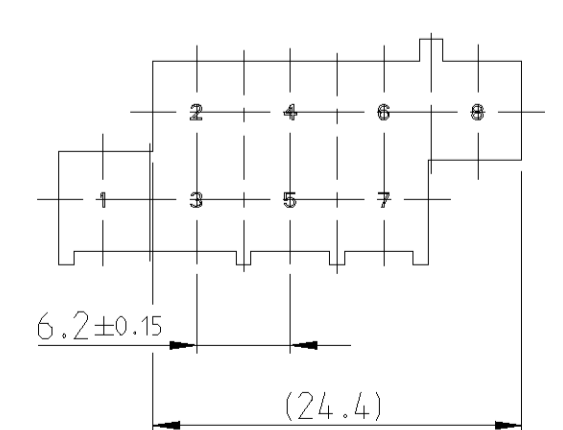
CODIGO 1 CODING



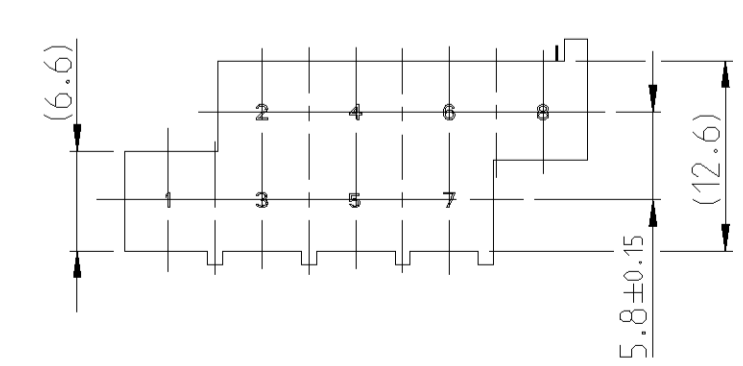
CODIGO 2 CODING



CODIGO 3 CODING



CODIGO 4 CODING



Code No.	Part Number	Material	Finish / Colour
CODE 4	365064-4	PA 6.6	YELLOW
CODE 3	365064-3	PA 6.6	BLACK
CODE 2	365064-2	PA 6.6	GREY
CODE 1	365064-1	PA 6.6	NATUR

THIS DRAWING IS A CONTROLLED DOCUMENT.		DWN R. ULLRICH 15OCT1984	TE Connectivity NAME: 8 POS. HOUSING FOR JUNIOR TIMER CONTACT
DIMENSIONS: mm		CHK J. PASCUAL 15JUN1993	
TOLERANCES UNLESS OTHERWISE SPECIFIED: ±0.2		APVD L. BATILLO 15JUN1993	
MATERIAL: SEE PART LIST		PRODUCT SPEC: -	
MATERIAL: SEE PART LIST		APPLICATION SPEC: -	RESTRICTED TO: -
MATERIAL: SEE PART LIST		WEIGHT: -	SIZE: A2
MATERIAL: SEE PART LIST		CUSTOMER DRAWING	CAGE CODE: 00779
MATERIAL: SEE PART LIST		SCALE: 2:1	DRAWING NO: C-365064
MATERIAL: SEE PART LIST		SHEET 1 OF 1	REV: E1