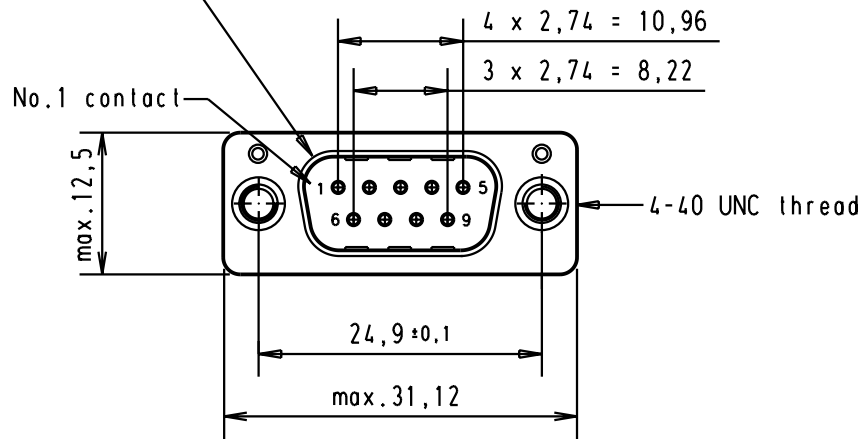
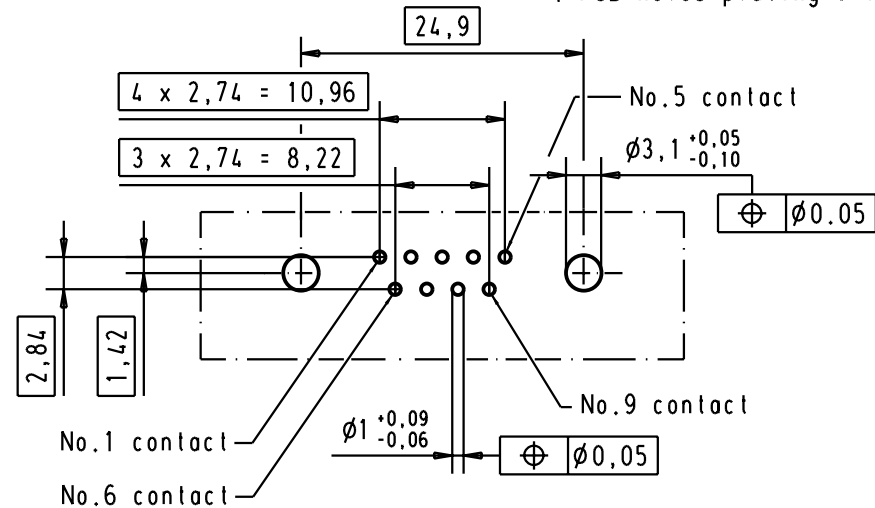
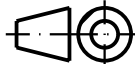



Mating face according to : MIL-C-24308 / DIN 41652 / CECC 75301-802



PCB layout hole component side ( PCB holes plating : Tin )



							Det.	Name	 All Dim. in mm Orig. Size DIN A 3	D-Sub 09 poles straight male connector with press-in termination, version nul.	Maßstab/ Scale 2,5:1
							Detail.	jfb			
							Insp.				
09661247706	3	5.7	4.35				Stand.				
09661246706	2	5.7	4.35	31079	29-AUG-02	CV					
09661245706	0.76 µm Au	5.7	4.35	27980	05/03/01	jfb					
Part number	Performance level	A±0.2	B±0.2	Mod.	Dat.	Name	HARTING EURL F-95972 Paris			 TB 0966124x70x	Blatt/ Page 3
										Sub.	