

DRAWING MADE IN AMERICAN PROJECTION

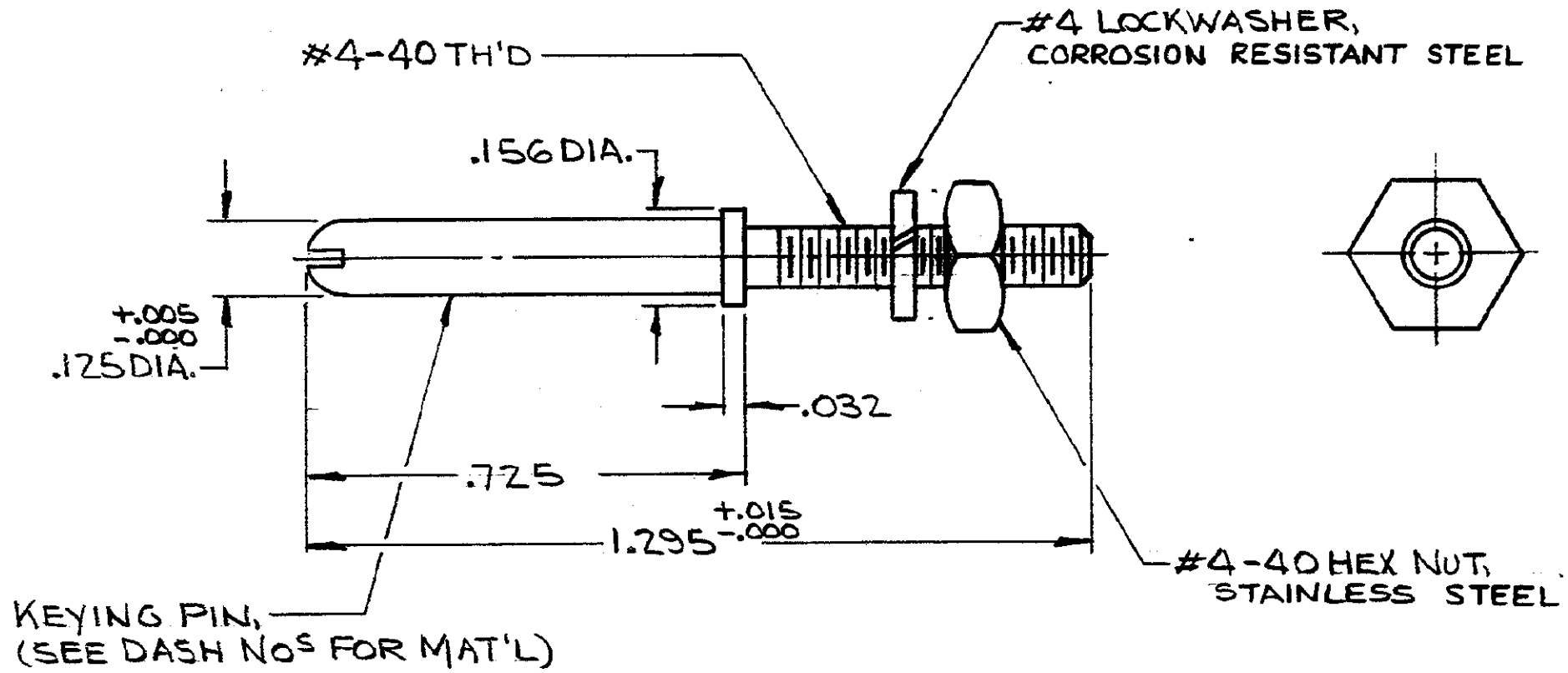
© 1971 BY AMP INCORPORATED. ALL RIGHTS RESERVED. AMP PRODUCTS COVERED BY PATENTS AND/OR PATENTS PENDING.

Unpublished copy not to be reproduced or published without written permission of AMP Incorporated.

REVISIONS				
ZONE	LTR	DESCRIPTION	DATE	APPROVED
	0	REDRAWN & RELEASED, WAS 5041-435	9/24/71	JA/OPS
	A	REV. PER ECN D-644	10-9-75	JK
	B	REV. PER ECN G-117	ANZ 3/15/79	JK
	C	REV PER ECN H-017	5-21-82	JK
	D	OBS-2; ECN DF-0364	MS 10-18-88	JKM

205694-1 1. AS SHOWN  
 2. MAT'L-BRASS, ZINC  
 PLATED PER QQ-Z-325 TYPE II, CLASS 3.

205694-2 [REDACTED] STEEL,



1. PARTS PACKAGED UNASSEMBLED.

UNLESS OTHERWISE SPECIFIED DIMENSIONS ARE IN INCHES. TOLERANCES ON: DECIMALS $\pm .005$ ANGLES $\pm$	CONTRACT NO.	AMP INCORPORATED HARRISBURG, PENNSYLVANIA	
	DR. <i>9/24/71</i>	NAME PIN ASSY, KEYING, LONG "HDR" SERIES	
	APPD. <i>9/28/71</i>	SIZE B	CODE IDENT NO. 00779
	REL. <i>9/29/71</i>	NUMBER 205694	SHEET 1 OF 1
MATERIAL SEE CALLOUT	OSGN APPD.	SCALE	CUSTOMER DRAWING
OTHER APPD.			