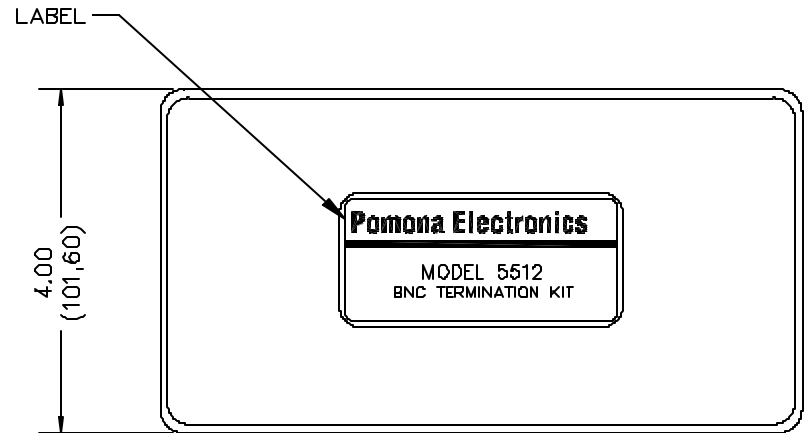
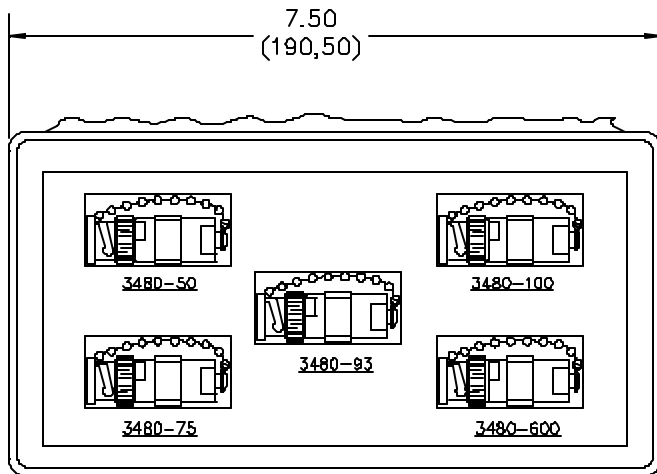


## Model 5512 Adapter Kit With BNC (Male) Resistor Terminal



### MATERIALS:

Body: Brass, Center Contact: Gold plated brass,  
Outer Contact: Tarnish Resistant gold plated Beryllium Copper  
Dielectric: Teflon  
Gasket/Seals: Silicone rubber  
Resistor: Deposited carbon film  
Marking: "Pomona 3840-\*"  
Label: "TERM, \*Ω 1/2W"

### RATINGS:

Frequency Range: DC to 500 MHz  
Resistance Tolerance:  $\pm 1\%$   
Power: 1/2W @ 70°C Max

### ORDERING INFORMATION: Model 5512

Kit contains 1 each Model 3480-50, -75, -93, -100, -600 Ohms  
Ordering Example: 5512

All dimensions are in inches. Tolerances (except noted): .xx =  $\pm 0.02$ " (.51 mm), .xxx =  $\pm .005$ " (.127 mm).  
All specifications are to the latest revisions. Specifications are subject to change without notice.  
Registered trademarks are the property of their respective companies. Made in USA