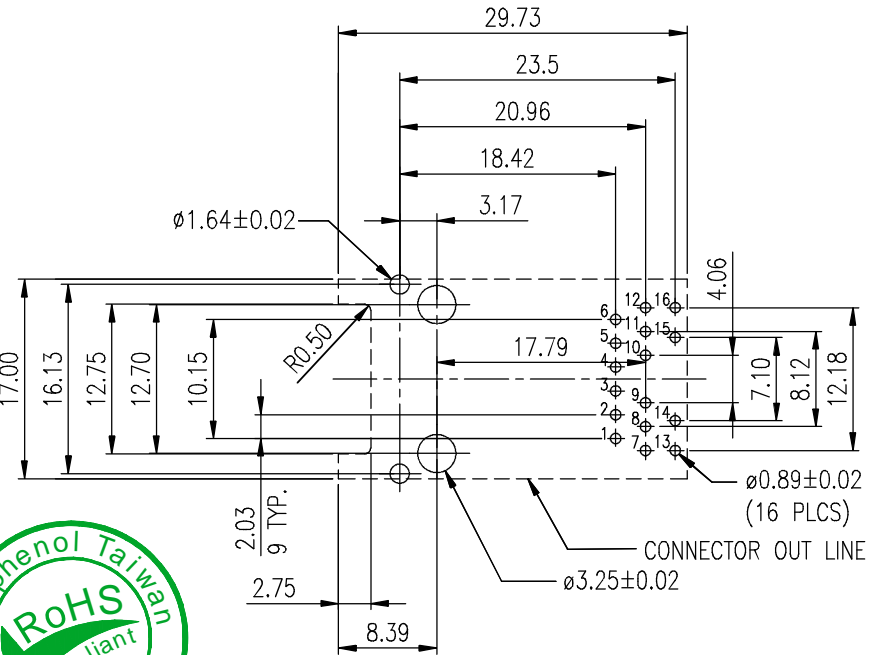
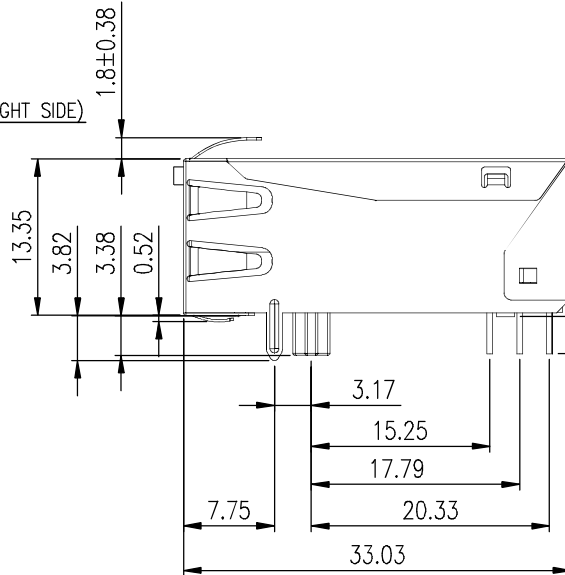
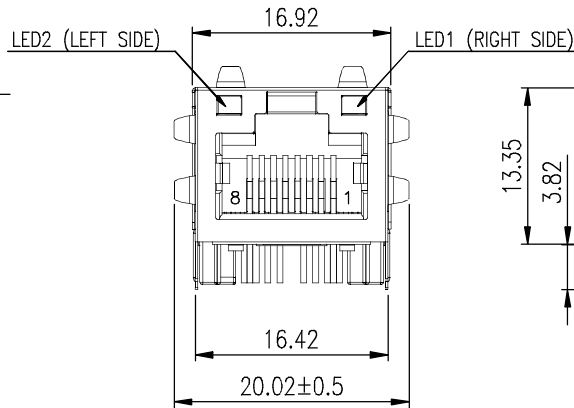
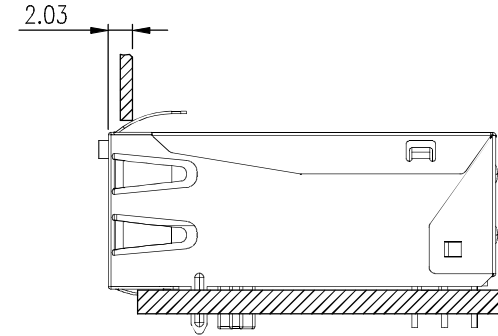
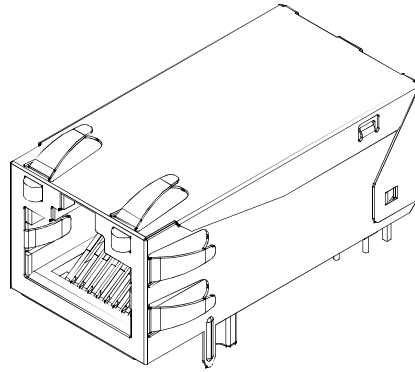
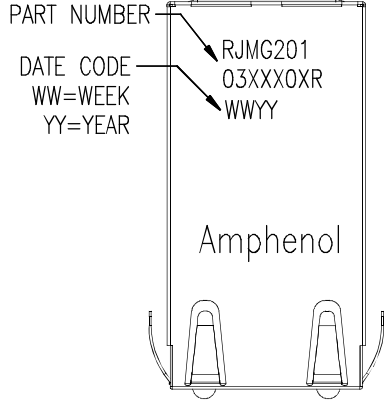


This document is the property of Amphenol Corporation and is delivered on the express condition that it is not to be disclosed, reproduced or used, in whole or in part, for manufacture or sale by anyone other than Amphenol Corporation without its prior consent, and that no right is granted to disclose or to use any information in this document.

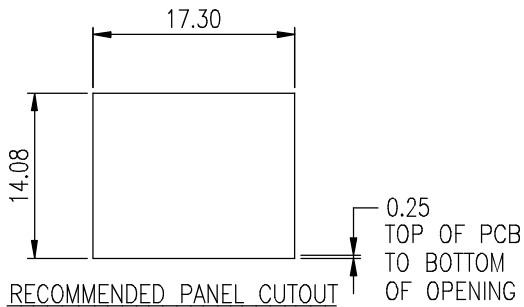
The marking on this product doesn't contain environmental hazardous materials per Material Specification SS-00259 For Sony GP compliant or per directive 2011/65/UC for RoHS compliant.

# CUSTOMER DRAWING

REVISIONS				
SYM	ECN No.	DESCRIPTION	DATE	APPROVED
A		NEW RELEASE	1/24/2008	Greg L
B	ECN-12-006	UPDATE THE DIMENSIONS IN PAGE 1 TO MEET THE PCB LAYOUT	5/16/2012	Sunky Shang
C1		ADD NEW SCHEMATIC DRAWING	02/21/2013	Roger Tsai



RECOMMENDED P.C.B LAYOUT  
 COMPONENT SIDE OF BOARD  
 DIMENSIONAL TOLERANCE: .XX ±0.05



TOLERANCE	APPROVALS	DATE	TITLE		Amphenol®					
X. ±0.35	DRAWN Devin Yen	02/21/2013	RJMG201 SERIES		Amphenol Corporation					
X.X ±0.25			RJmag GIGABIT SINGLE PORT		Amphenol Taiwan Corporation					
X.XX ±0.15	CHECKED Vivian Wen	02/21/2013	1:1 RATIO							
ANGULAR ±1°	APPROVED Roger Tsai	02/21/2013	UNLESS OTHERWISE SPECIFIED	CUST DWG	PROJECT CODE GT262	UNIT mm	SIZE A3	PART No. RJMG20103XXX0XR	DVG No. RJMG20103XXX0XR	REV. C1
	DWG TYPE									

This document is the property of Amphenol Corporation and is delivered on the express condition that it is not to be disclosed, reproduced or used, in whole or in part, for manufacture or sale by anyone other than Amphenol Corporation without its prior consent, and that no right is granted to disclose or to use any information in this document.

The marking on this product doesn't contain environmental hazardous materials per Material Specification SS-00259 For Sony GP compliant or per directive 2011/65/UC For RoHS compliant.

# CUSTOMER DRAWING

REVISIONS				
SYM	ECN No.	DESCRIPTION	DATE	APPROVED
A		NEW RELEASE	1/24/2008	Greg L
B	ECN-12-006	UPDATE THE DIMENSIONS IN PAGE 1 TO MEET THE PCB LAYOUT	5/16/2012	Sunky Shang
C1		ADD NEW SCHEMATIC DRAWING	02/21/2013	Roger Tsai

## ELECTRICAL SPECIFICATION(@25° C)

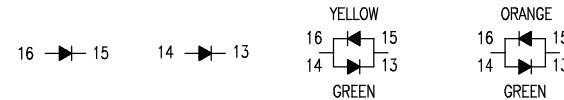
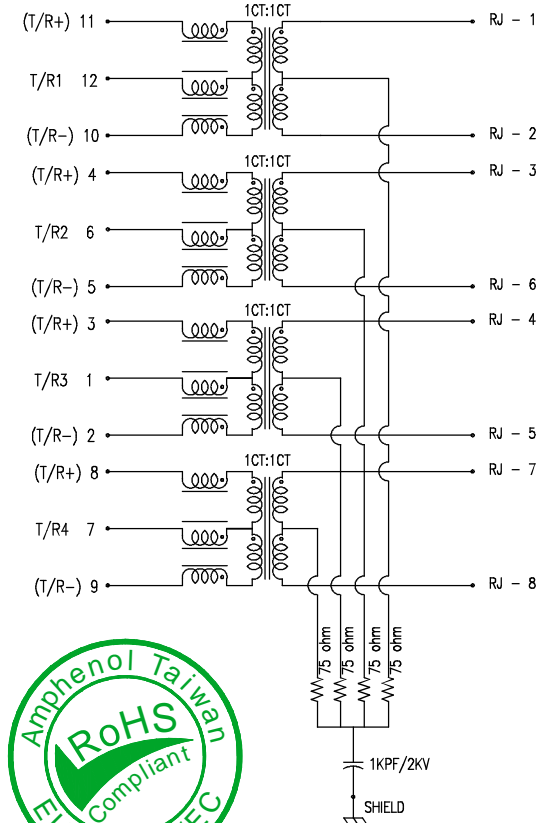
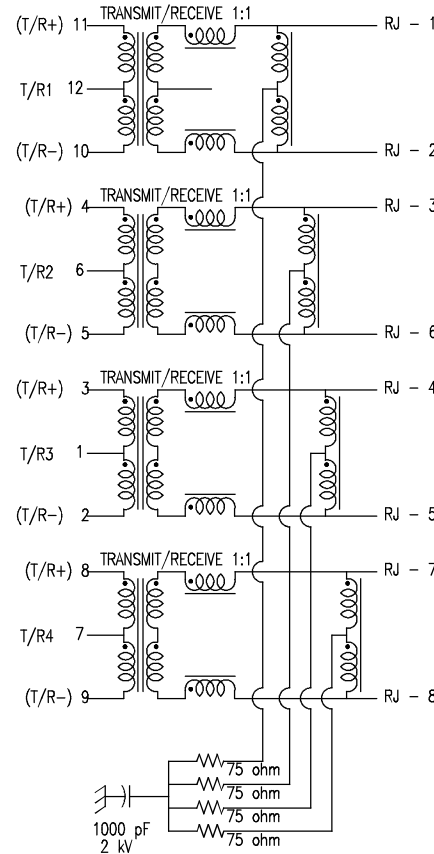
### CONNECTOR PERFORMANCE

PARAMETER	LIMITS (MAX. OR MIN.)	FREQUENCY RANGE/TEST CONDITIONS
INSERTION LOSS (RX/TX)	-0.8dB MAX. -1.2dB MAX.	0.1-100 MHz 100-125 MHz
RETURN LOSS (RX/TX)	-16dB MIN. -10+20 log(f/80MHz)dB MIN.	0.5-40 MHz 40-100 MHz
CM-CM REJECTION	-30dB MIN.	100 KHz-100 MHz
CM-DM REJECTION	-35dB MIN.	100 KHz-100 MHz
CROSSTALK ISOLATION (RX/TX)	-30+20 log(f/100MHz)dB MIN.	100 KHz-100 MHz
HIPOT (ISOLATION)	1.5kVrms MIN.	60S
OCL	350uH MIN.	100KHz 100mV 8mA
TURN RATIO	1:1±5%	

### LED PERFORMANCE

PARAMETER	SINGLE COLOUR		BICOLOUR				UNITS
	GREEN	YELLOW	GREEN	YELLOW	GREEN	ORANGE	
FORWARD CURRENT IF MAX	30	30	30		30		mA
REVERSE CURRENT IR MAX	10	10	10			10	uA
REVERSE VOLTAGE VR MAX	-5	-5	-5			-5	V
T OPERATURE	-40~+85	-40~+85	-40~+85			-40~+85	°C
T SOLDERING	260+/-5	260+/-5	260+/-5			260+/-5	°C
POWER DISS. Pd	70	70	70			70	mW
PEAK WAVELENGTH	565	585	565	585	565	605	nM
FORWARD VOLTAGE TYP	2.5	2.1	2.2	2.1	2.2	2.0	V (@IF=20mA)
FORWARD VOLTAGE MAX	2.9	2.6	2.6	2.6	2.6	2.6	V (@IF=20mA)

### SCHEMATIC DRAWING



LED DETAIL

TOLERANCE	APPROVALS	DATE	TITLE		PART No.			
X. X.X ±0.35 X.XX ±0.25 X.XXX ±0.15	DRAWN Devin Yen	02/21/2013	RJMG201 SERIES		Amphenol®			
	CHECKED Vivian Wen	02/21/2013	RJmag GIGABIT SINGLE PORT		Amphenol Corporation			
	APPROVED Roger Tsai	02/21/2013	1:1 RATIO		Amphenol Taiwan Corporation			
ANGULAR ±1°	DWG TYPE CUST DWG	PROJECT CODE GT262	UNIT mm	SIZE A3	RJMG20103XXX0XR			
UNLESS OTHERWISE SPECIFIED			SCALE NA	SHEET 2 OF 4	RJMG20103XXX0XR			
					REV. C1			

This document is the property of Amphenol Corporation and is delivered on the express condition that it is not to be disclosed, reproduced or used, in whole or in part, for manufacture or sale by anyone other than Amphenol Corporation without its prior consent, and that no right is granted to disclose or to use any information in this document.

The marking on this product doesn't contain environmental hazardous materials per Material Specification SS-00259 For Sony GP compliant or per directive 2011/65/UC for RoHS compliant.

# CUSTOMER DRAWING

REVISIONS				
SYM	ECN No.	DESCRIPTION	DATE	APPROVED
A		NEW RELEASE	1/24/2008	Greg L
B	ECN-12-006	UPDATE THE DIMENSIONS IN PAGE 1 TO MEET THE PCB LAYOUT	5/16/2012	Sunky Shang
C1		ADD NEW SCHEMATIC DRAWING	02/21/2013	Roger Tsai

RJMG-2010 - 3 X - X X - 0 X R

LED1 (RIGHT SIDE)

- 0- No LED (Blocked Hole)
- 1- Green
- 2- Yellow
- 4- Bi-color Green/Yellow
- 6- Bi color Green/Orange

LED2 (LEFT SIDE) SEE LED1 OPTIONS

- 0- No LED (Blocked Hole)
- 1- Green
- 2- Yellow
- 4- Bi-color Green/Yellow
- 6- Bi color Green/Orange

R: RoHS Compliant; A electrical specifications

PLATING AND PACKAGE

N: Gold 30u Inches

F: Gold 50u Inches

TERMINATION OPTIONS

- 1: 4 X 75 OHM RESISTORS, 12 cores 1000 pf (2KV)
- 3: 4 X 75 OHM RESISTORS, 8 cores 1000pF(2KV)



MATERIALS:

INSULATOR: THERMOPLASTIC POLYESTER,  
COLOR: BLACK  
FLAMMABILITY RATING UL 94V-0

CONTACTS (RJMAG): PHOSPHOR BRONZE  
PLATING: GOLD 30U" PLATING ON MATING SURFACES.  
120 MICROINCHES PURE TIN ON TAILS.

SHIELD: STAINLESS STEEL T=0.20 MM.

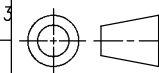
MECHANICAL FEATURES:

PACKAGING: 40PCS/PLASTIC TRAY, 400 PCS/CARTON  
MEET FCC PART 68.500 REQUIREMENTS.

Environmental

OPERATING TEMPERATURE: 0°C TO +70°C.  
STORAGE TEMPERATURE: -40°C TO +85°C.  
WAVE SOLDERING TEMPERATURE: 260°C FOR 10 SECONDS

TOLERANCE	APPROVALS	DATE	TITLE			Amphenol®		
X. X.X ±0.35 X.XX ±0.25 X.XXX ±0.15	DRAWN Devin Yen	02/21/2013	RJMG201 SERIES			Amphenol Corporation		
	CHECKED Vivian Wen	02/21/2013	RJmag GIGABIT SINGLE PORT			Amphenol Taiwan Corporation		
ANGULAR ±1°	APPROVED Roger Tsai	02/21/2013	1:1 RATIO			UNIT mm	SIZE A3	PART No. RJMG20103XXX0XR
UNLESS OTHERWISE SPECIFIED	DWG TYPE CUST DWG	PROJECT CODE GT262	SCALE NA	SHEET 3 OF 4	DWG No. RJMG20103XXX0XR	REV. C1		



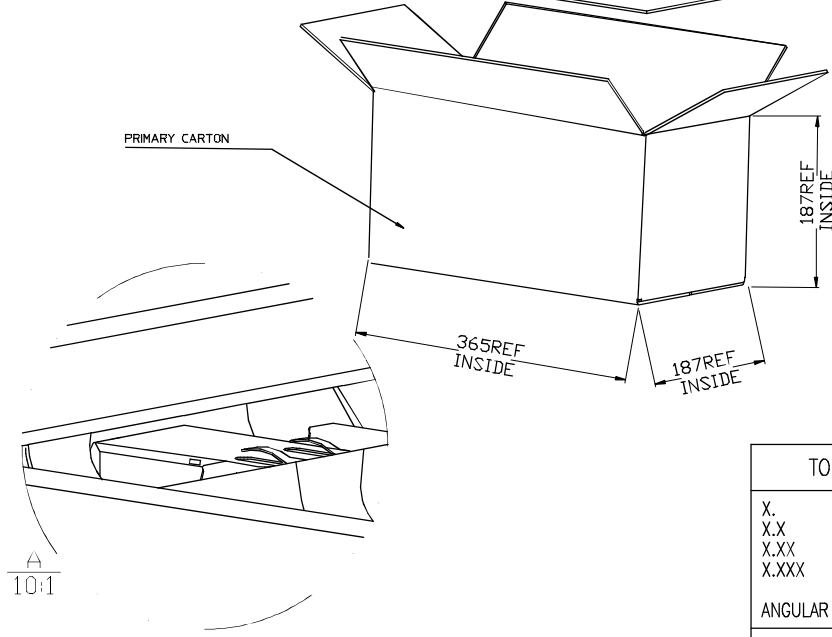
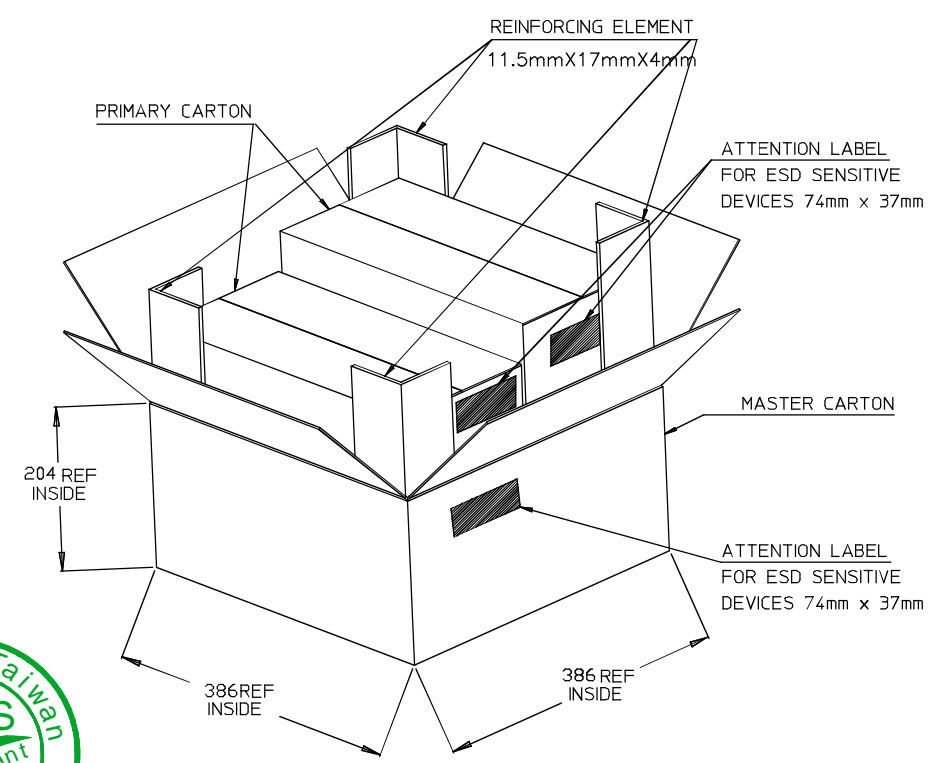
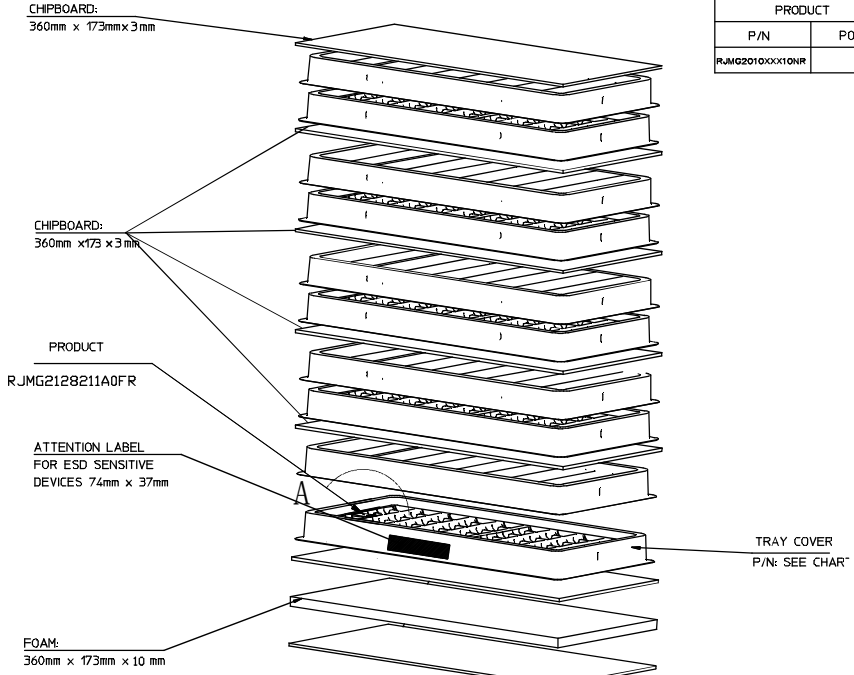
This document is the property of Amphenol Corporation and is delivered on the express condition that it is not to be disclosed, reproduced or used, in whole or in part, for manufacture or sale by anyone other than Amphenol Corporation without its prior consent, and that no right is granted to disclose or to use any information in this document.

The marking on this product doesn't contain environmental hazardous materials per Material Specification SS-00299 For Sony GP compliant or per directive 2011/65/UC for RoHS compliant.

# CUSTOMER DRAWING

REVISIONS				
SYM	ECN No.	DESCRIPTION	DATE	APPROVED
A		NEW RELEASE	1/24/2008	Greg L
B	ECN-12-006	UPDATE THE DIMENSIONS IN PAGE 1 TO MEET THE PCB LAYOUT	5/16/2012	Sunky Shang
C1		ADD NEW SCHEMATIC DRAWING	02/21/2013	Roger Tsai

PRODUCT		TRAY P/N	COVER P/N	TRAY PER PRIMARY CARTON	PCS PER TRAY	PCS PER PRIMARY CARTON	PCS PER MASTER CARTON
P/N	PORTS						
RJMG20103XXX0XR				5	40	200	400



TOLERANCE	APPROVALS	DATE	TITLE		Amphenol®			
X. ±0.35	DRAWN Devin Yen	02/21/2013	RJMG201 SERIES		Amphenol Corporation			
X.X ±0.25			Rjmag GIGABIT SINGLE PORT		Amphenol Taiwan Corporation			
X.XX ±0.25	CHECKED Vivian Wen	02/21/2013	1:1 RATIO		UNIT	SIZE	PART No.	
X.XXX ±0.15			mm	A3	RJMG20103XXX0XR			
ANGULAR ±1°	APPROVED Roger Tsai	02/21/2013			SCALE	SHEET	DWG No.	REV.
UNLESS OTHERWISE SPECIFIED	DWG TYPE CUST DWG	PROJECT CODE GT262	NA	4 OF 4	RJMG20103XXX0XR	C1		