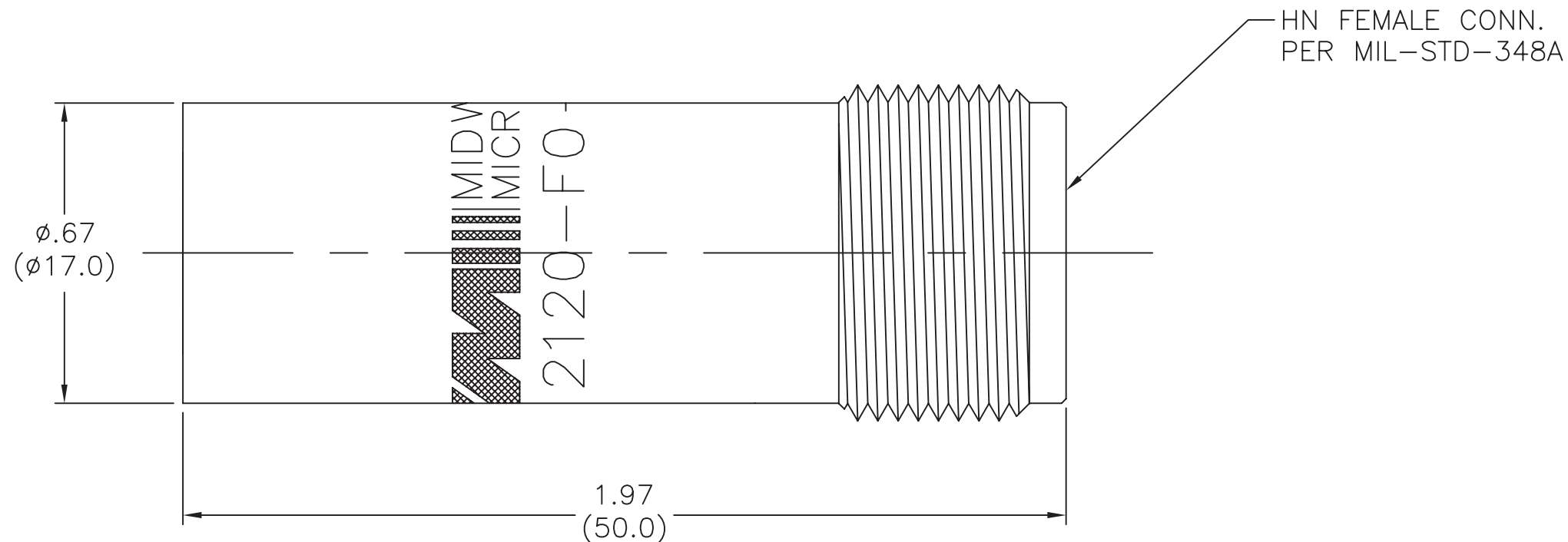


MODEL NUMBER  
TRM-2120-FO-HNO-02

- NOTES:
- 1.0 ELECTRICAL SPECIFICATIONS
    - 1.1 FREQUENCY RANGE: DC TO 8 GHz
    - 1.2 MAXIMUM INPUT POWER:
      - AT +25°C: 2 WATTS
      - AT +125°C: 0.5 WATTS
    - 1.3 OPERATING TEMPERATURE RANGE:
      - 55°C TO +125°C
    - 1.4 IMPEDANCE: 50 OHMS
    - 1.5 MAXIMUM VSWR: 1.25:1
  - 2.0 MARK UNIT AS SHOWN.  
REF.: INK-02611-27-62
  - 3.0 DIMENSIONS IN PARENTHESIS ARE IN MILLIMETERS.



**NOTICE: The information contained in this drawing is proprietary and must not be used without the permission of Cinch Connectivity Solutions.**

UNLESS OTHERWISE NOTED DIMENSIONS ARE IN INCHES AND TOLERANCES ARE:  
 3 PLACE DECIMALS  $\pm 0.005$   
 2 PLACE DECIMALS  $\pm 0.02$   
 FRACTIONS  $\pm 1/64$   
 PARALLELITY: T.I.R. \_\_\_\_\_  
 FLATNESS: T.I.R. \_\_\_\_\_  
 CONCENTRICITY: T.I.R. \_\_\_\_\_  
 ANGLES AND PERPENDICULARITY:  $\pm 1'$

CAGE CODE  
34078 **MIDWEST MICROWAVE**

TITLE  
TERMINATION, HN  
OUTLINE DRAWING

DRAWN/DATE C. WALLACE 7/27/10	ENG./DATE P. KLYVE 7/20/10	DRAWING NUMBER TRM-2120-FO-HNO-02-01	REV. A
CHECKED/DATE	APPROVED/DATE	SCALE: 3:1	SHEET 1 of 1

REV.	DESCRIPTION	DATE
A	ECO 22577	7/20/10