



PRODUCT DATASHEET

ANGELA series

last update 14/3/2017

DETAILS

Product Number	C14123_CLAMP-CXA15-18
Family	ANGELA
Type	Base part
Color	white
Diameter	49,6 mm
Height	9,25 mm
Style	round
Optic Material	
Holder Material	PC
Fastening	screw
Status	production ready
ROHS Compliant	Yes
Date Updated	14/03/2017



OPTICAL PROPERTIES

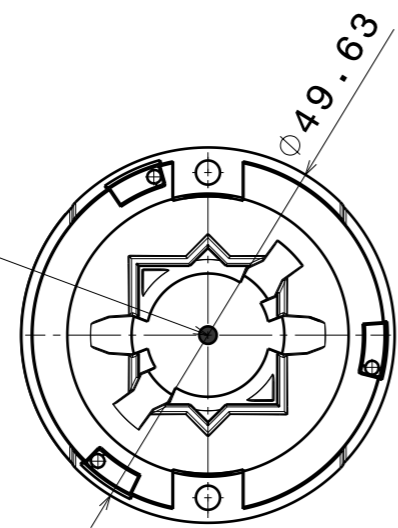
LED	Viewing Angle	Light Beam	Efficiency	cd/lm	Connector
CXA/B 15xx	N/A deg	-	-	-	-
CXA/B 1816 & CXA/B 1820 & CXA 1850	N/A deg	-	-	-	-
CXA/B 1830	N/A deg	-	-	-	-

H G F E D C B A

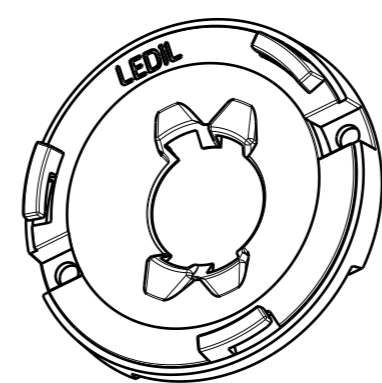
4

4

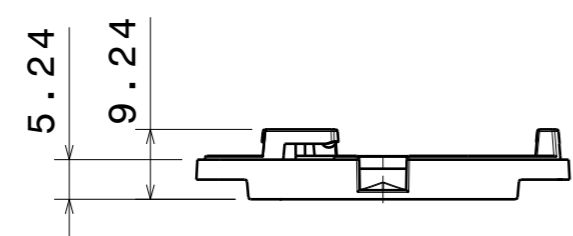
LED Middle position
CXA15 and CXA18



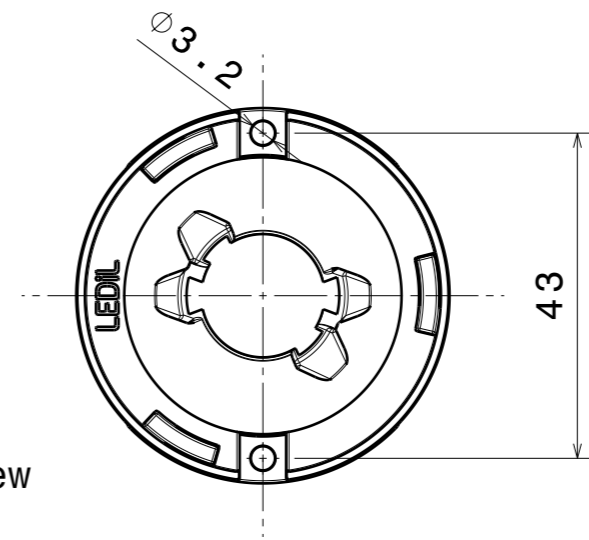
Bottom view



Isometric view



Front view



Top view

3

3

2

2

INDEX	PART NO	DESCRIPTION	MATERIAL	COLOUR
1	C14123	CLAMP-CXA15-18	PC	white

Tolerances if not otherwise shown
According to DIN ISO 2768-1
Linear measures:
Up to 30mm class F, otherwise class M.
According to DIN ISO 2768-2
Form and position: class K

LEDiL LediL Oy
Salorankatu 10
FIN 24240 SALO
Finland

THIRD ANGLE PROJECTION:

DRAWING TITLE
C14123_CLAMP-CXA15-18

This drawing is the property
of LEDiL Oy. It may not be
reproduced, copied or
communicated without a written
agreement with LEDiL Oy.

SIZE	PART NUMBER
A3	C14123

SCALE	1:1	WEIGHT	3,52 g	SHEET	1/1
-------	-----	--------	--------	-------	-----

H G F E D C B A

1

1

NOTE: The typical divergence will be changed by different color, chip size and chip position tolerance. The typical total divergence is the full angle measured where the luminous intensity is half of the peak value.

GENERAL INFORMATION

- Product series especially designed & optimized for series of LEDs.
- Special care taken to make light distribution as uniform as possible.

Note! Due to use of high power COB's with this product, special attention to proper thermal design is highly recommended. LEDiL has no liability for direct, indirect or consecutive damages arising from the LEDiL products being used outside of the recommended temperature range.