

Copyright FCI.

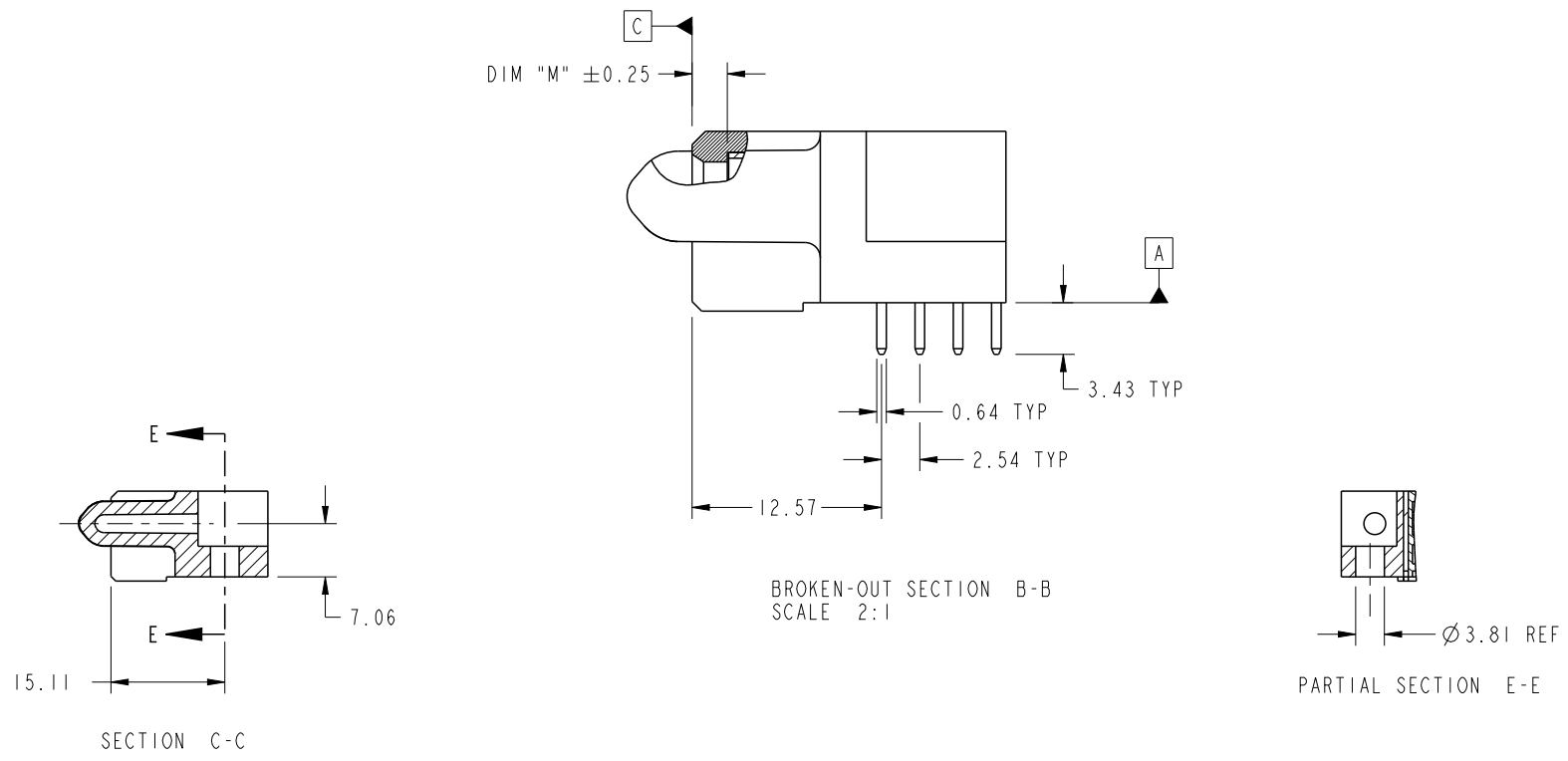
CODE	DIM "M" MATING LENGTH	CONTACT TYPE
PC	[2.34]	POWER

spec ref	SEE NOTES	dr	Anson Liu	2011/04/29	projection	MM	size	A4	scale	1:1												
tolerance std	TOLERANCES UNLESS OTHERWISE SPECIFIED	eng	Guang, Shi	2011/08/11			ecn no	-														
SEE NOTES		chr	-	-																		
surface	<table border="1"> <tr><td>linear</td><td>0.X</td><td>±0.50</td></tr> <tr><td></td><td>0.XX</td><td>±0.25</td></tr> <tr><td></td><td>0.XXX</td><td>±0.10</td></tr> <tr><td>angular</td><td>0°</td><td>±2°</td></tr> </table>	linear	0.X	±0.50		0.XX	±0.25		0.XXX	±0.10	angular	0°	±2°	appr	Pei-Ming Zheng	2011/08/11	product family	PwrBlade	rel level	Released		
linear		0.X	±0.50																			
		0.XX	±0.25																			
	0.XXX	±0.10																				
angular	0°	±2°																				
		title	8P R/A STB RECEPTACLE			www.fci.com	cat. no.	Product - Customer Drw	dwg no	51773-015	rev	A										
							sheet 1 of 4															

PrdE File - REV C - 2009-06-09



Copyright FCI.



dr	Anson Liu	2011/04/29	projection 	MM 	size	A4	scale	1:1
eng	Guang, Shi	2011/08/11			ecn no	-		
chr	-	-			rel level	Released		
appr	Pei-Ming Zheng	2011/08/11	product family	PwrBlade	rel level	Released		
	title	8P R/A STB RECEPTACLE		dwg no	51773-015		rev	A
www.fci.com	cat. no.	Product - Customer Drw			sheet 2 of 4			

1

2

3

4

A

B

C

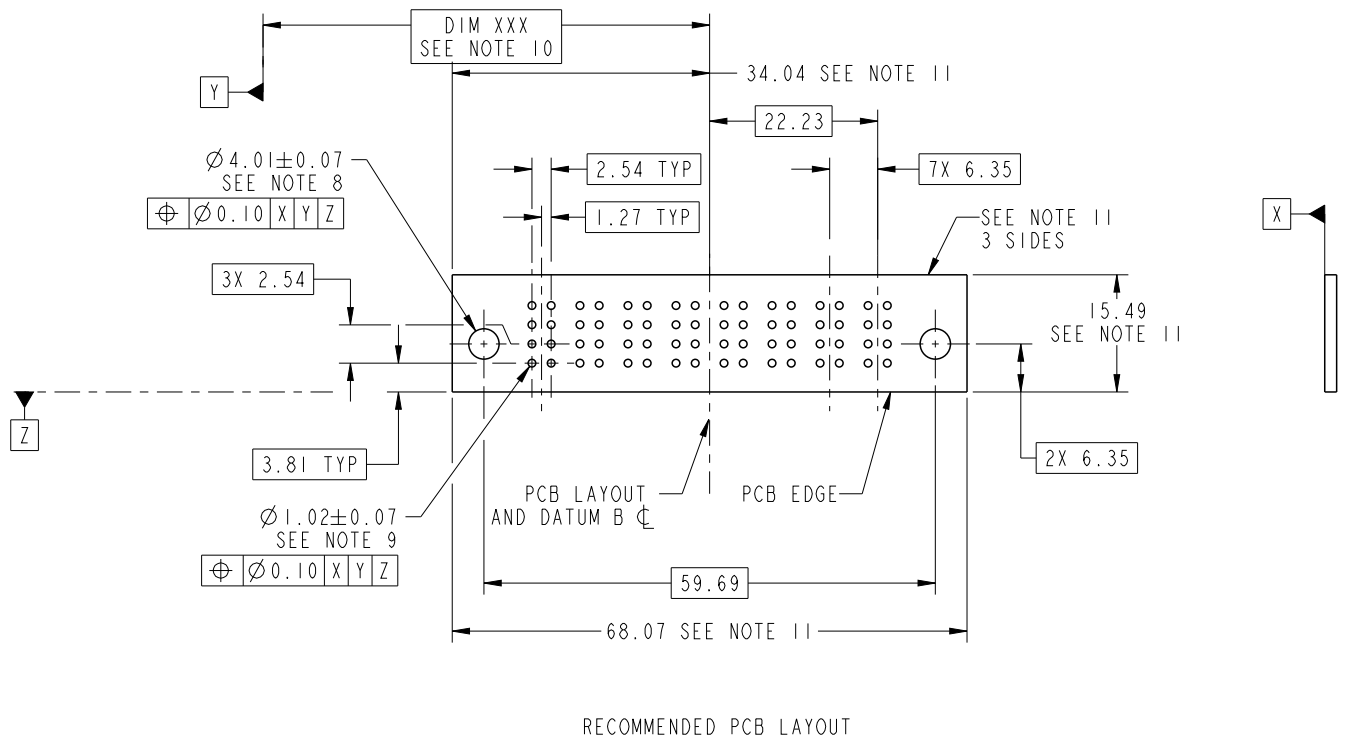
D

A

B

C

D



RECOMMENDED PCB LAYOUT



Copyright FCI.

dr	Anson Liu	2011/04/29	projection 	MM 	size	A4	scale	1:1	
eng	Guang, Shi	2011/08/11			ecn no	-			
chr	-	-			rel level	Released			
appr	Pei-Ming Zheng	2011/08/11	product family	PwrBlade					
		title	8P R/A STB RECEPTACLE		dwg no	51773-015		rev	A
www.fci.com		cat. no.	Product - Customer Drw			sheet 3 of 4			

2

3

4

NOTES:

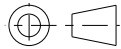


1. DIMENSIONS AND TOLERANCES ARE IN ACCORDANCE WITH ASME Y14.5M, 1994 UNLESS OTHERWISE SPECIFIED.

CONNECTOR NOTES:

- 2. HOUSING MATERIAL: UL 94 V-0 GLASS FILLED HIGH-TEMP THERMOPLASTIC
POWER CONTACT MATERIAL: COPPER ALLOY
SIGNAL PIN MATERIAL: COPPER ALLOY
- 3. SEE ITEM 5 & 6 IN PRINT 10064183 FOR PLATING SPEC OF 51773-015 AND 51773-015LF RESPECTIVELY.
- 4. MANUFACTURER'S NAME, DATE CODE AND OPTIONAL P/N TO APPEAR ON THIS SURFACE. THE P/N CAN BE OMITTED IF THERE IS NOT ENOUGH SPACE ON THIS SURFACE.
- 5. PRODUCT SPECIFICATION GS-12-149.
APPLICATION SPECIFICATION BUS-20-067.
- 6. PACKAGED IN TRAYS.

PCB NOTES:

- 7. ALL HOLE DIAMETERS ARE FINISHED HOLE SIZE.
- 8. MOUNTING HOLES, WHERE APPLICABLE, ARE UNPLATED.
- 9. $\varnothing 1.151 \pm 0.025$ DRILLED HOLES PLATED WITH
0.008 MIN SnPb OR Sn OVER 0.03
TO 0.08 Cu PLATING TO ACHIEVE
 $\varnothing 1.02 \pm .07$ HOLE.
- 10. "DIM XXX" TO BE DETERMINED BY THE CUSTOMER.
- 11. CONNECTOR KEEP-OUT ZONE.
- 12. THE VOID CORING IN BETWEEN POWER MODULES, SIGNAL MODULES AND END MODULES ARE OPTIONAL AND THE SHAPE MAY BE DIFFERENT FOR OPTIMIZE THE MOLDING PROCESS. THE VOID CORING WILL NOT EFFECT TO PRODUCT FUNCTION.

dr	Anson Liu	2011/04/29	projection 	MM 	size	A4	scale	1:1	
eng	Guang, Shi	2011/08/11			ecn no	-			
chr	-	-							
appr	Pei-Ming Zheng	2011/08/11	product family	PwrBlade	rel level	Released			
		title	8P R/A STB RECEPTACLE		dwg no	51773-015		rev	A
www.fci.com		cat. no.	Product - Customer Drw			sheet 4 of 4			