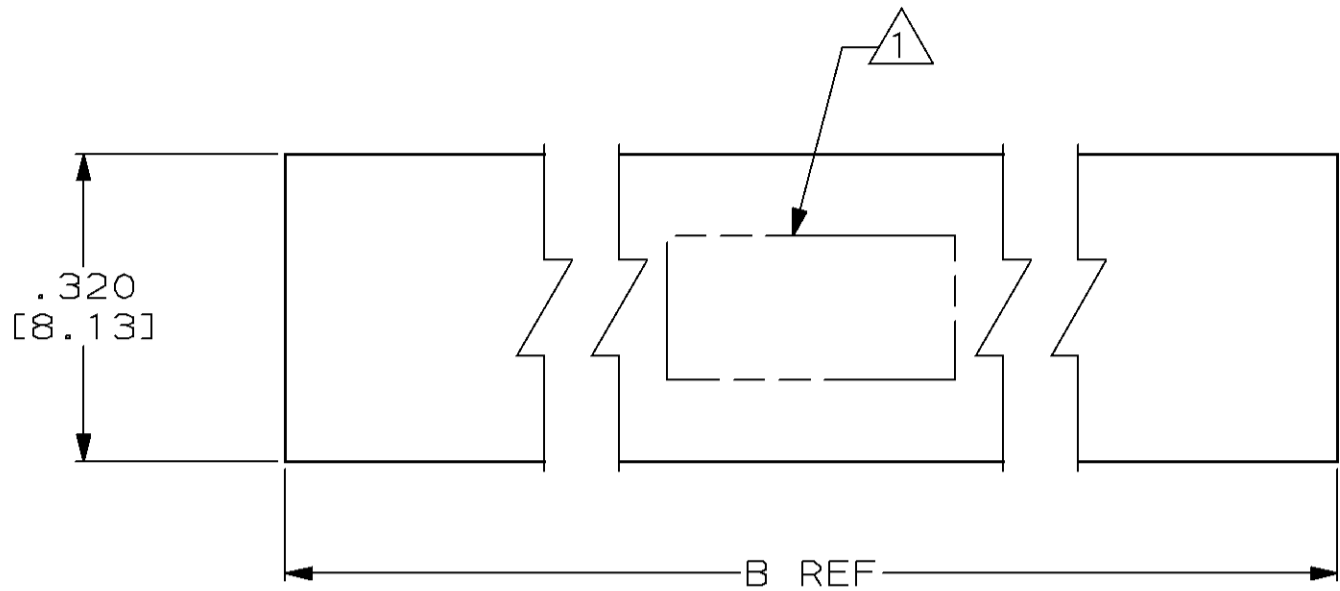
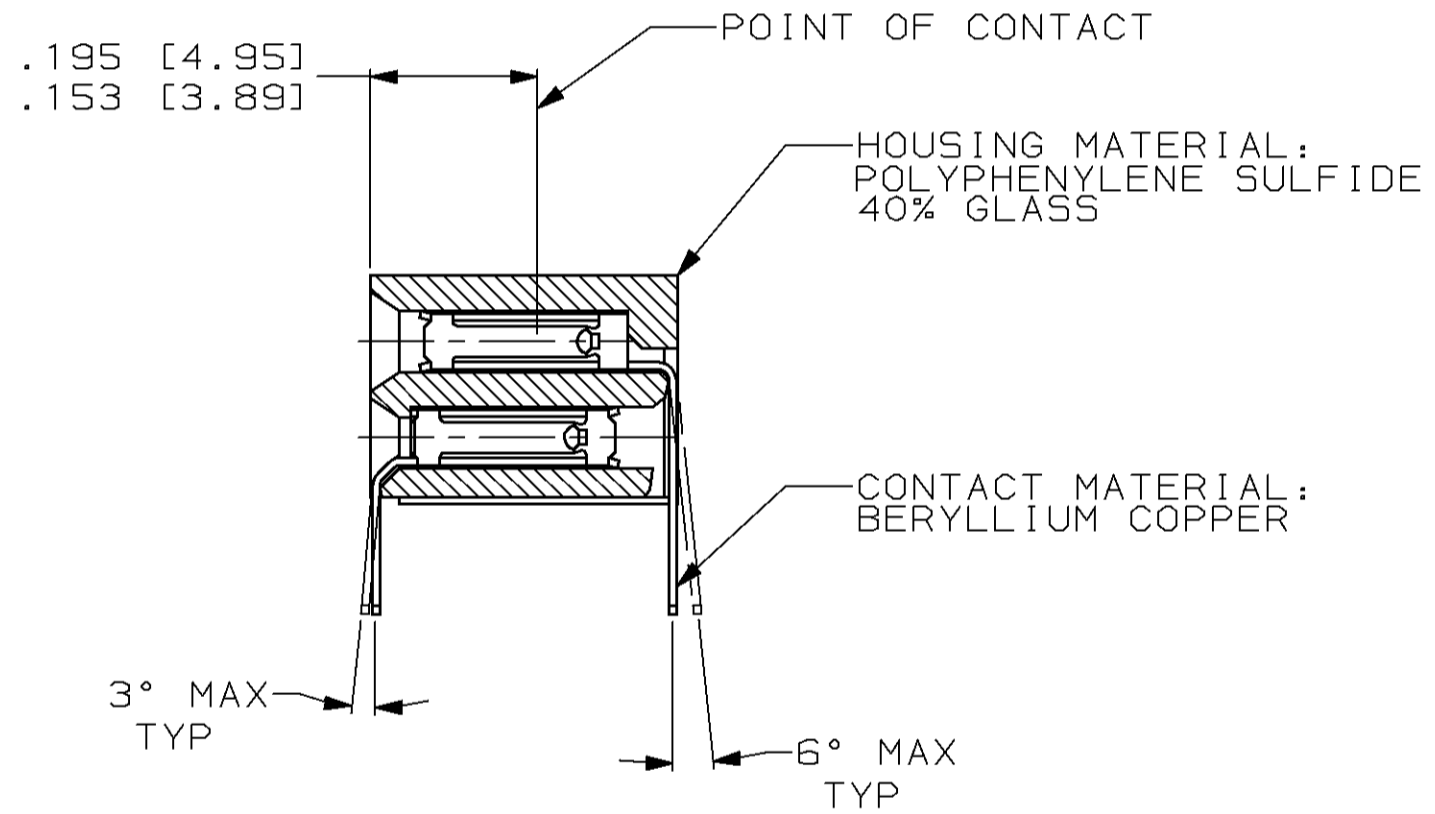
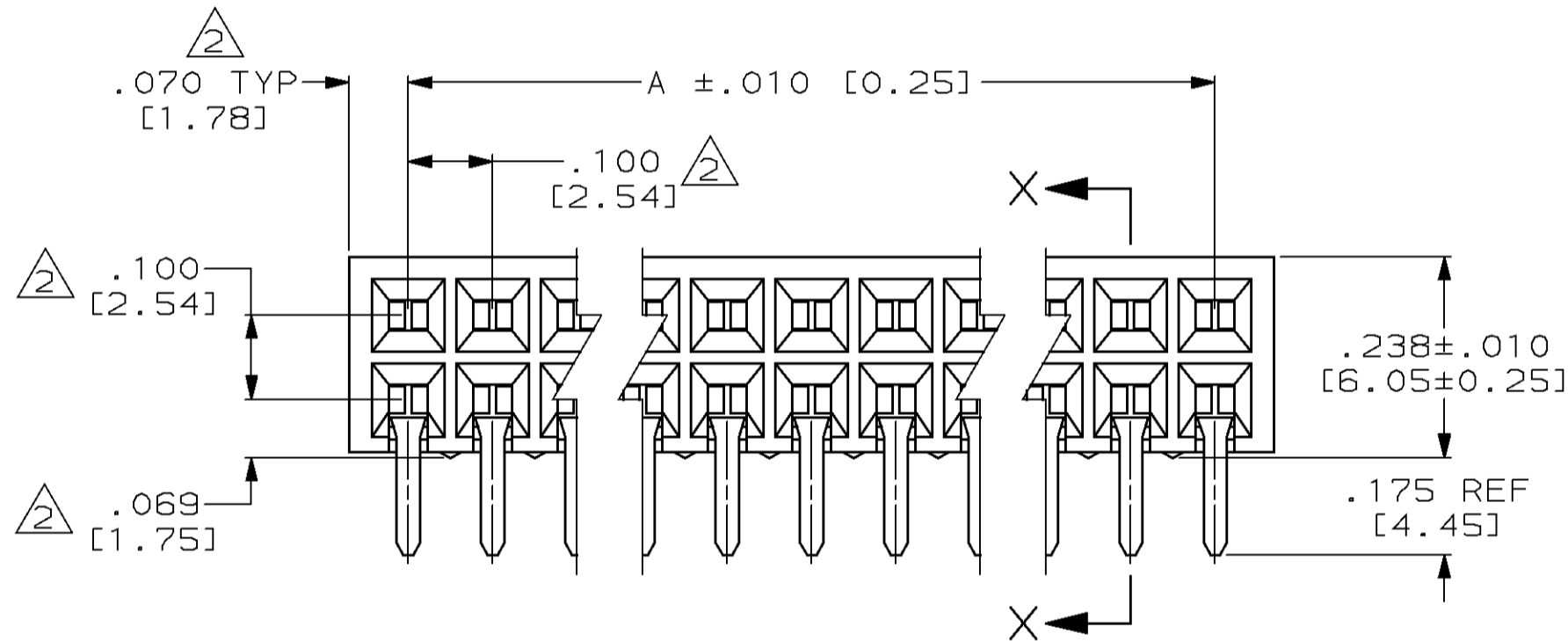


THIS DRAWING IS UNPUBLISHED. RELEASED FOR PUBLICATION
 © COPYRIGHT 19 BY AMP INCORPORATED. ALL RIGHTS RESERVED.

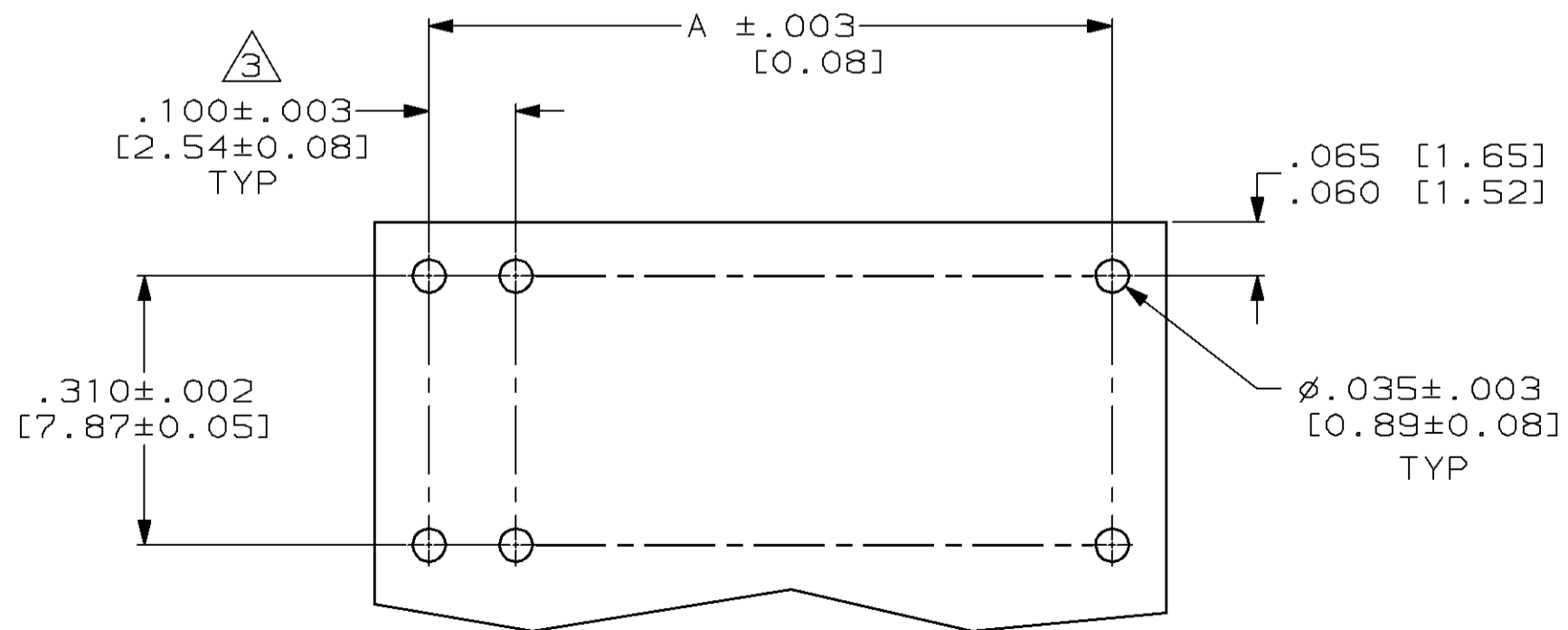
LOC		DIST		REVISIONS			
P	LTR	DESCRIPTION		DATE	DWN	APVD	
DF	ZO	D		REV PER 0600-6036-96	10-97	CT	GA



- ① MARK AMP, PART NUMBER, DATE CODE AND THE WORD FRONT PER 115-1105 IN APPROXIMATE AREA.
- ② THESE DIMENSIONS PERTAIN TO CAVITY CENTERLINES ONLY, NOT TO CONTACT LOCATIONS.
- ③ TOLERANCE NON-CUMULATIVE.
- ④ GOLD FLASH OVER .000050 [0.00127] NICKEL ENTIRE CONTACT, .000030 [0.00076] GOLD ON CONTACT AREA.
- 5. ONE INSULATOR STRIP PACKAGED WITH EACH ASSEMBLY.
- 6. MARK "CSA" LOGO ON PART.



SECTION X-X



RECOMMENDED P.C. BOARD LAYOUT

	DIM B	DIM A	NO OF POSN	PART NUMBER
	4.440 [112.78]	4.300 [109.22]	88	533012-3
	2.440 [61.98]	2.300 [58.42]	48	533012-2
OBSOLETE	.500 [12.70]	.500 [12.70]	22	533012-1

THIS DRAWING IS A CONTROLLED DOCUMENT.		DWN T. ALEXANDER 5-21-96	AMP Incorporated Harrisburg, PA 17105-3608	
DIMENSIONS: INCHES [mm]		CHK G. ALTEMOSE 11-8-96	NAME HOUSING ASSEMBLY, MOD II, DBL ROW IN LINE, .100 x .100∅, SHORT POINT OF CONTACT	
TOLERANCES UNLESS OTHERWISE SPECIFIED:		APVD G. ALTEMOSE 11-8-96	PRODUCT SPEC -	
0 PLC ±-		APPLICATION SPEC -		
1 PLC ±-		DRAWING NO A2 00779 C-533012		
2 PLC ±-		SCALE 5:1 SHEET 1 OF 1 REV D		
3 PLC ±.005 [0.13]		WEIGHT -		
4 PLC ±-		CUSTOMER DRAWING		
ANGLES ±-				
FINISH		④		

533012

B

A