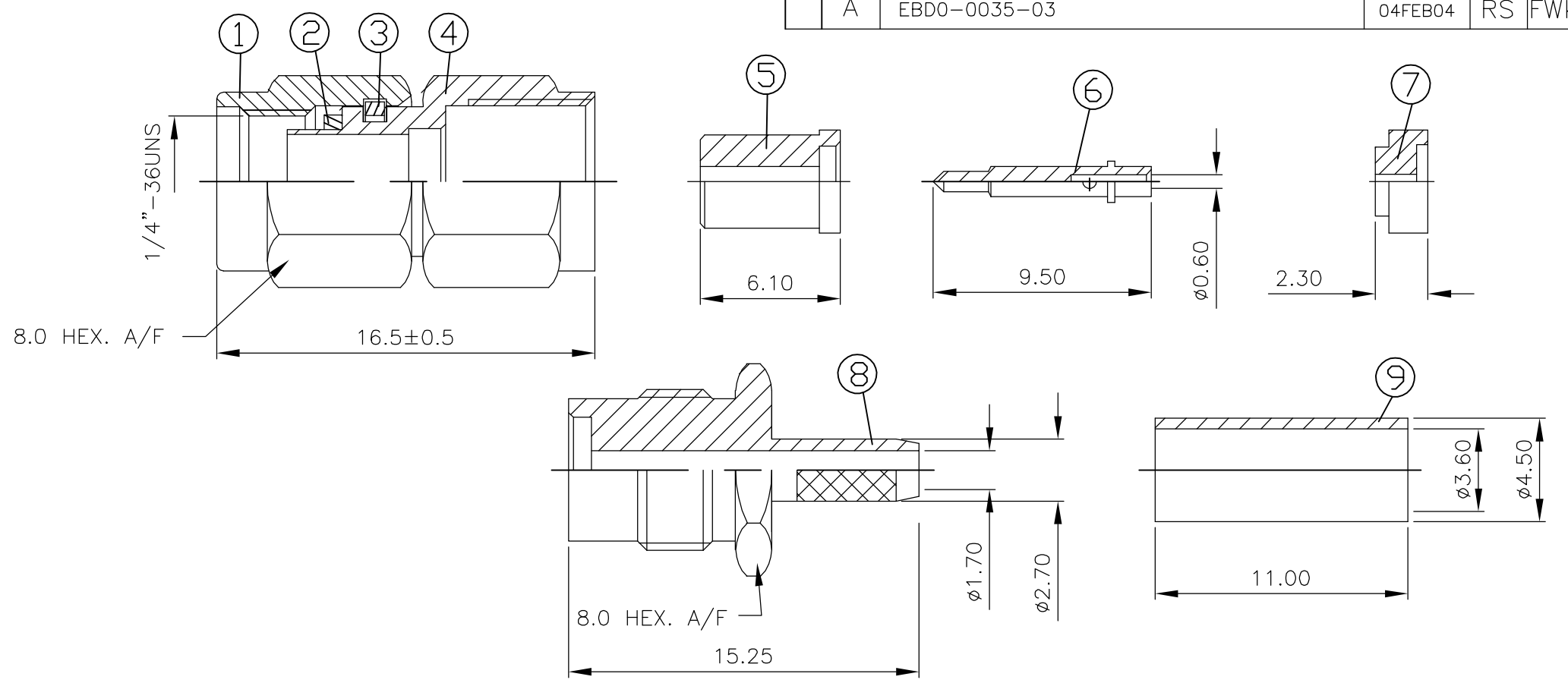


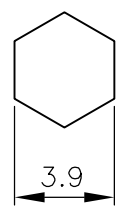
THIS DRAWING IS UNPUBLISHED. RELEASED FOR PUBLICATION APRIL, 2004.
 © COPYRIGHT 2004 BY TYCO ELECTRONICS CORPORATION. ALL RIGHTS RESERVED.

LOC	DIST	P	LTR	DESCRIPTION	DATE	DWN	APVD
E	B		A	EBD0-0035-03	04FEB04	RS	FWK

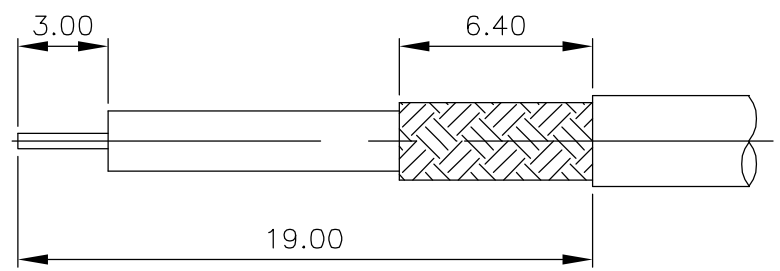
- NOTES:
- ① SINGLE PACK IN ACCORDANCE WITH SPEC 107-3275
 - ② 100 TRAY PACK IN ACCORDANCE WITH SPEC 107-3275
 - ③ 0.08µm Au PLATING OVER 1.27µm Ni PLATING
 - ④ 0.76µm Au PLATING OVER 1.27µm Ni PLATING OVER 0.76µm Cu PLATING
 - ⑤ PASSIVATED
 - ⑥ PLATING AS PER BODY, EXCEPT FOR PASSIVATED WHICH IS NICKEL PLATED
 - 7 HAND TOOL 9-1478240-0
 - 8 DIE SET 9-1478248-0
 - 9 FOR TECHNICAL DATA REFER TO YOUR LOCAL TYCO ELECTRONICS SALES OFFICE
 - 10 ALL DIMENSIONS ARE NOMINAL FOR REFERENCE ONLY UNLESS OTHERWISE STATED



RECOMMENDED CRIMP SLEEVE
A/F HEX



RECOMMENDED CABLE STRIPPING DIM'S



QTY	QTY	QTY	QTY	MATERIAL	DESCRIPTION	ITEM
1	1	1	1	BRASS	⑥ CRIMP SLEEVE	9
1	1	-	-	STAINLESS STEEL	⑤ BODY 2	8
-	-	1	1	STAINLESS STEEL	③ BODY 2	8
1	1	1	1	PTFE	INSULATOR 2	7
1	1	1	1	BRASS	④ CENTER CONTACT	6
1	1	1	1	PTFE	INSULATOR 1	5
1	1	-	-	STAINLESS STEEL	⑤ BODY 1	4
-	-	1	1	STAINLESS STEEL	③ BODY 1	4
1	1	1	1	STAINLESS STEEL	CIRCLIP	3
1	1	1	1	SILICON	GASKET	2
1	1	-	-	STAINLESS STEEL	⑤ SHELL	1
-	-	1	1	STAINLESS STEEL	③ SHELL	1
2--1	2--0	1--1	1--0	MATERIAL	DESCRIPTION	ITEM
②	①	②	①			

THIS DRAWING IS A CONTROLLED DOCUMENT.		DWN R.SMITH 04FEB04	Tyco Electronics Corporation Bideford, UK, EX39 4HE				
DIMENSIONS: mm		CHK S.PARLOW 04FEB04					
TOLERANCES UNLESS OTHERWISE SPECIFIED:		APVD F.WHEELER-KING 04FEB04	NAME SMA STRAIGHT PLUG, SOLDER PIN, CRIMP ATTACHMENT RD316				
0 PLC ± -		PRODUCT SPEC 108-3460					
1 PLC ± -		APPLICATION SPEC 411-3276	SIZE A3	CAGE CODE 00779	DRAWING NO C-1478922	RESTRICTED TO -	
2 PLC ± -		WEIGHT -	CUSTOMER DRAWING		SCALE 1:1	SHEET 1 OF 1	REV A
3 PLC ± -							
4 PLC ± -							
ANGLES ± -							
FINISH -							
MATERIAL SEE TABLE							