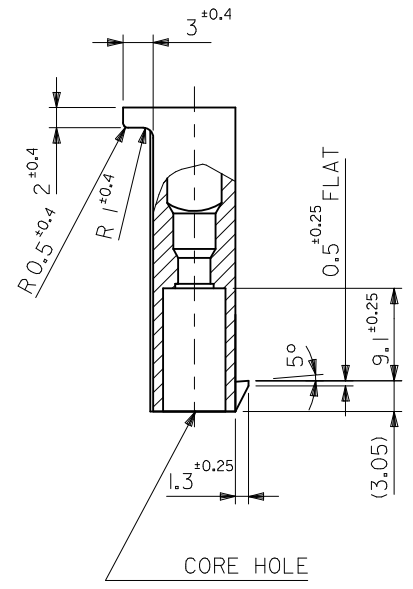
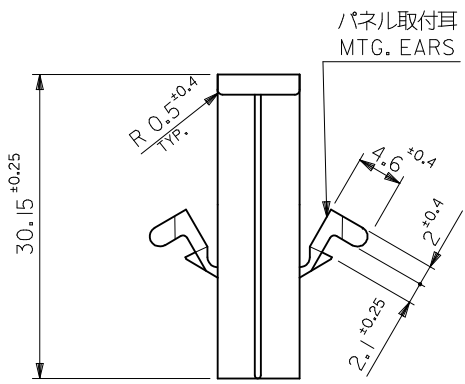
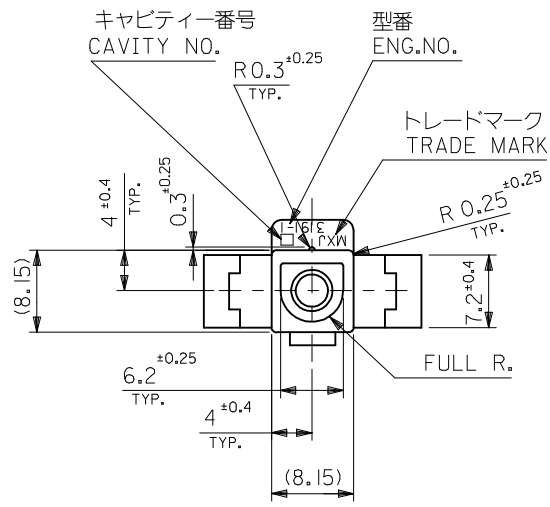


パネル取付穴推奨寸法 (厚さ2.0最大)
 ハウジングの装着はパネル穴打抜き方向より行うこと
 RECOMMENDED PANEL HOLE DIMENSION (THK. 2.0 MAX.)
 ATTACH THE HOUSING FROM THE DIRECTION OF
 PANEL HOLE PUNCHED OUT



注記
 NOTE
 () 内寸法は参考値
 DIMENSIONS IN () ARE REFERENCE



青 BLUE	39-01-8019	3191-01P-BU	NYLON66	94V-2
赤 RED	39-01-9010	3191-01P-RE		
自然色 NATURAL	39-03-6010	3191-01P		
COLOR	EDP. NO.	ENG. NO.	MATERIAL	UL

REVISED EC NO.: J2009-2399 DRWK: TOYODA 2009/05/14 CHKD: MATSUMOTO 2009/05/20 APPR: NUKITA 2009/05/20	DESCRIPTION	GENERAL TOLERANCES (UNLESS SPECIFIED)		DIMENSION STYLE MM ONLY		SCALE 2:1	DESIGN UNITS METRIC	THIRD ANGLE PROJECTION	
		10 UNDER	± ---	DRAWN BY M. NABEI	DATE '07/05/10	TITLE 1 CKT. PLUG HS'G (.093 DIA. TERMINAL)			
		10 OVER 30 UNDER	± ---	CHECKED BY Y. MAEDA	DATE '07/05/10	MOLEX INCORPORATED			
		30 OVER	± ---	APPROVED BY N. NUKITA	DATE '07/05/10				
REV	DESCRIPTION	ANGULAR ± --- ° DRAFT WHERE APPLICABLE MUST REMAIN WITHIN DIMENSIONS		MATERIAL NO. SEE TABLE		DOCUMENT NO. SD-3191-001	SHEET NO. 1 OF 1		