

THIS DRAWING IS UNPUBLISHED. RELEASED FOR PUBLICATION 19NOV2009. ALL RIGHTS RESERVED. © COPYRIGHT 19NOV2009-

LOC	DIST	REVISIONS					
		P	LTR	DESCRIPTION	DATE	DWN	APVD
ES	00		A	ECR-11-017238	20AUG2011	FL	SY
			B1	ECR-12-008938	25NOV2011	JJ	S.Y

NOTES:

1. MATERIALS:

HOUSING: HIGH TEMPERATURE THERMOPLASTIC, HALOGEN FREE. BLUE, PANTONE COLOR 300C.
 CONTACTS: COPPER ALLOY.
 SHIELD: COPPER ALLOY.

2. FINISH:

CONTACT: GOLD PLATING ON CONTACT AREA, 2.54um MIN MATTE TIN ON SOLDER TAILS, 1.27um MIN NICKEL UNDER PLATING.
 SHIELD: 1.78um MIN MATTE TIN ON KINK, 1.27um MIN NICKEL UNDERPLATE

- 3. INTERFACE DIMENSIONS PER USB 3.0 SPECIFICATION.
- 4. ROHS COMPLIANCE.

5. FINISH:

CONTACT: GOLD PLATING ON CONTACT AREA, 2.54um MIN MATTE TIN ON SOLDER TAILS, 1.27um MIN NICKEL UNDER PLATING.
 SHIELD: 0.75um~2um MATTE TIN OVER 1.27um MIN NICKEL.

6. MATERIALS:

HOUSING: HIGH TEMPERATURE THERMOPLASTIC, HALOGEN FREE. BLACK.
 CONTACTS: COPPER ALLOY.
 SHIELD: COPPER ALLOY.

7. IT IS COMPATIBLE WITH 109-201 CONDITION B.

8. THIS PART IS PRELIMINARY.

PACKAGE	DIM D	DIM C	DIM B	DIM A	PCB THICKNESS	GOLD PLATING ON CONTACT AREA	FINISHED	HOUSING COLOR	MATERIAL	PART NO.
TRAY	3.23	2.55	-	-	1.60	0.38um MIN GOLD	5	BLUE	1	2-1932355-2
	2.83	2.30	-	-	1.60	0.38um MIN GOLD	5	BLUE	1	2-1932355-1
TAPE & REEL	-	-	3.51	2.30	1.60	0.38um MIN GOLD	2	BLACK	6	1-1932355-5
	-	-	3.51	2.30	1.60	0.38um MIN GOLD	2	BLUE	1	1-1932355-4
TRAY	-	-	3.51	3.18	1.60	GOLD FLASH	2	BLUE	1	1-1932355-3
						0.38um MIN GOLD	2	BLUE	1	1-1932355-2
						0.76um MIN GOLD	2	BLUE	1	1-1932355-1
						GOLD FLASH	5	BLUE	1	1932355-9
	3.23	2.55	-	-	2.00	0.38um MIN GOLD	5	BLUE	1	1932355-8
						0.76um MIN GOLD	5	BLUE	1	1932355-7
	2.83	2.30	-	-	1.60	GOLD FLASH	5	BLUE	1	1932355-6
						0.38um MIN GOLD	5	BLUE	1	1932355-5
						0.76um MIN GOLD	5	BLACK	1	1-1932355-6
						0.76um MIN GOLD	5	BLUE	1	1932355-4
-	-	3.51	2.30	1.60	GOLD FLASH	2	BLUE	1	1932355-3	
					0.38um MIN GOLD	2	BLUE	1	1932355-2	
						0.76um MIN GOLD	2	BLUE	1	1932355-1

THIS DRAWING IS A CONTROLLED DOCUMENT.

DWN FRANCIS LEE 22AUG2011
 CHK MARTIN LI 22AUG2011
 APVD STEVEN YAO 22AUG2011

STE TE Connectivity

NAME: USB 3.0 STACKED A TYPE RECEPTACLE

SIZE: A2 CAGE CODE: 00779 DRAWING NO: 1932355 RESTRICTED TO: -

SCALE: 4:1 SHEET: 1 of 6 REV: B1

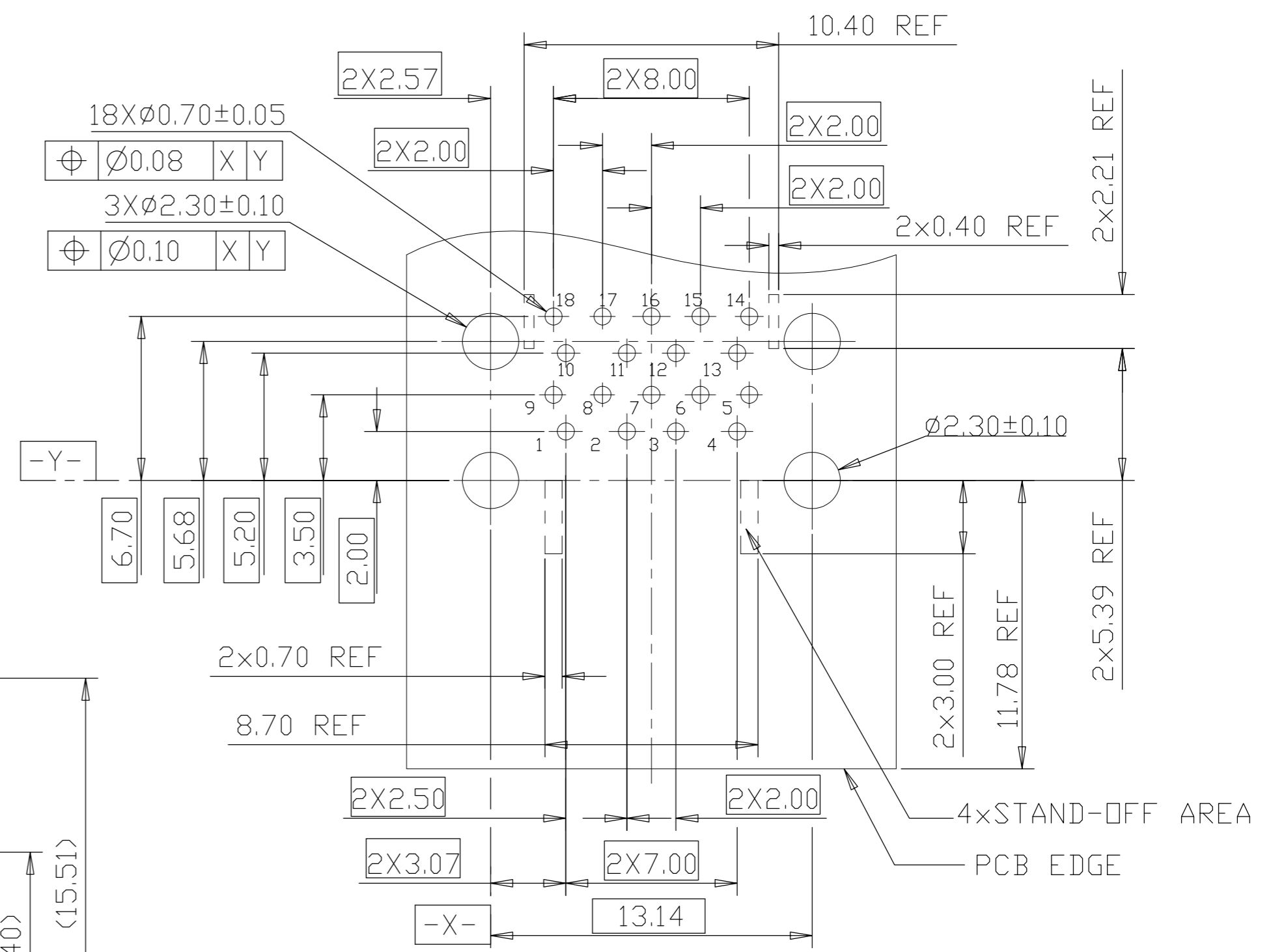
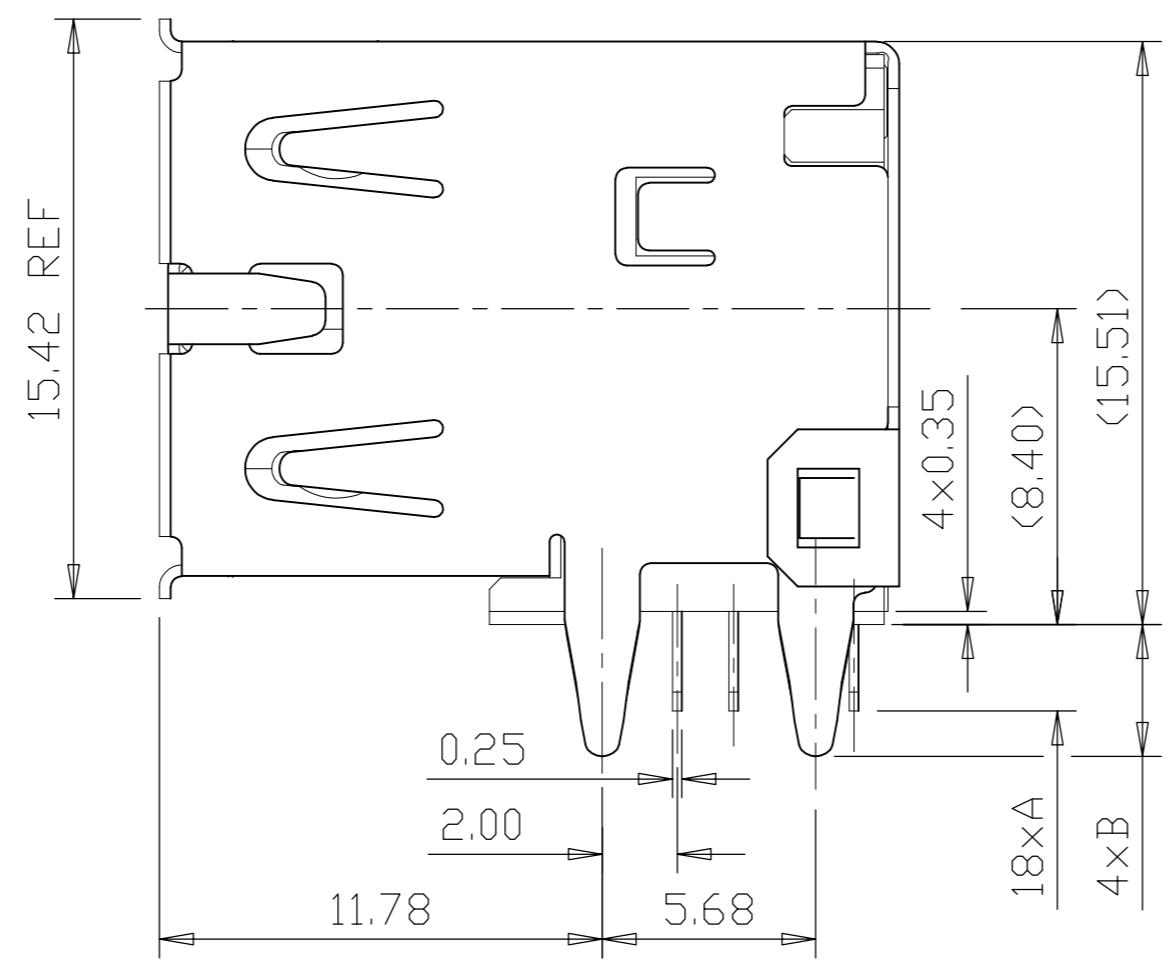
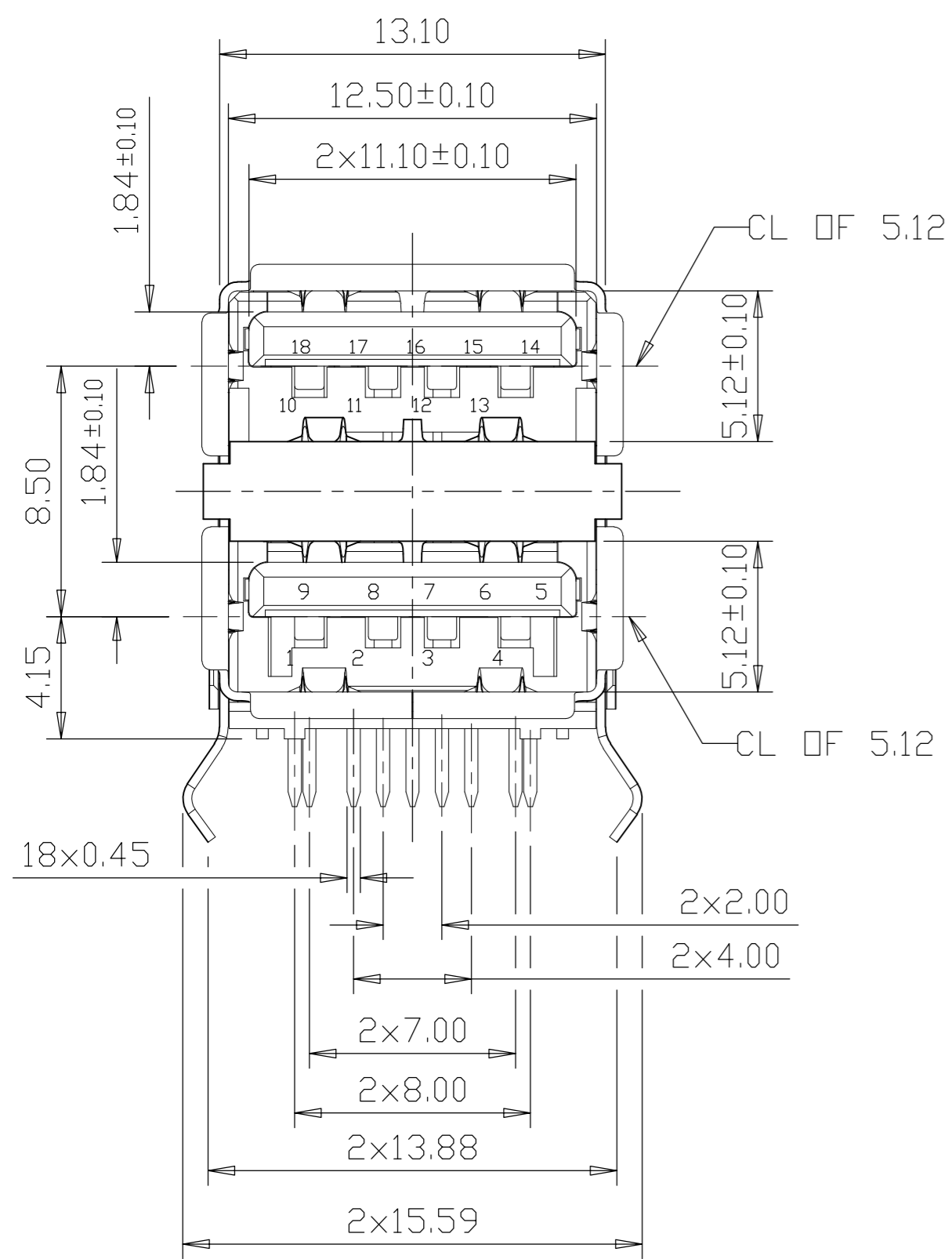
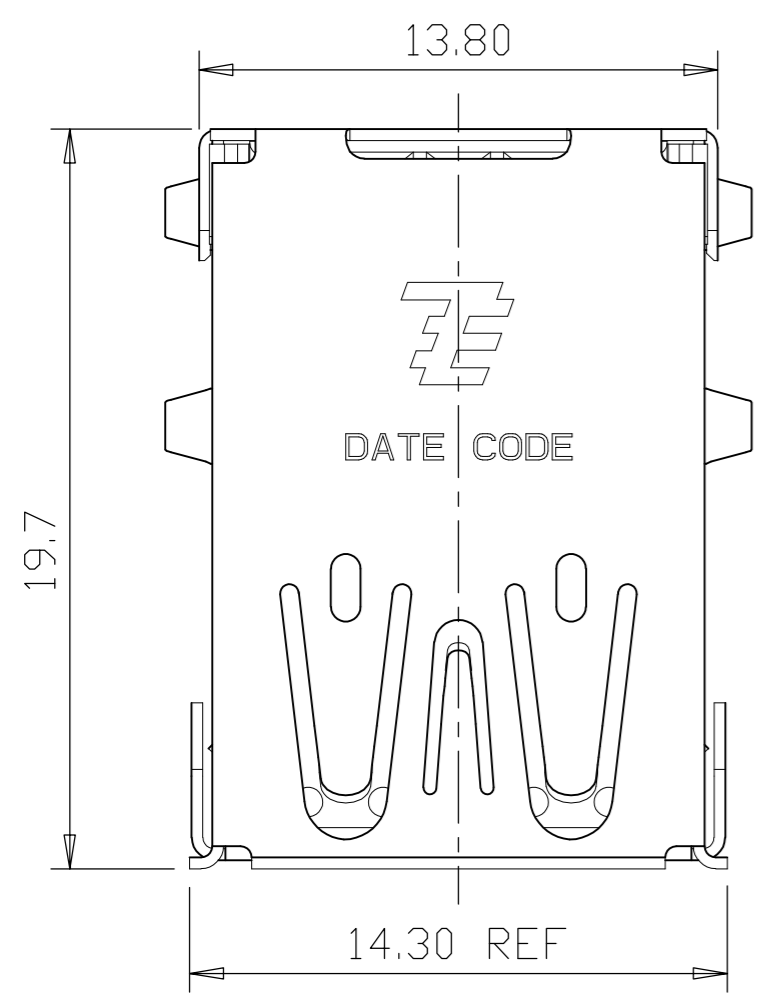
DIMENSIONS:	TOLERANCES UNLESS OTHERWISE SPECIFIED:
mm	0 PLC ± -
	1 PLC ± 0.3
	2 PLC ± 0.25
	3 PLC ± 0.05
	4 PLC ± 0.05
	ANGLES ± F.L
MATERIAL:	FINISH:
-	-

THIS DRAWING IS UNPUBLISHED. RELEASED FOR PUBLICATION 19NOV2009. ALL RIGHTS RESERVED.

LOC		DIST		REVISIONS			
P	LTR	DESCRIPTION	DATE	DWN	APVD		
ES	00	SEE SHEET 1	-	-	-		

PIN ASIGNMENTS:

PIN NO.	Signal Name	Remark
1	10	VBUS
2	11	D-
3	12	D+
4	13	GND
5	14	StdA_SSRX-
6	15	StdA_SSRX+
7	16	GND_Drain
8	17	StdA_SSTX-
9	18	StdA_SSTX+



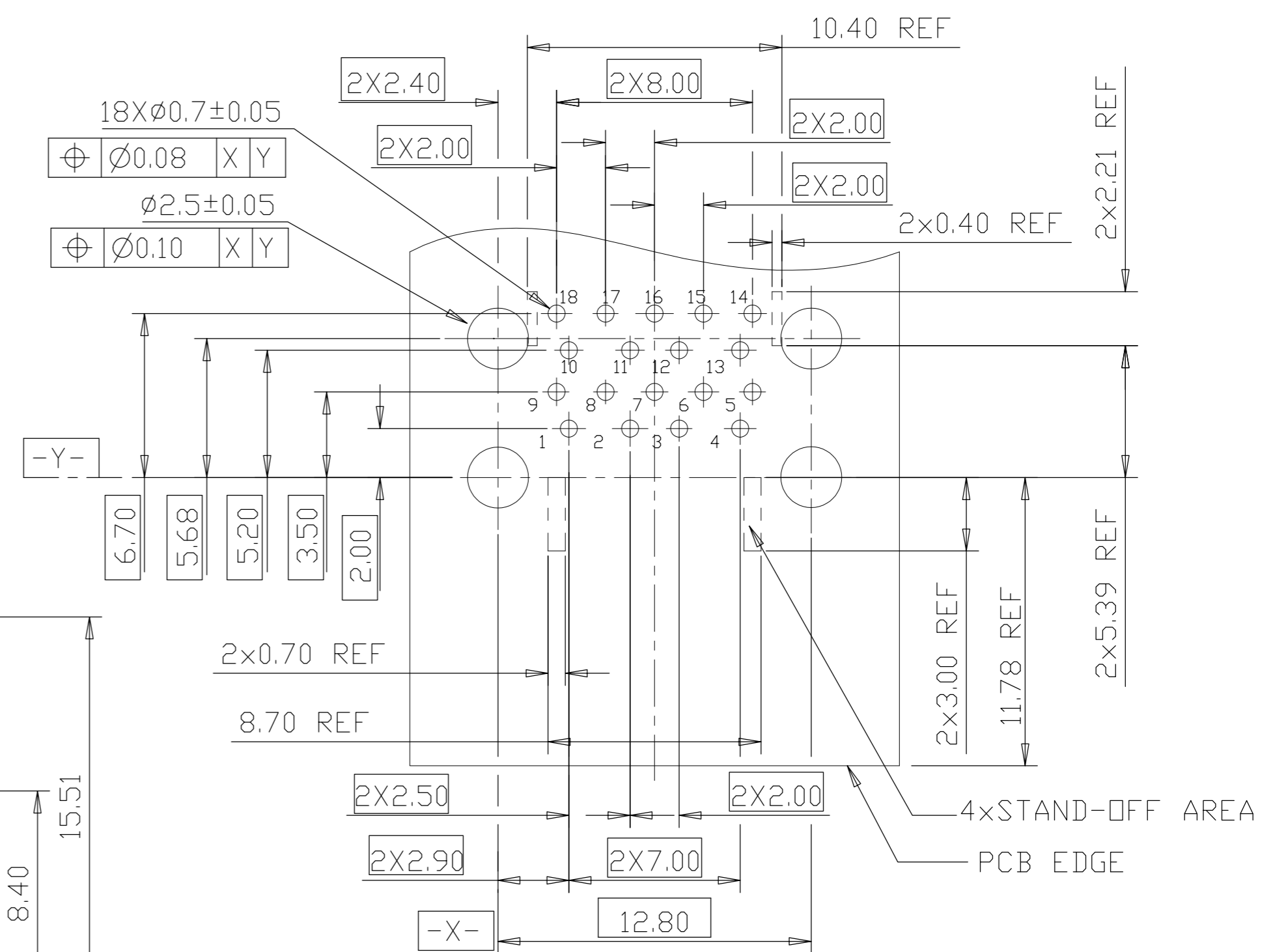
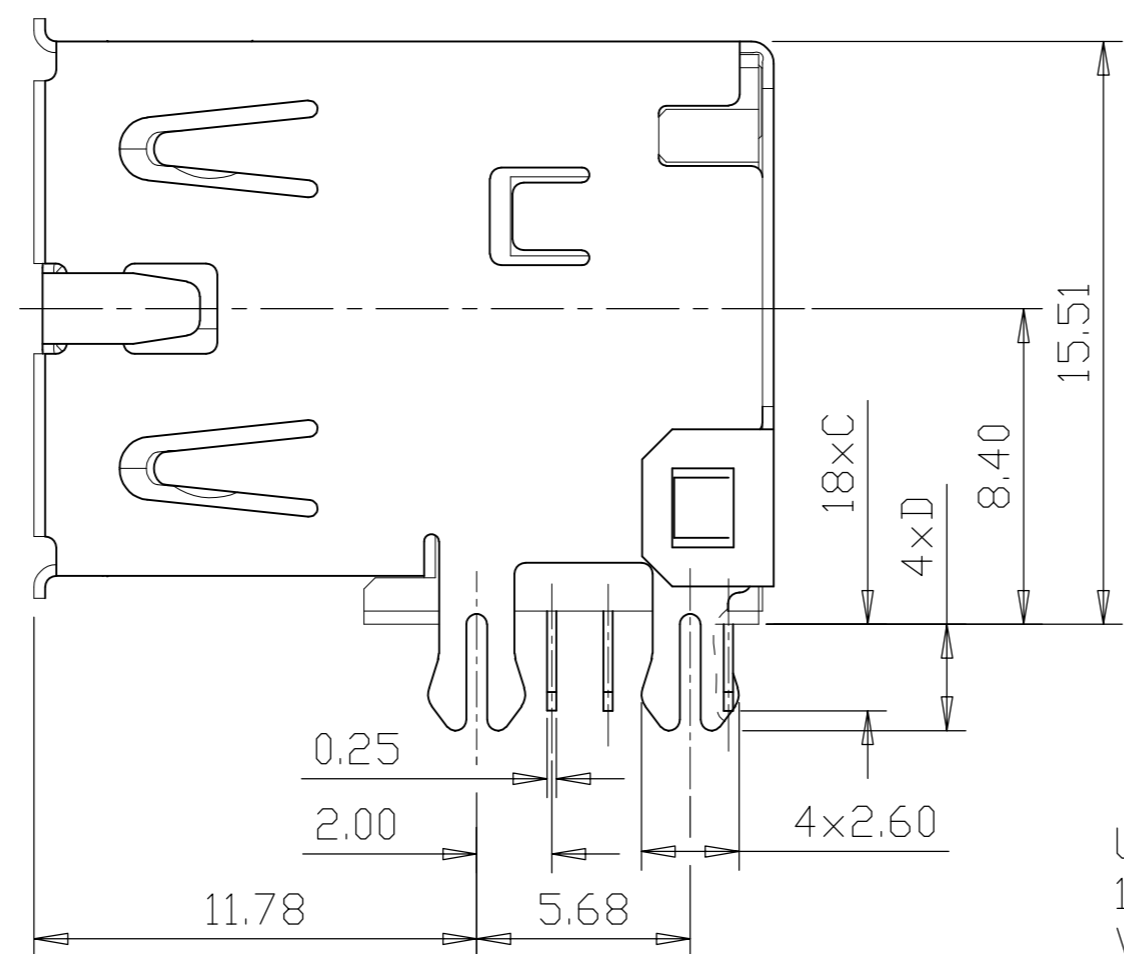
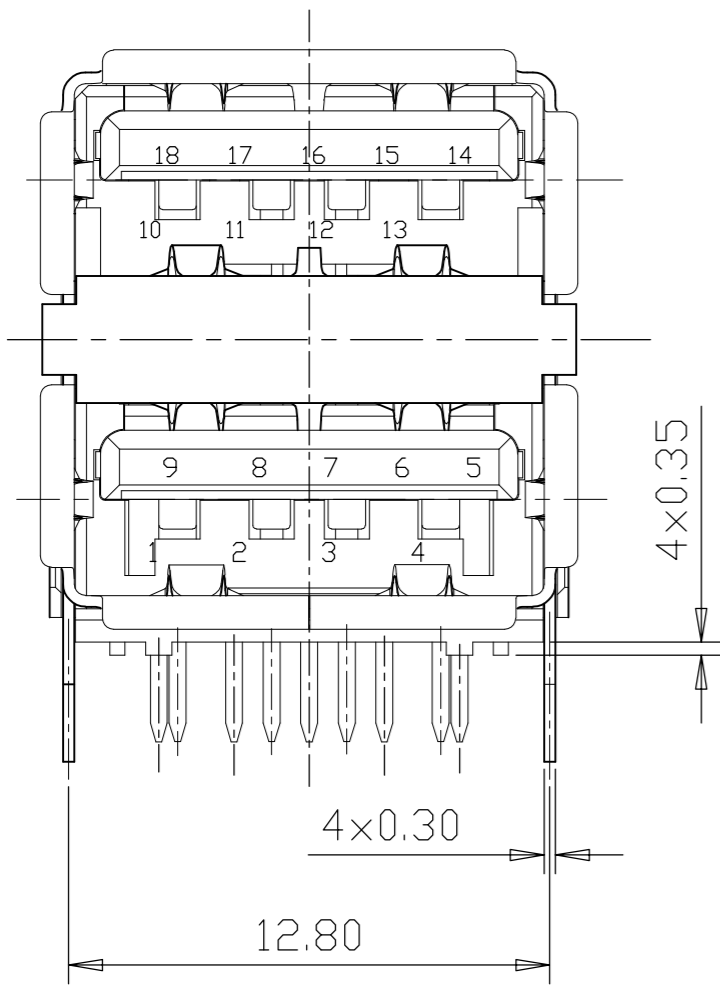
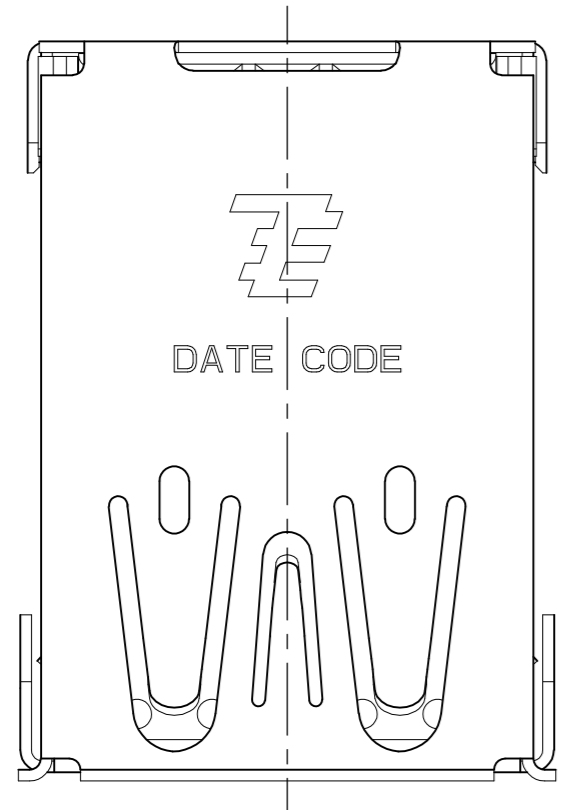
RECOMMENDED PCB LAYOUT (CONNECTOR SIDE)
THE TOLERANCE OF PCB IS ±0.05mm

USB 3.0 CONNECTOR,
1932355-1,-2,-3 AND
1-1932355-1,-2,-3,-4,-5 WITH KINKS
AS SHOWN.

THIS DRAWING IS A CONTROLLED DOCUMENT.		DWN FRANCIS LEE 22AUG2011		TE Connectivity		
DIMENSIONS: mm		CHK MARTIN LI 22AUG2011		NAME		
TOLERANCES UNLESS OTHERWISE SPECIFIED:		APVD STEVEN YAO 22AUG2011		USB 3.0 STACKED A TYPE RECEPTACLE		
0 PLC ± - 1 PLC ± 0.3 2 PLC ± 0.25 3 PLC ± 0.05 4 PLC ± 0.05 ANGLES ± - FINISH		PRODUCT SPEC		SIZE A2	CAGE CODE 00779	DRAWING NO C=1932355
MATERIAL		APPLICATION SPEC	RESTRICTED TO	-		
		WEIGHT	CUSTOMER DRAWING		SCALE 4:1	
			SHEET 2 of 6		REV B1	

THIS DRAWING IS UNPUBLISHED. RELEASED FOR PUBLICATION 19NOV2009. ALL RIGHTS RESERVED. © COPYRIGHT 19NOV2009-

LOC		DIST		REVISIONS			
P	LTR	DESCRIPTION		DATE	DWN	APVD	
ES	00	SEE SHEET 1		-	-	-	



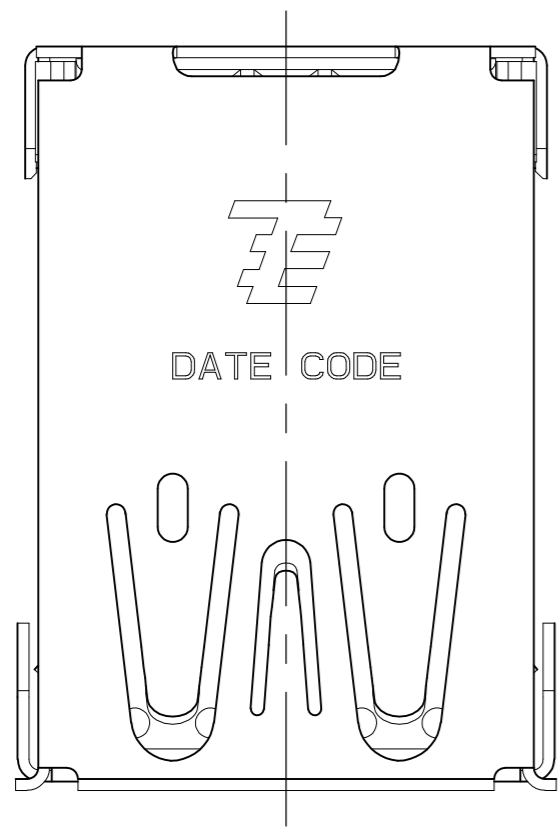
RECOMMENDED PCB LAYOUT (CONNECTOR SIDE)
THE TOLERANCE OF PCB IS \pm 0.05mm

USB 3.0 CONNECTOR
1932355-4,-5,-6,-7,-8,-9;1-1932355-6
WITH HOOKS, AS SHOWN;
UNMARKED SAME AS 1932355-1.

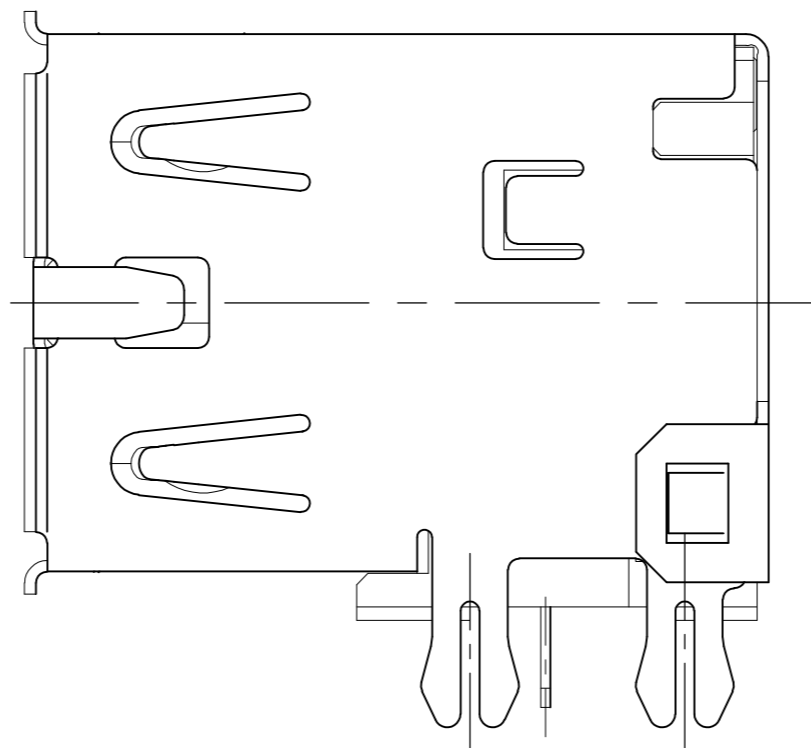
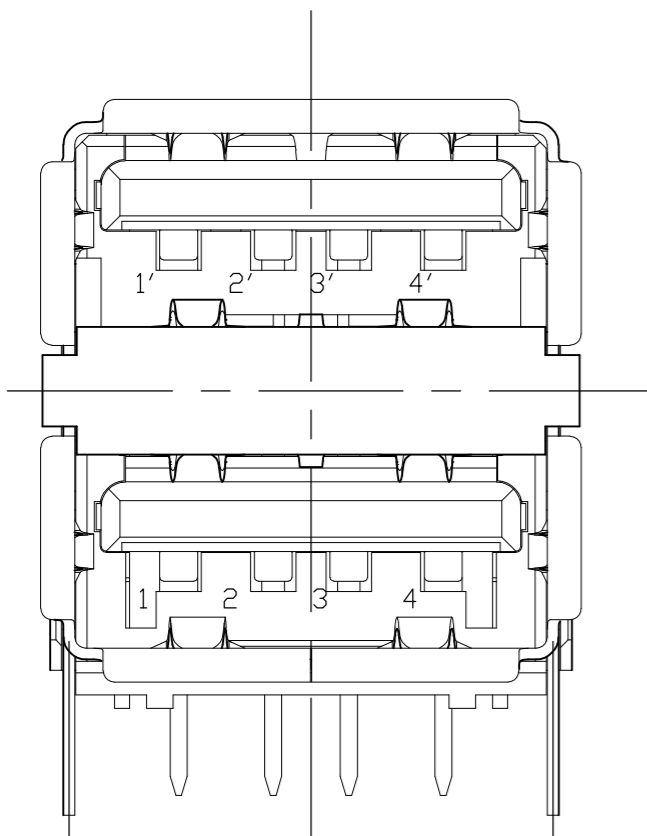
THIS DRAWING IS A CONTROLLED DOCUMENT.		DWN FRANCIS LEE 22AUG2011		TE Connectivity		
DIMENSIONS: mm		CHK MARTIN LI 22AUG2011		NAME		
TOLERANCES UNLESS OTHERWISE SPECIFIED:		APVD STEVEN YAO 22AUG2011		USB 3.0 STACKED A TYPE RECEPTACLE		
0 PLC \pm - 1 PLC \pm 0.3 2 PLC \pm 0.25 3 PLC \pm 0.05 4 PLC \pm 0.05 ANGLES \pm F.L		PRODUCT SPEC		SIZE A2	CAGE CODE 00779	DRAWING NO C=1932355
MATERIAL		FINISH	WEIGHT	SCALE 4:1	SHEET 3 OF 6	RESTRICTED TO
			CUSTOMER DRAWING	REV B1		

THIS DRAWING IS UNPUBLISHED. RELEASED FOR PUBLICATION 19NOV2009, - .
 © COPYRIGHT 19NOV2009- ALL RIGHTS RESERVED.

LOC		DIST		REVISIONS			
P	LTR	DESCRIPTION	DATE	DWN	APVD		
-	-	SEE SHEET 1	-	-	-		



RECOMMENDED PCB LAYOUT PLEASE REFER TO PAGE: 3/6

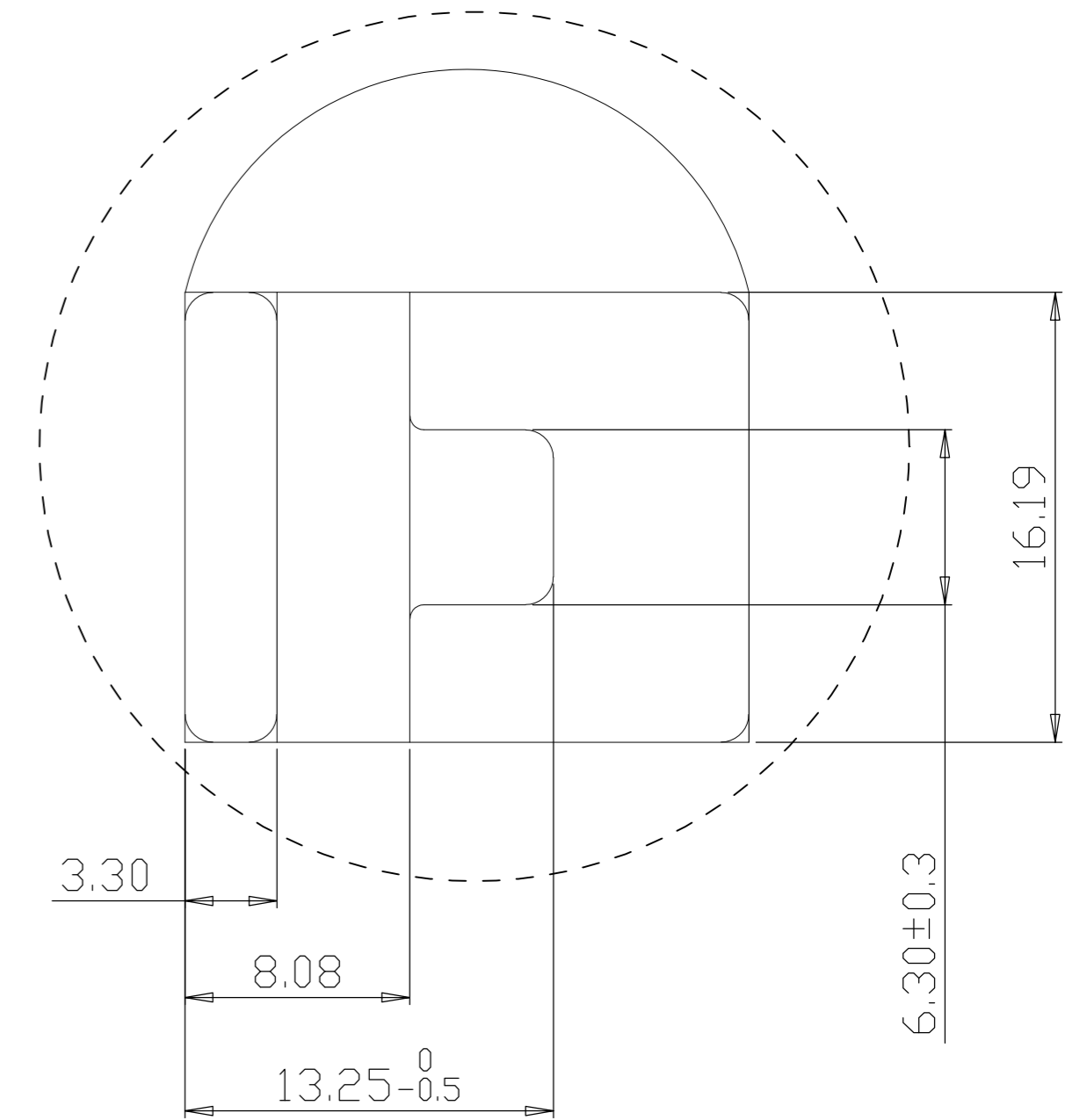
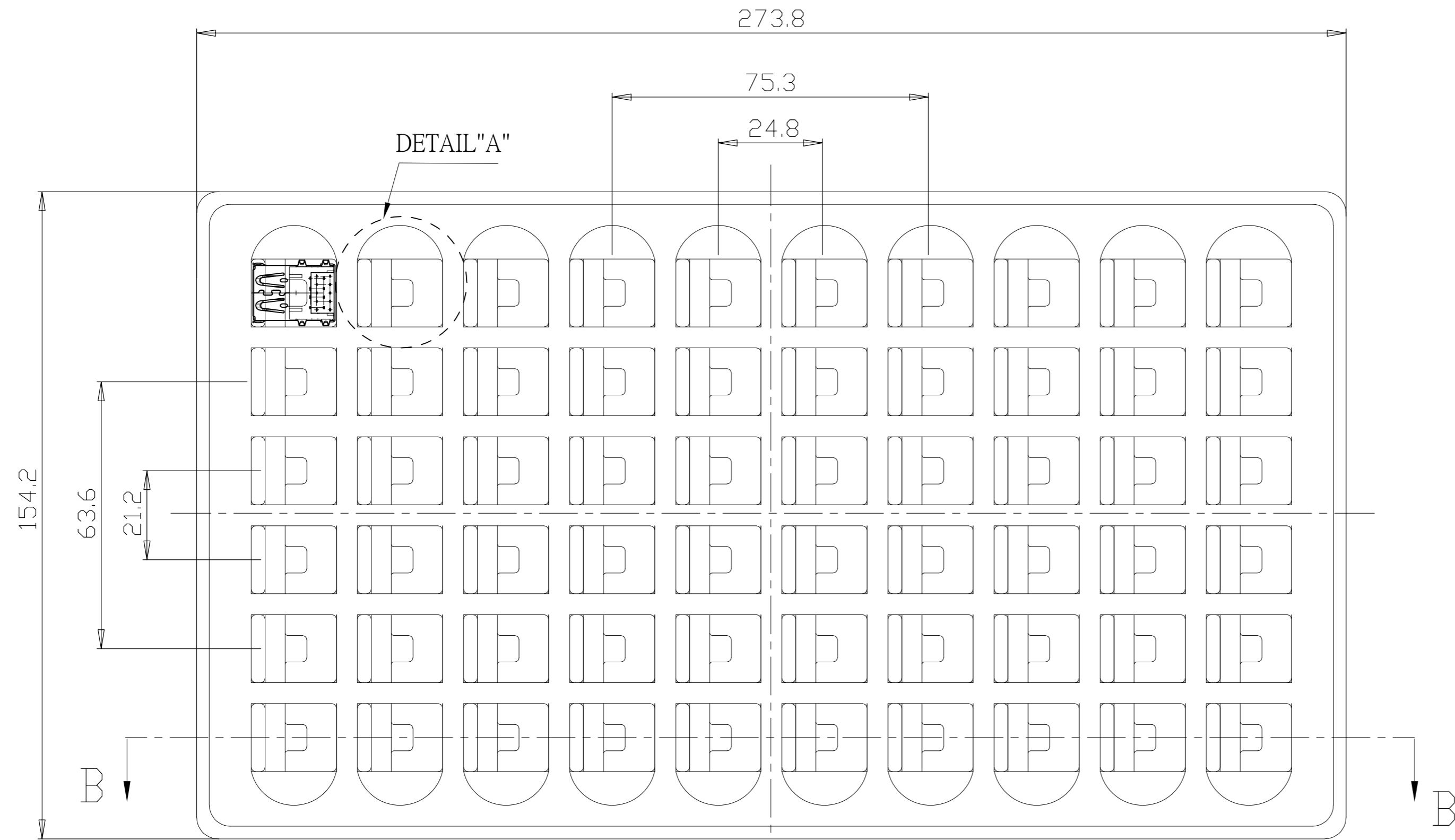


USB 2.0 CONNECTOR.
 2-1932355-1,-2 WITH HOOKS, AS SHOWN;
 UNMARKED SAME AS 1932355-5.

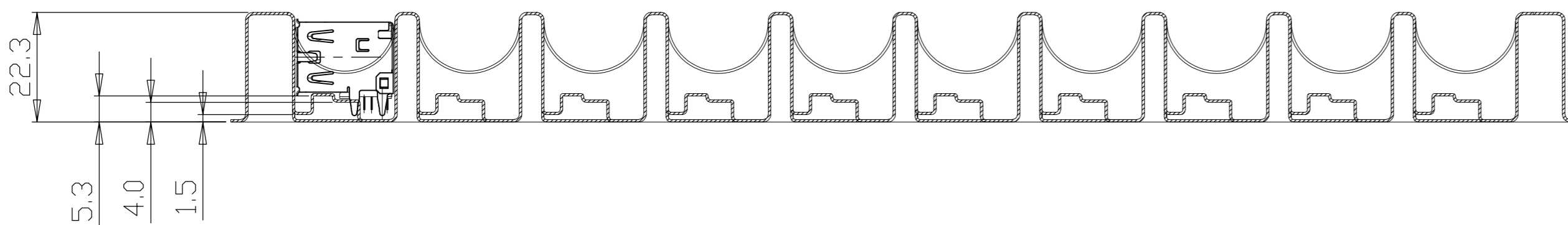
THIS DRAWING IS A CONTROLLED DOCUMENT.		DWN FRANCIS LEE 22AUG2011	STE TE Connectivity	
DIMENSIONS: mm		CHK MARTIN LI 22AUG2011		
TOLERANCES UNLESS OTHERWISE SPECIFIED:		APVD STEVEN YAO 22AUG2011	NAME	
0 PLC ± -		PRODUCT SPEC	USB 2.0 STACKED A TYPE RECEPTACLE PACKING DRAWING	
1 PLC ± 0.3		APPLICATION SPEC	SIZE A2	CAGE CODE 00779
2 PLC ± 0.25		WEIGHT -	DRAWING NO C=1932355	RESTRICTED TO -
3 PLC ± 0.05		CUSTOMER DRAWING	SCALE 4:1	SHEET 4 OF 6
4 PLC ± 0.05			REV B1	
ANGLES ± F.L				
FINISH -				

THIS DRAWING IS UNPUBLISHED. RELEASED FOR PUBLICATION 19NOV2009, -
 © COPYRIGHT 19NOV2009- ALL RIGHTS RESERVED.

LOC		DIST		REVISIONS			
P	LTR	DESCRIPTION		DATE	DWN	APVD	
-	-	SEE SHEET 1		-	-	-	



DETAIL A
SCALE: 4:1



TRAY PACKAGE ONLY FOR
 1932355-1,-2,-3,-4,-5,-6,-7,-8,-9
 AND 1-1932355-1,-2,-3,-6
 AND 2-1932355-1,-2

THIS DRAWING IS A CONTROLLED DOCUMENT.		DWN FRANCS LEE 22AUG2011	TE TE Connectivity		
DIMENSIONS: mm		CHK MARTIN LI 22AUG2011			
TOLERANCES UNLESS OTHERWISE SPECIFIED:		APVD STEVEN YAO 22AUG2011	NAME USB 2.0/3.0 STACKED A TYPE RECEPTACLE PACKING DRAWING		
0 PLC ± - 1 PLC ± 0.3 2 PLC ± 0.25 3 PLC ± 0.05 4 PLC ± 0.05 ANGLES ± F.L		PRODUCT SPEC -	SIZE A2	CAGE CODE 00779	DRAWING NO C=1932355
MATERIAL -		FINISH -	WEIGHT -	RESTRICTED TO -	SCALE 1:1
CUSTOMER DRAWING			SHEET 5 of 6	REV B1	

4

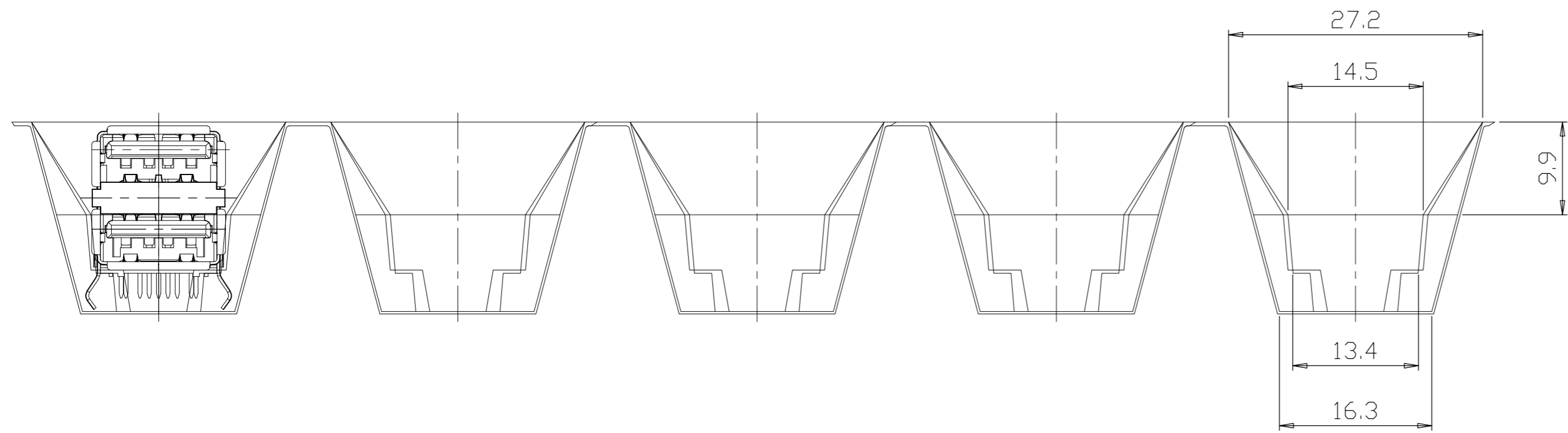
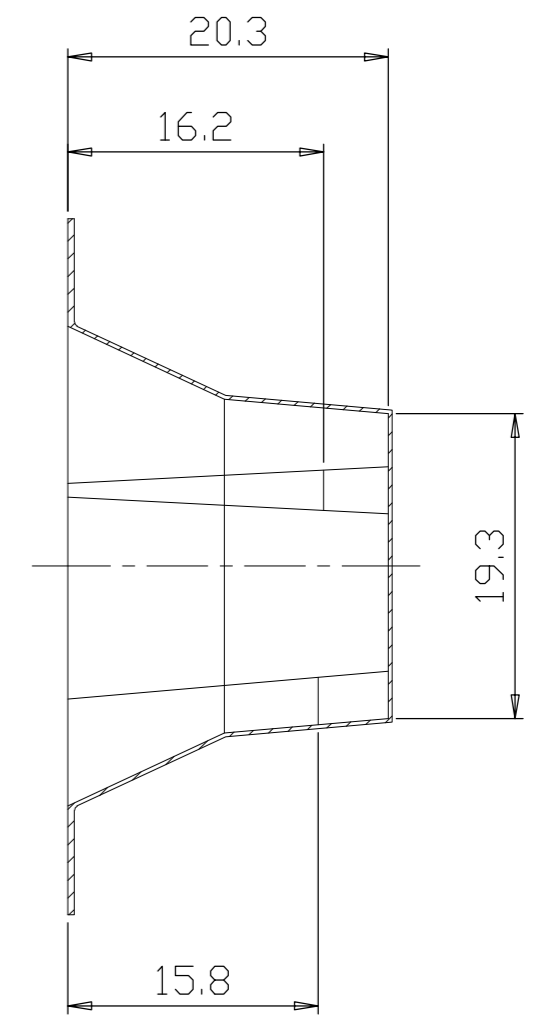
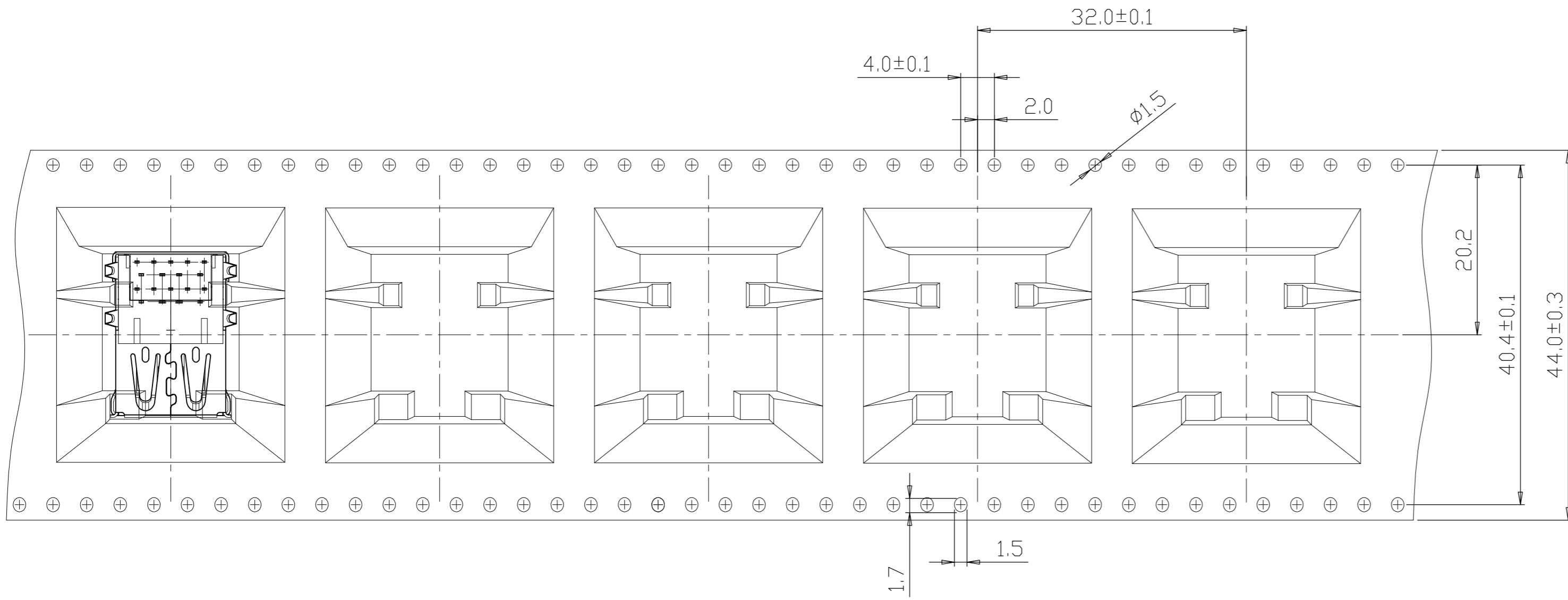
3

2

1

THIS DRAWING IS UNPUBLISHED. RELEASED FOR PUBLICATION 19NOV2009, -
 © COPYRIGHT 19NOV2009- ALL RIGHTS RESERVED.

LOC	DIST	REVISIONS					
ES	00	P	LTR	DESCRIPTION	DATE	DWN	APVD
		-		SEE SHEET 1	-	-	-



TAPE REEL PACKAGE ONLY FOR
1-1932355-4,-5

THIS DRAWING IS A CONTROLLED DOCUMENT.		DWN FRANCIS LEE 22AUG2011	TE TE Connectivity	
DIMENSIONS: mm		CHK MARTIN LI 22AUG2011		
TOLERANCES UNLESS OTHERWISE SPECIFIED:		APVD STEVEN YAO 22AUG2011	NAME	
0 PLC ± -		PRODUCT SPEC	USB 3.0 STACKED A TYPE RECEPTACLE PACKING DRAWING	
1 PLC ± 0.30		APPLICATION SPEC	SIZE A2	CAGE CODE 00779
2 PLC ± 0.25		WEIGHT -	DRAWING NO C=1932355	RESTRICTED TO -
3 PLC ± 0.05		CUSTOMER DRAWING	SCALE 1:1	SHEET 6 OF 6
4 PLC ± 0.05				REV B1
ANGLES ± F.L				
FINISH -				