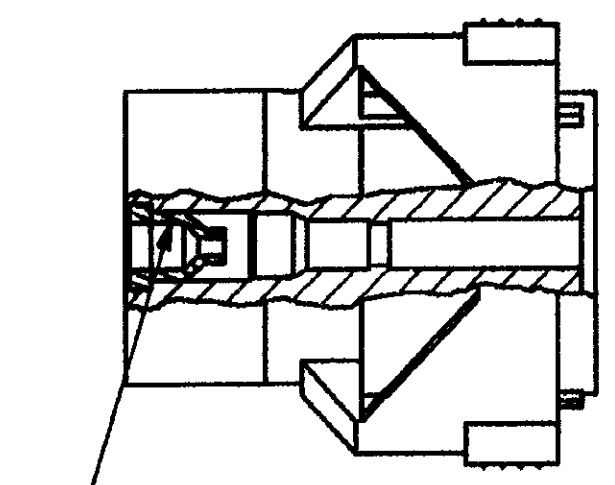
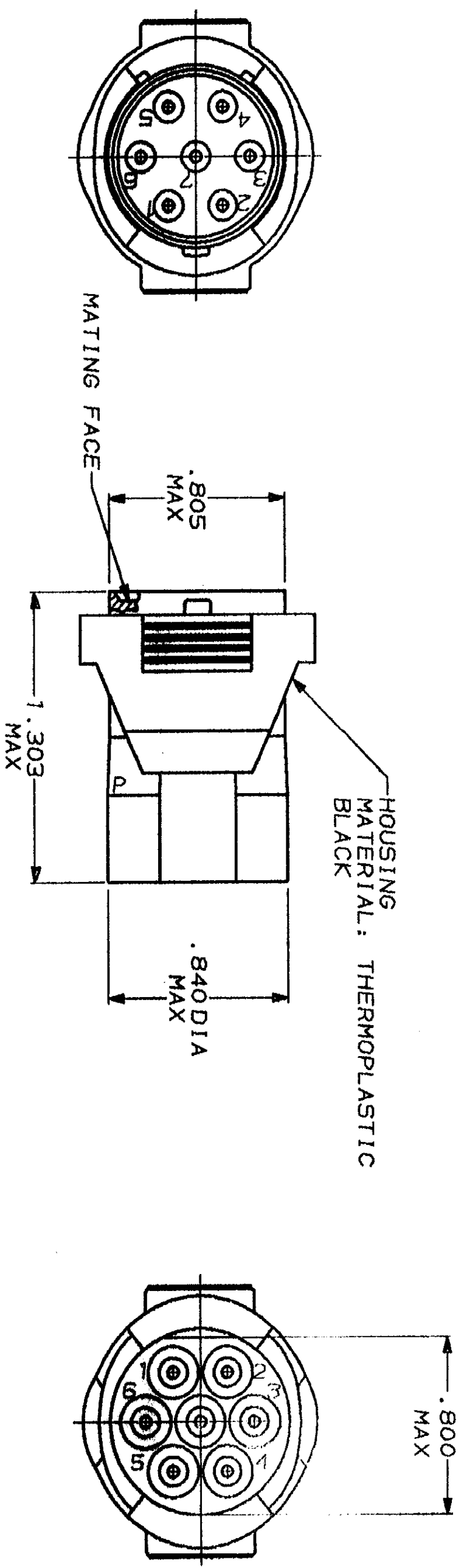


DRAWING MADE IN THIRD ANGLE PROJECTION  
 THIS DRAWING IS UNPUBLISHED. RELEASED FOR PUBLICATION  
 © COPYRIGHT 19 BY AMP INCORPORATED. ALL INTERNATIONAL RIGHTS RESERVED.

MOD	LOC	DIST	REVISIONS	
23	BD	39	DESCRIPTION	DATE
			REDRAWN AND REV PER ECN BD4183	8-17-80
				APRD
				K.B.



1. WIRE INSULATION SEALING RANGE .070-.130 DIA.
2. THIN MEMBRANE PERMISSIBLE ON SMALL DIAMETER OF WIRE SEALS.

207575-1  
 PART NUMBER

DO NOT SCALE PRINT. DIMENSIONS SPECIFIED IN INCHES. TOLERANCES ON: 1 P L C DEC # - 2 P L C DEC # - 3 P L C DEC # - ANGLES # - MATERIAL		DR 8-17-80 J. SALUCI: BS	DATE 1-5-91	NAME
SEE CALLOUT		CHKD <i>[Signature]</i>	1-18-91	AMP INCORPORATED HARTFORD, CT. 06183
FINISH -		APRD <i>[Signature]</i>	1/29/91	PLUG, 7 POSN, STANDARD, CIRCULAR SEALED CONNECTOR
APPLICATION SPEC -		PRODUCT SPEC	SCALE 2:1	FSCN NO 00779
WEIGHT -			SHEET 1 OF 1	DRAWING NO 207575