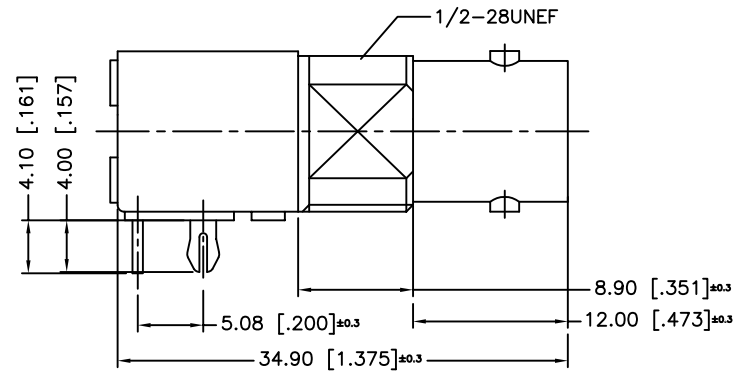
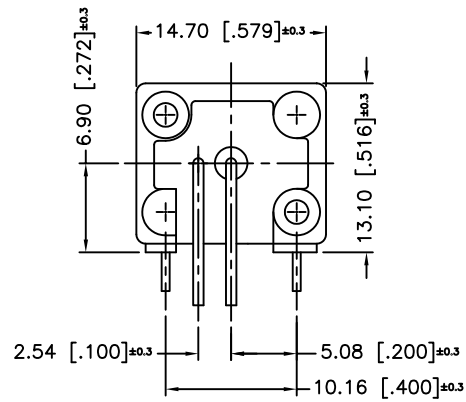
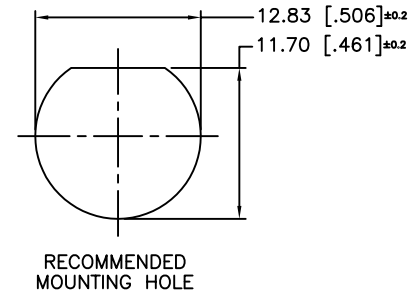
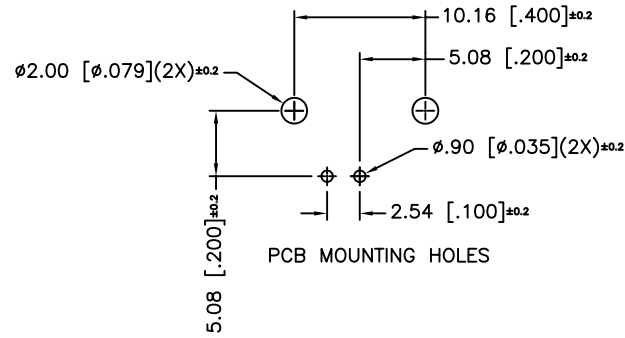


REV.	DATE	ECR NO	DESCRIPTION
A	09/11/03	--	MODIFY BODY DIMENSIONS
B	03/30/08	--	REVISE MOUNTING PINS, ADD FLAT TO THREADED AREA
C	02/25/10	2012	HARDWARES REMOVED



NOTE:

1. MAX. PANEL THICKNESS = 5mm

DESCRIPTION	MATERIAL	FINISH	QTY	UNLESS OTHERWISE SPECIFIED DIMENSIONS ARE IN MILLIMETERS. DIMENSIONS IN [] ARE IN INCHES AND FOR CUSTOMER REFERENCE ONLY.	APPROVALS	DATE	Amphenol Connex							
5	MOUNTING POST	BRASS	TIN PLATE	1	UNLESS OTHERWISE SPECIFIED TOLERANCES FOR MILLIMETERS ARE: 0.5 - 8mm ± 0.20mm 8 - 30mm ± 0.40mm 30 - 120mm ± 0.50mm UNLESS OTHERWISE SPECIFIED TOLERANCES FOR INCHES ARE: .020 - .315 = ± 0.007" .315 - 1.180 = ± 0.015" 1.180 - 4.724 = ± 0.020" DO NOT SCALE DRAWING	DRAWN	CLEMENT	02/25/10	PART DESCRIPTION BNC R/A PCB MOUNT RECEPT. JACK (LOW PROFILE)					
4	POST	COPPER	TIN PLATE	1		CHECKED								
3	CONTACT PIN	PHOS. BRONZE	GOLD	1		ISSUED			PART NO. 112494					
2	INSULATOR	P.P.	NATURAL	1		SHEET	1 OF 1							
1	BODY	ZINC DIECAST	NICKEL	1		CAD FILE	C:/112/112494.DWG	DWG. NO.	112494.DWG	REV.	C	SIZE	A	SCALE