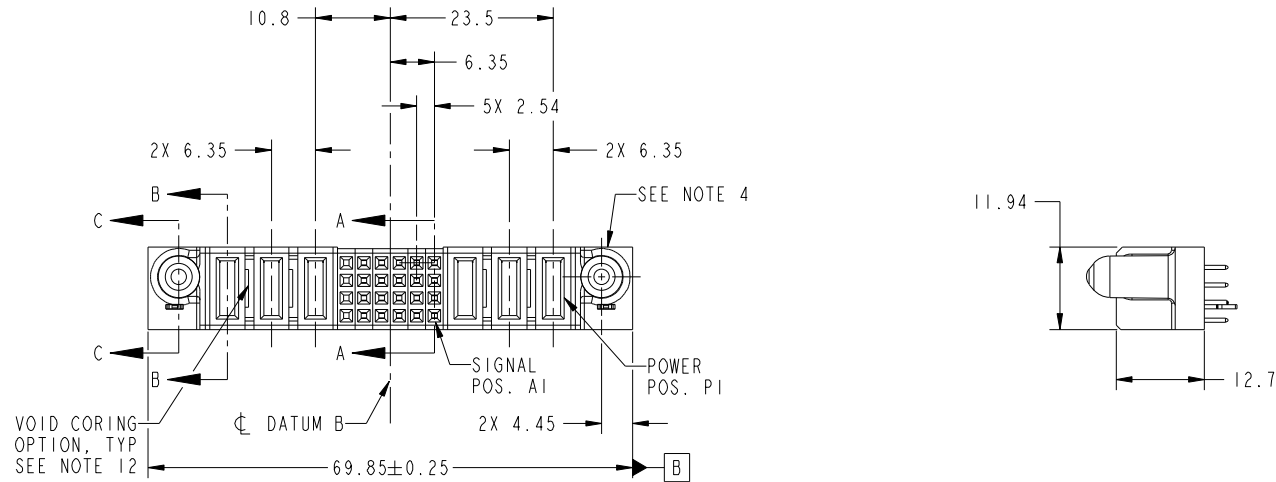


Tous droits strictement reserves. Reproduction ou communication a des tiers interdite sous quelque forme que ce soit sans autorisation écrite du propriétaire. Propriete de c FCI. Droits de reproduction FCI.



All rights strictly reserved. Reproduction or issue to third parties in any form whatever is not permitted without written authority from the proprietor. Property of FCI. Copyright FCI.

PRODUCT NO.	ROWS	POWER				SIGNAL					POWER			E1				
		E2	P6	P5	P4	6	5	4	3	2	1	P3	P2		P1			
51750-095_... NOTE: 3	D C B A		PD	PA	PD	X	E	E	E	E	E	E	E	E	PA	PD	PA	



CODE	DIM "M" MATING LENGTH	CONTACT TYPE
E	[N/A]	SIGNAL
PD	[2.34]	POWER
PA	[1.07]	POWER
HA	[N/A]	HOLD-DOWN
X	OMITTED	OMITTED

mat'l code				SEE NOTES		tolerances unless otherwise specified		CUSTOMER		FCI	
ltr	ecn no.	dr	date	linear	0.X ±0.5	projection	COPY		www.fciconnect.com		
A	DG10-0050	WL	2/05/10	angles	0.XX ±0.25		title		3P + 24S + 3P		
				dr	0.XXX ±0.1		product family		PwrBlade		code
				enr	0° +2°	scale	size		dwg no		213
				chr	WL ZHANG 2/05/10	1:1	A		51750-095		sheet
				appd	WL ZHANG 2/05/10						1 of 4
					PM ZHENG 2/05/10						
					JOSEPH HSIA 2/05/10						
sheet index	revision sheet	A	A	A	A						
		1	2	3	4						

cage code 22526

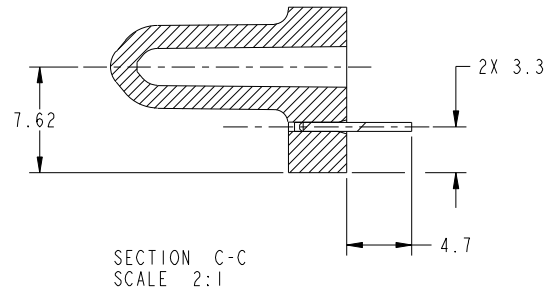
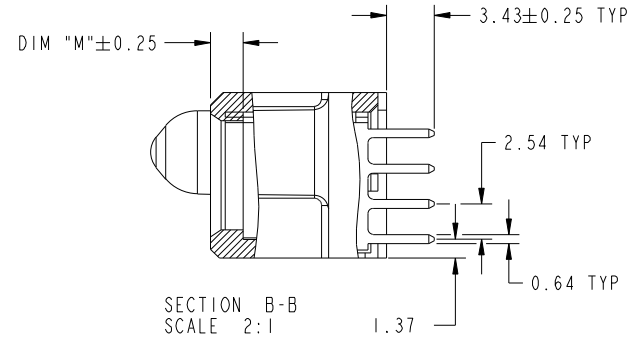
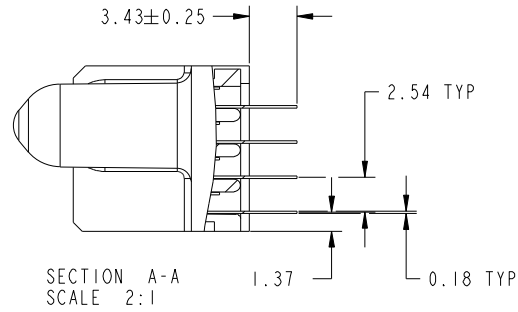
Pro/E

Tous droits strictement reserves. Reproduction ou communication a des tiers interdite sous quelque forme que ce soit sans autorisation écrite du propriétaire. Propriete de c FCI. Droits de reproduction FCI.



All rights strictly reserved. Reproduction or issue to third parties in any form whatever is not permitted without written authority from the proprietor. Property of FCI. Copyright FCI.

PRODUCT NUMBER  
51750-095\_  
NOTE: 3



mat'l code				tolerances unless otherwise specified		CUSTOMER		FCI	
ltr	ecn no.	dr	date	linear	0.X ±0.5	COPY		www.fciconnect.com	
A				linear	0.XX ±0.25	projection		title	
				angles	0.XXX ±0.1			3P + 24S + 3P VERTICAL SOLDER RECEPT	
				dr	0° ±2°			product family PwrBlade code	
				enr	WL ZHANG 2/05/10	scale		size	
				chr	WL ZHANG 2/05/10	1:1		dwg no 213	
				appd	PM ZHENG 2/05/10			sheet	
					JOSEPH HSIA 2/05/10			2 of 4	
sheet index		revision sheet							

cage code 22526

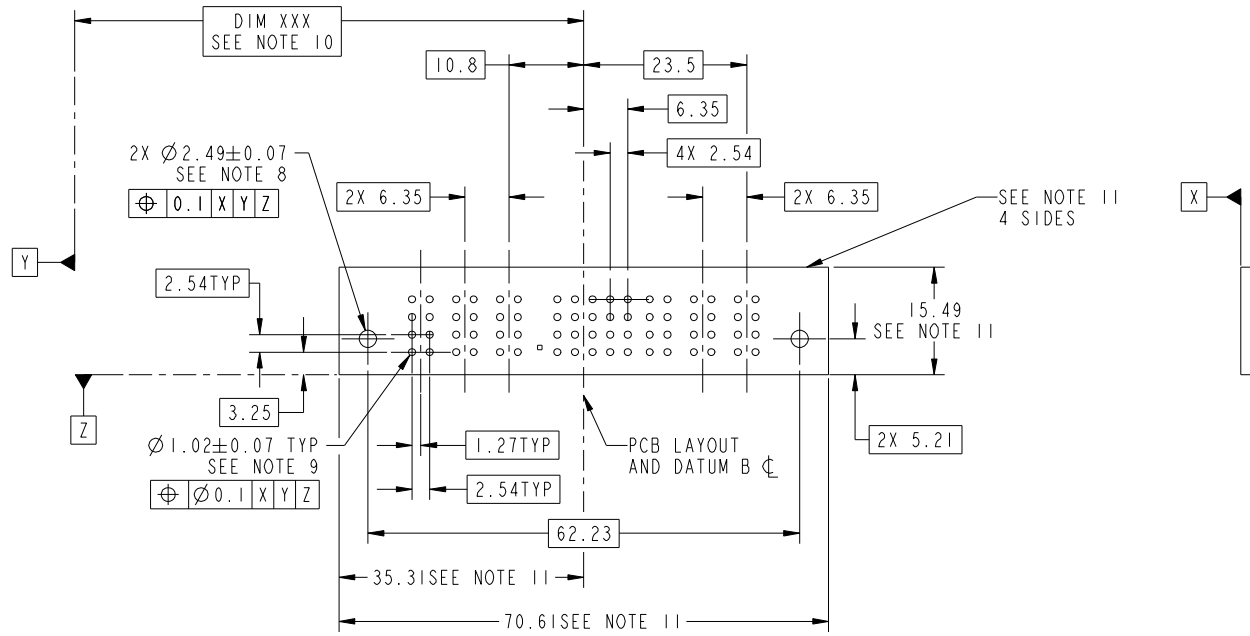
Pro/E

Tous droits strictement reserves. Reproduction ou communication a des tiers interdite sous quelque forme que ce soit sans autorisation ecrite du proprietaire. Propriete de c FCI. Droits de reproduction FCI.

All rights strictly reserved. Reproduction or issue to third parties in any form whatever is not permitted without written authority from the proprietor. Property of FCI. Copyright FCI.



PRODUCT NUMBER  
51750-095\_  
NOTE: 3



RECOMMENDED PCB LAYOUT

mat'l code				tolerances unless otherwise specified		CUSTOMER			
ltr	ecn no.	dr	date	linear	0.X ± 0.5	COPY		www.fciconnect.com	
A				linear	0.XX ± 0.25	projection		title	
				angles	0.XXX ± 0.1			3P + 24S + 3P VERTICAL SOLDER RECEPT	
				dr	0° ± 2°	MIM		product family PwrBlade code	
				enrg	WL ZHANG 2/05/10	scale		size	
				chr	WL ZHANG 2/05/10	1:1		dwg no	
				appd	PM ZHENG 2/05/10			51750-095	
					JOSEPH HSIA 2/05/10			sheet	
sheet index		revision sheet						3 of 4	

cage code 22526

Pro/E

Tous droits strictement reserves. Reproduction ou communication a des tiers interdite sous quelque forme que ce soit sans autorisation écrite du propriétaire. Propriete de c FCI. Droits de reproduction FCI.

All rights strictly reserved. Reproduction or issue to third parties in any form whatever is not permitted without written authority from the proprietor. Property of FCI. Copyright FCI.



PRODUCT NUMBER  
51750-095\_  
NOTE: 3

NOTES:

1. DIMENSIONS AND TOLERANCES ARE IN ACCORDANCE WITH ASME Y14.5M, 1994 UNLESS OTHERWISE SPECIFIED.

CONNECTOR NOTES:

- 2 HOUSING MATERIAL: UL 94 V-0 GLASS FILLED HIGH-TEMP THERMOPLASTIC  
POWER CONTACT MATERIAL: COPPER ALLOY  
SIGNAL PIN MATERIAL: COPPER ALLOY
  - 3. PLATING SPEC.  
SEE ITEM 5 & 6 IN PRINT 10064183 FOR PLATING SPEC. OF 51750-095, 51750-095LF RESPECTIVELY.
  - 4 MANUFACTURER'S NAME, DATE CODE AND OPTIONAL P/N TO APPEAR ON THIS SURFACE. THE P/N CAN BE OMITTED IF THERE IS NOT ENOUGH SPACE ON THIS SURFACE.
  - 5. PRODUCT SPECIFICATION GS-12-149.  
APPLICATION SPECIFICATION BUS-20-067.
  - 6. PACKAGED IN TRAYS.
- PCB NOTES:
- 7. ALL HOLE DIAMETERS ARE FINISHED HOLE SIZE.
  - 8 MOUNTING HOLES, WHERE APPLICABLE, ARE UNPLATED.
  - 9  $\varnothing 1.151 \pm 0.025$  DRILLED HOLES PLATED WITH 0.008 MIN SnPb OR Sn OVER 0.03 TO 0.08 Cu PLATING TO ACHIEVE  $\varnothing 1.02 \pm 0.07$  HOLE.
  - 10 "DIM XXX" TO BE DETERMINED BY THE CUSTOMER.
  - 11 CONNECTOR KEEP-OUT ZONE.
  - 12. THE VOID CORING IN BETWEEN POWER MODULES, SIGNAL MODULES AND END MODULES ARE OPTIONAL AND THE SHAPE MAY BE DIFFERENT FOR OPTIMIZE THE MOLDING PROCESS. THE VOID CORING WILL NOT EFFECT TO PRODUCT FUNCTION.

mat'l code				tolerances unless otherwise specified		CUSTOMER		FCI		www.fciconnect.com	
ltr	ecr no.	dr	date	linear	0.X ± 0.5		COPY		projection	title	
A					0.XX ± 0.25		MIM			3P + 24S + 3P	
					0.XXX ± 0.1		← MIM →			VERTICAL SOLDER RECEPT	
				angles	0° ± 2°		scale		product family		code
				dr	WL ZHANG	2/05/10	1:1		PwrBlade		213
				enr	WL ZHANG	2/05/10	A		size		sheet
				chr	PM ZHENG	2/05/10			dwg no		4 of 4
				appd	JOSEPH HSIA	2/05/10			51750-095		
sheet index	revision sheet										

cage code 22526

Pro/E