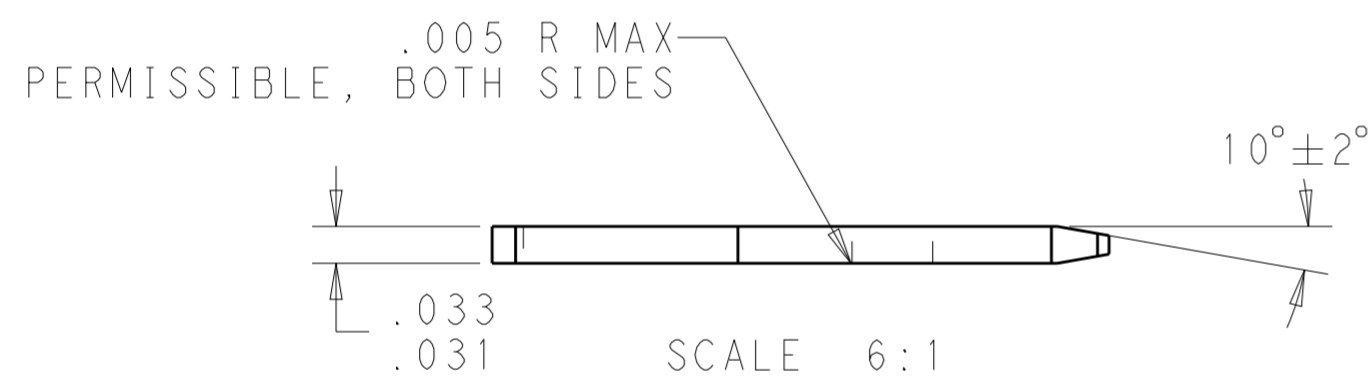
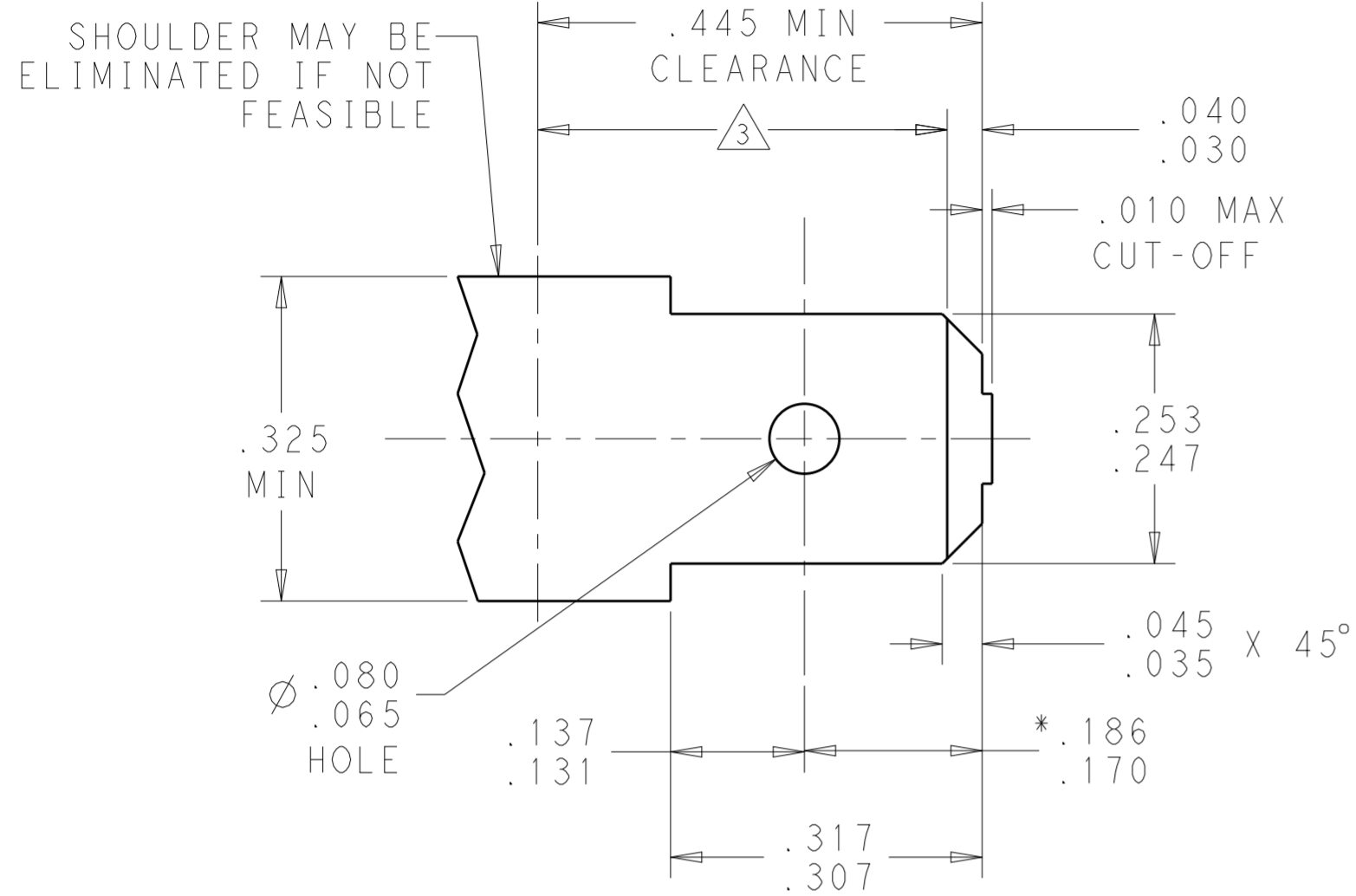
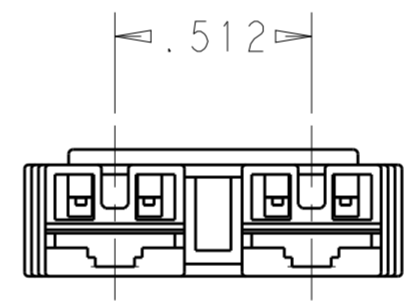
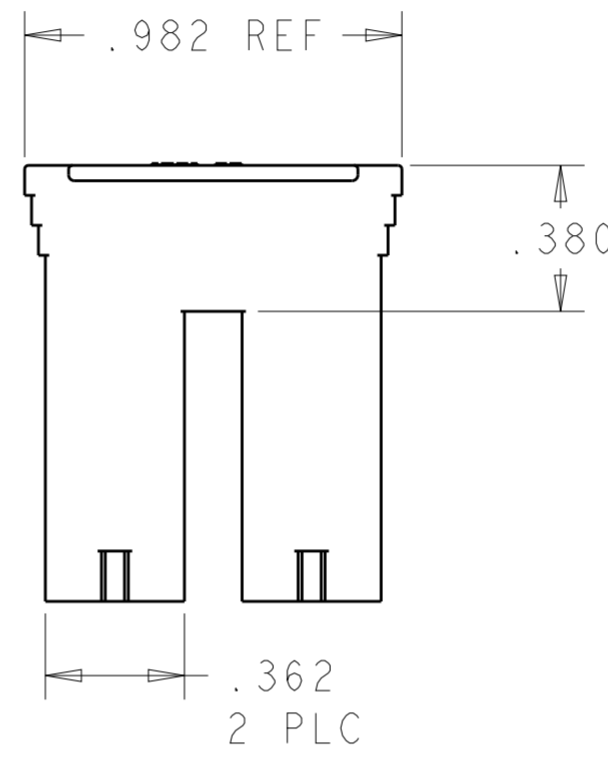
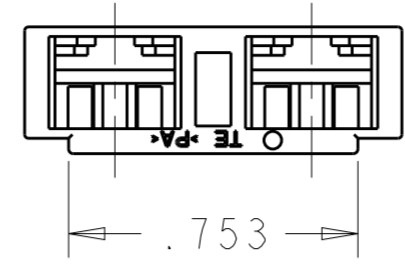


LOC		DIST		REVISIONS			
P	LTR	DESCRIPTION	DATE	DWN	APVD		
-	-	A4	RELEASED PER ECR-15-010648	17JUL2015	HG	TD	

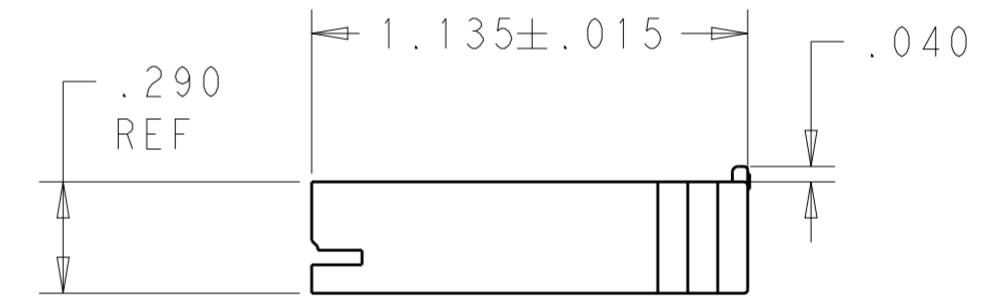
# SUGGESTED MATING TAB



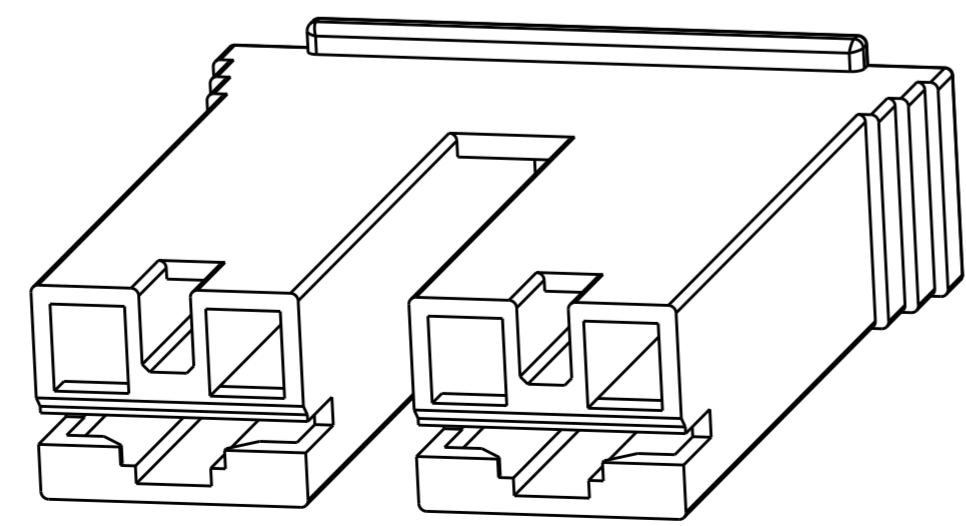
- 1 MATL: 1/2H BRASS OR NICKEL PL STEEL
- 2 NO BURRS PERMISSBLE AT HOLE
- △ MUST BE FLAT WITHIN .003 OVER THIS LENGTH
- 4 TIN PLATING IS REQUIRED ON BRASS WHEN TERMINAL TEMP IS OVER 225° F.
- 5 HOLE MUST BE SYMMETRICAL ABOUT TAB CENTERLINE WITHIN .003
- \* TO BE USED ONLY WHEN SHOULDER IS ELIMINATED.



1 FOR USE WITH MKII POSITIVE LOCK, LOW INSERTION FORCE FASTON RECEPTACLES AND MOST BUDGET FASTON RECEPTACLES.



BLACK	66 NYLON	1969453-8
YELLOW	66 NYLON	1969453-6
BLUE	66 NYLON	1969453-5
RED	66 NYLON	1-1969453-2
NATURAL	66 NYLON V0	1-1969453-1
NATURAL (WHITE)	66/6 NYLON V0	1969453-1
COLOR	MATERIAL	PART NO.



THIS DRAWING IS A CONTROLLED DOCUMENT.

DIMENSIONS: INCHES	TOLERANCES UNLESS OTHERWISE SPECIFIED:	DWN: JR RUTH 04AUG11	TE Connectivity
	0 PLC ±-	CHK: KURT RANDOLPH 04AUG11	
	1 PLC ±.1	APVD: KURT RANDOLPH 04AUG11	
	2 PLC ±.02	NAME: HOUSING, RECPT, POSITIVE-LOCK AND STANDARD FASTON, .250 SERIES MKII	
MATERIAL	FINISH	3 PLC ±.010	SIZE: A200779
SEE TABLE		4 PLC ±.0005	CAGE CODE: C-1969453
		ANGLES ±-	DRAWING NO: 1969453
		FINISH	RESTRICTED TO: -
			SCALE: 4:1
			SHEET: 1 OF 1
			REV: A4