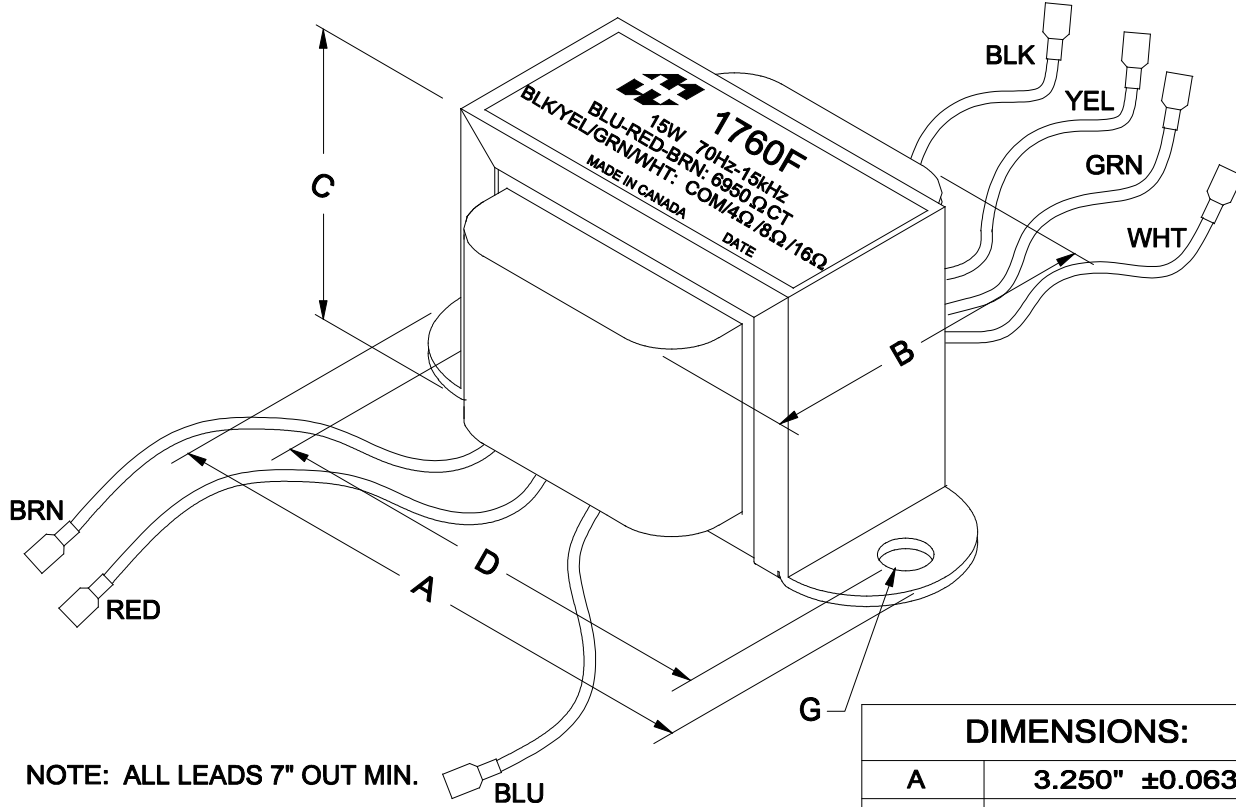


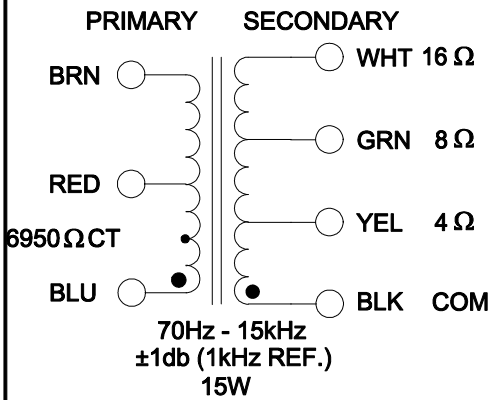
1760F



NOTE: ALL LEADS 7" OUT MIN.

DIMENSIONS:

A	3.250" ±0.063
B	1.687" ±0.125
C	1.995" ±0.063
D	2.813" ±0.063
G	0.187" ±0.015



ELECTRICAL DATA:

Turns ratio:	29.19 : 1
Inductance	@240V,70Hz =>27.28H (Open circuit)
DCR	@ 20C, BLU - BRN = 120 Ω ±20%
	@ 20C, BLK - YEL = 0.171 Ω ±20%
	@ 20C, BLK - GRN = 0.245 Ω ±20%
	@ 20C, BLK - WHT= 0.476 Ω ±20%
FREQ. RESP	@ 15W(322.75V), 70Hz-15kHz, BLU-BRN ±1db (Ref.1kHz)
Pri. Impedance	6950 Ω CT(322.75V)
Sec. Impedance	4/8/16 Ω (7.746/10.95/15.49V)
Power	15 WATTS



**HAMMOND
ELECTRONICS**

52 RANKIN PLACE,
WATERLOO, ONTARIO, N2L 3Z5.

PHONE (519) 886-6181
FAX # (519) 886-9540

TITLE
1760F

			DR BY B.Pervaiz
			DATE 08/25/09
NO	DATE	REVISION	DIM IN(X)MM()

1760F