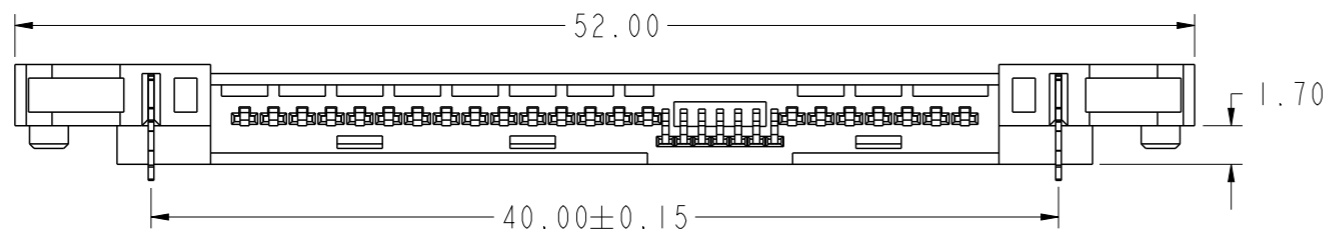
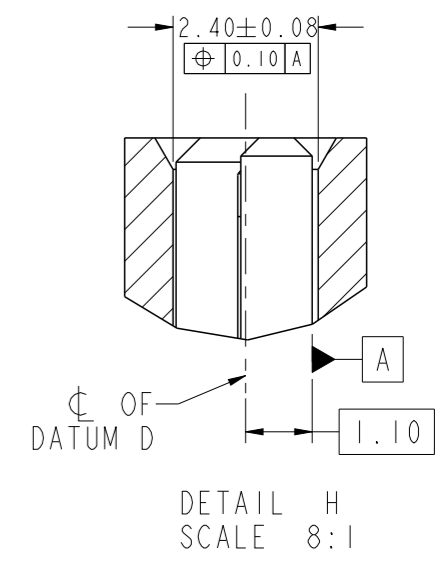
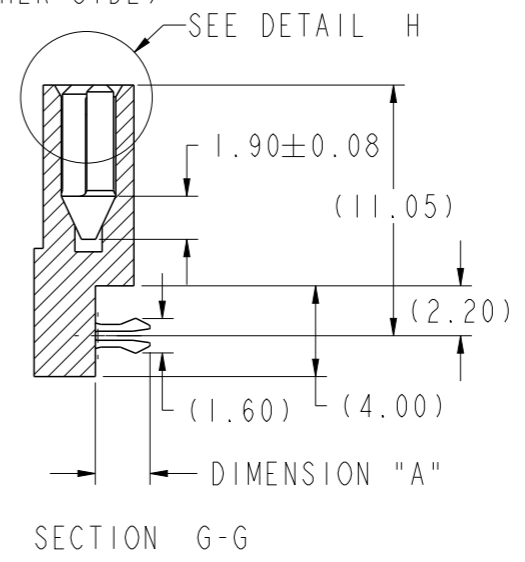
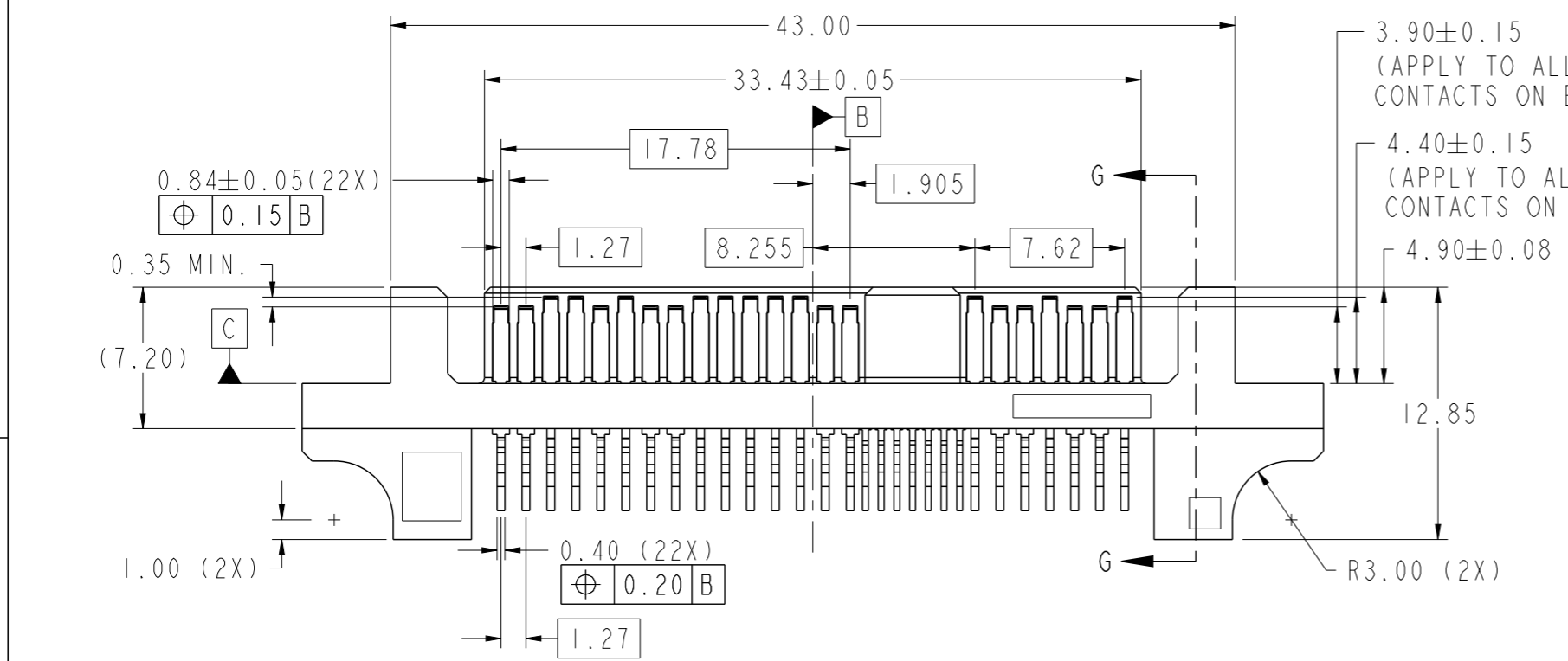
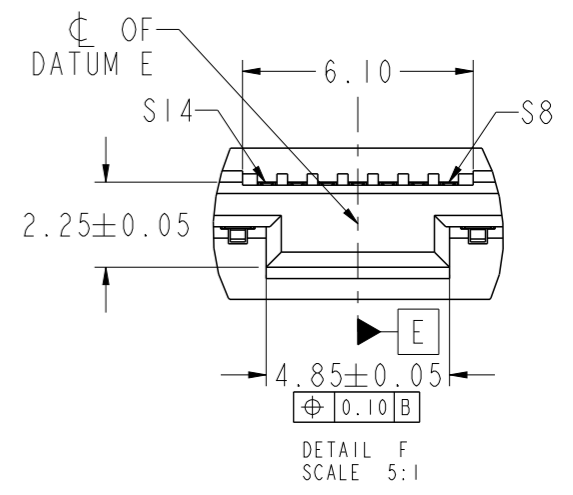
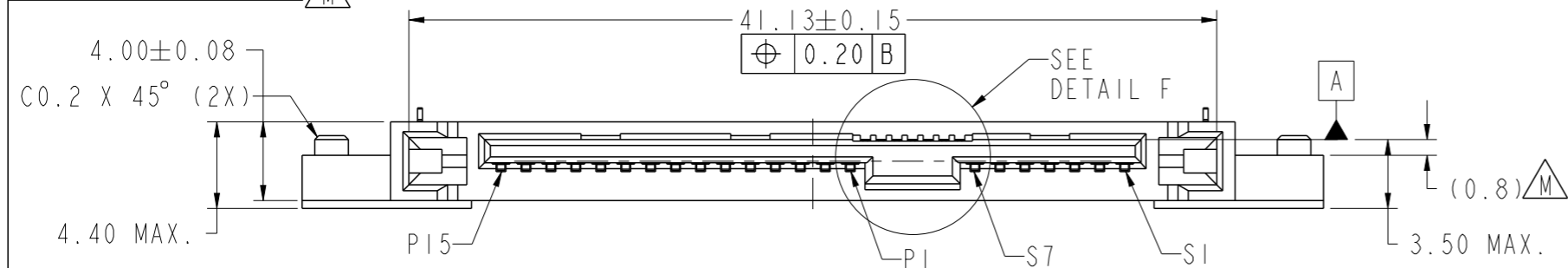


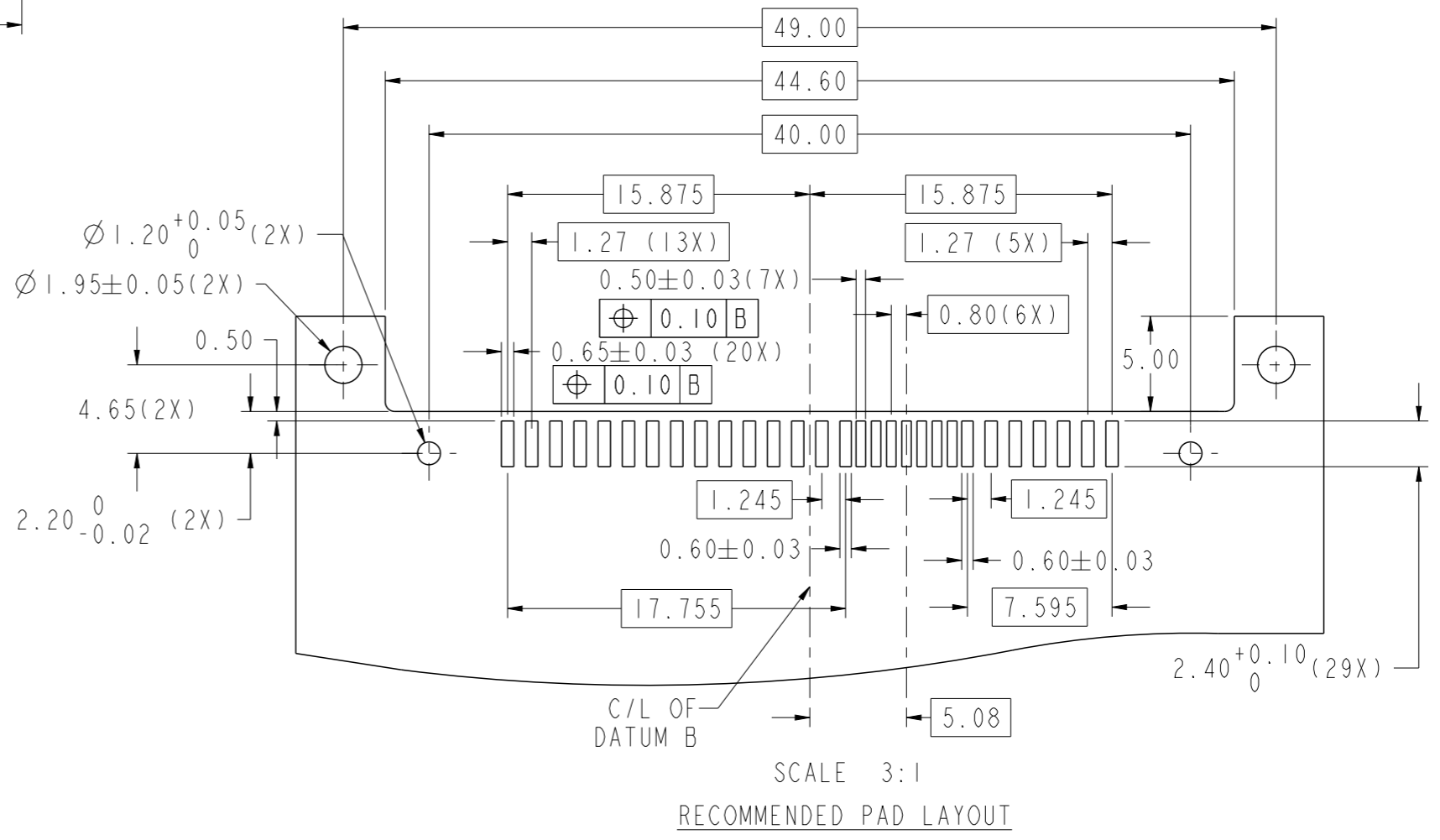
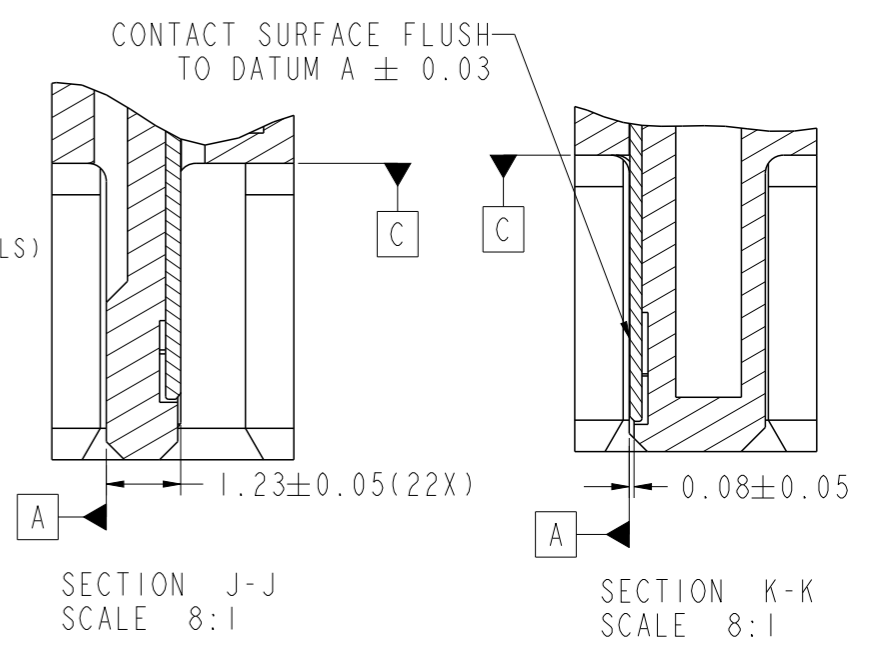
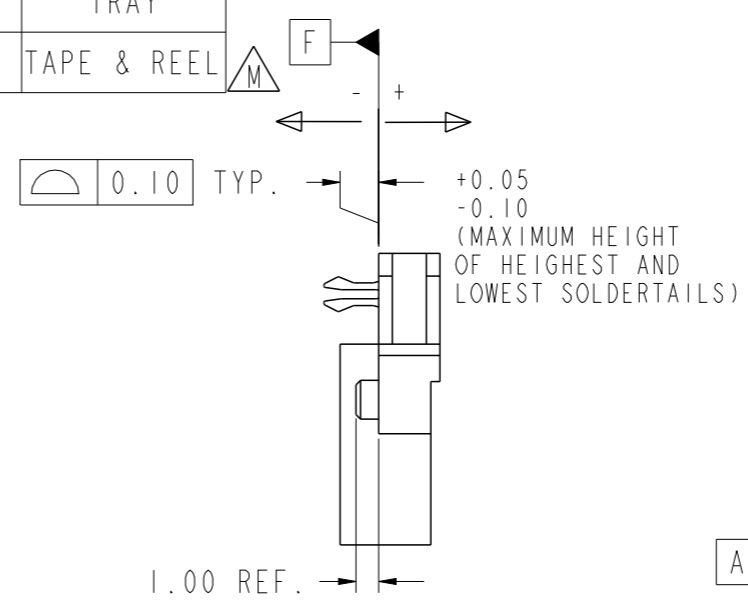
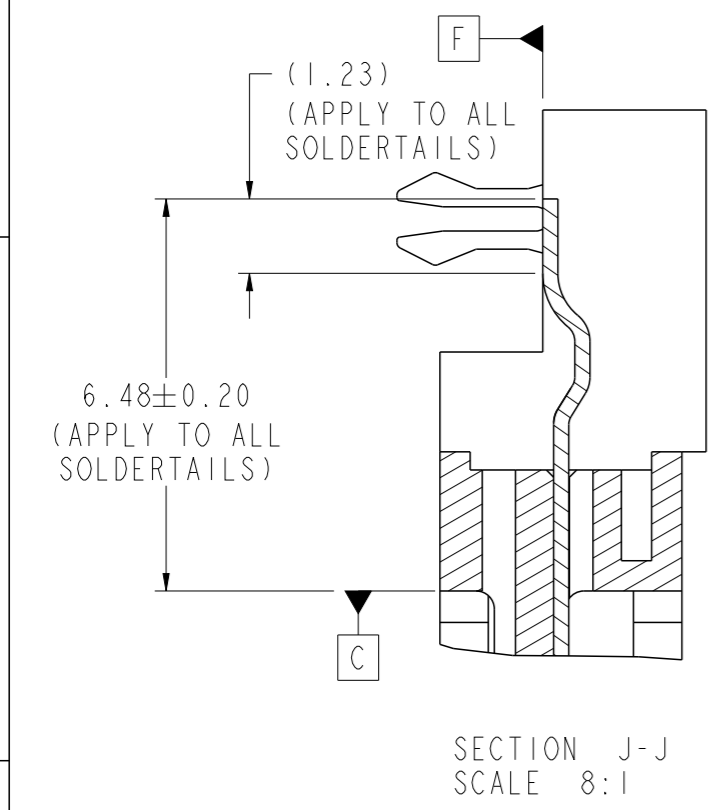
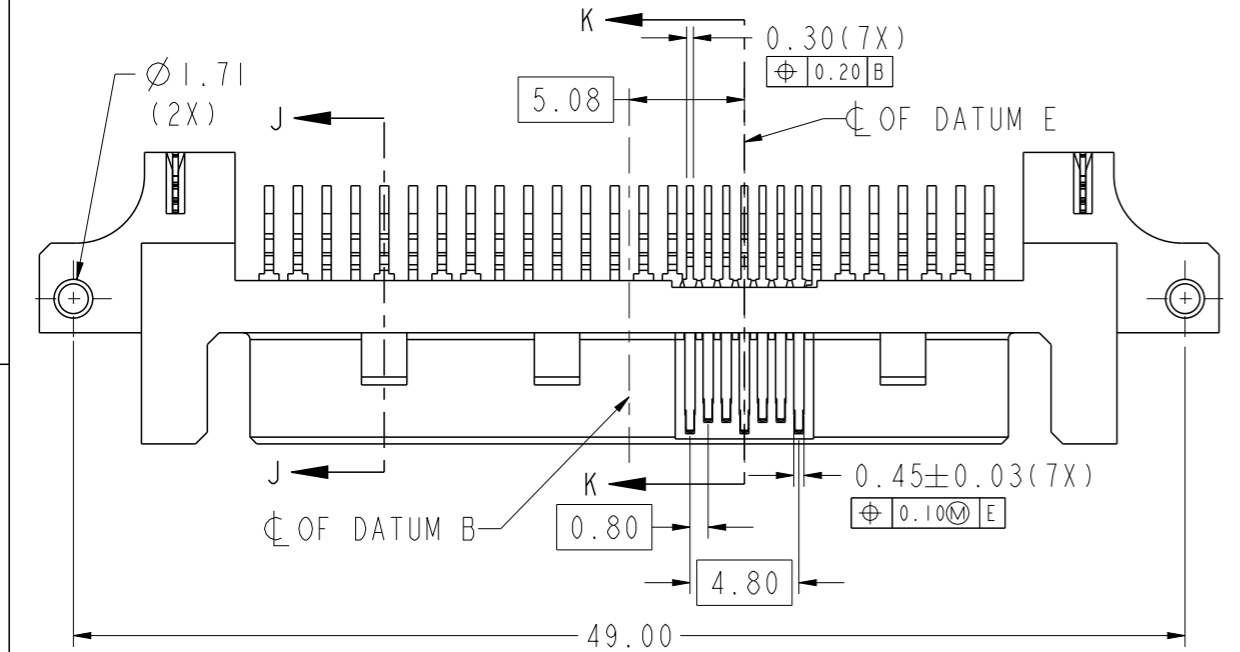
PRODUCT NO.
 10034524-001LF
 10034524-002LF
 10034524-003C-TRLF
 10034524-004C-TRLF



Copyright FCI.

spec ref	dr	wcadmin	2010/07/15	projection	MM	size	A3	scale	3:1
tolerance std	eng	Jeffrey Lim	2012/02/21			ecn no	ELX-S-010326-1	rel level	Released
ASME Y14.5	chr	-	-						
TOLERANCES UNLESS OTHERWISE SPECIFIED	appr	Joey Ng	2012/02/21	product family		SAS PLUG R/A		dwg no	10034524
surface	linear	0.X	±-	TYPE ASSY		www.fci.com		cat. no.	Product - Customer Drw
ASME Y14.5	angular	0.XX	±0.20	www.fci.com		cat. no.		Product - Customer Drw	sheet 1 of 3
		0.XXX	±-	www.fci.com		cat. no.		Product - Customer Drw	sheet 1 of 3
		0°	±2°	www.fci.com		cat. no.		Product - Customer Drw	sheet 1 of 3

PRODUCT NO.	PCB THICKNESS	DIMENSION "A" WITH ADHESIVE TAPE WITH COVER	PACKAGING
10034524-001LF	1.60	2.40±0.15	NO
10034524-002LF	1.20	2.00±0.15	NO
10034524-003C-TRLF	1.60	2.40±0.15	YES
10034524-004C-TRLF	1.20	2.00±0.15	YES



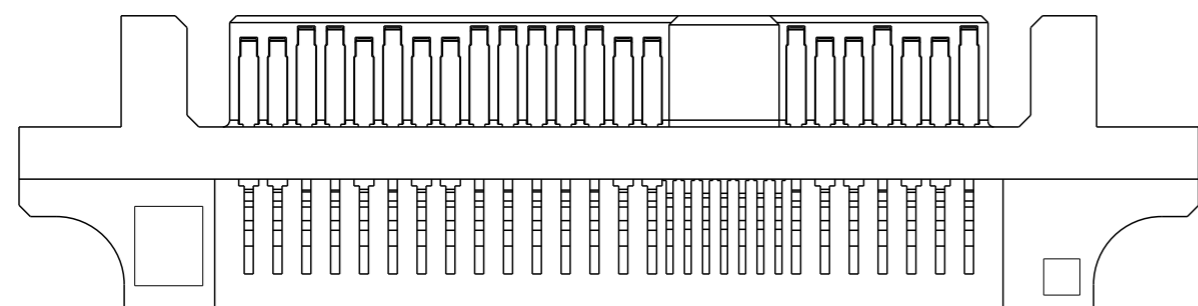
Copyright FCI.

spec ref	dr	wcadmin	2010/07/15	projection	MM	size	A3	scale	3:1		
tolerance std	eng	Jeffrey Lim	2012/02/21			ecn no	ELX-S-010326-1	rel level	Released		
ASME Y14.5	chr	-	2012/02/21								
TOLERANCES UNLESS OTHERWISE SPECIFIED	appr	Joey Ng	2012/02/21	product family		rel level					
surface	linear	0.X	±-			SAS PLUG R/A TYPE ASSY		dwg no 10034524		rev M	
ASME Y14.5	angular	0.XX	±0.20								

PRODUCT NO.
 10034524-003C-TRLF
 10034524-004C-TRLF

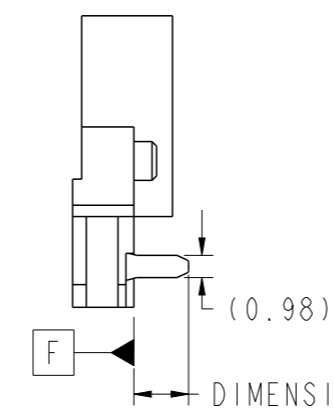
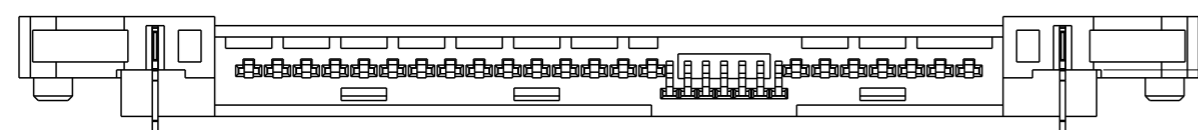


A

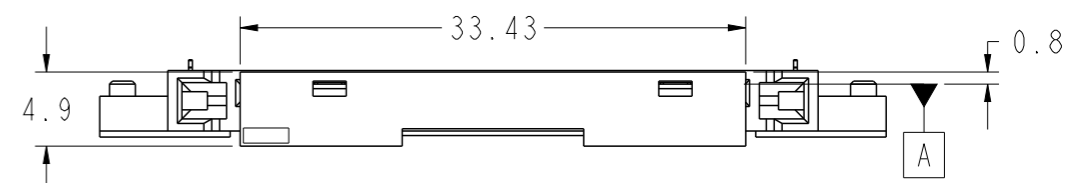


SCALE 3:1

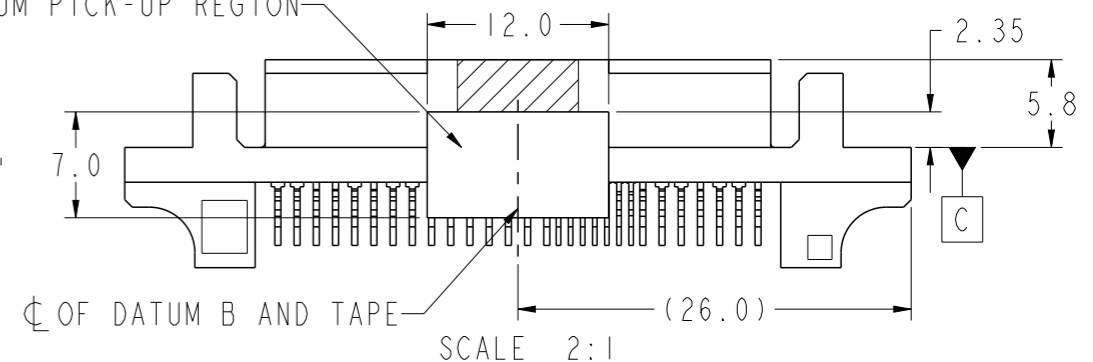
B



DIMENSION "A"



VACUUM PICK-UP REGION

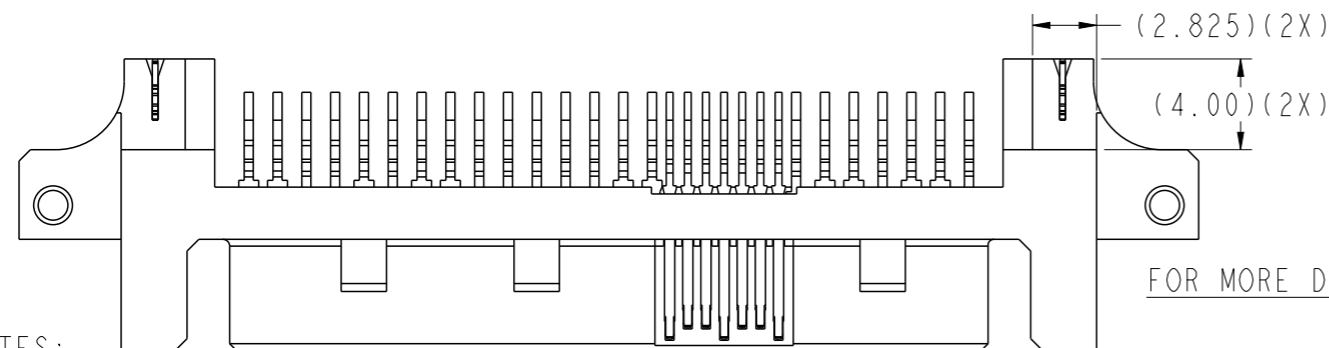


SCALE 2:1

WITH ADHESIVE TAPE AND COVER ATTACHED
 (FOR 10034524-003C/-004C-TRLF)



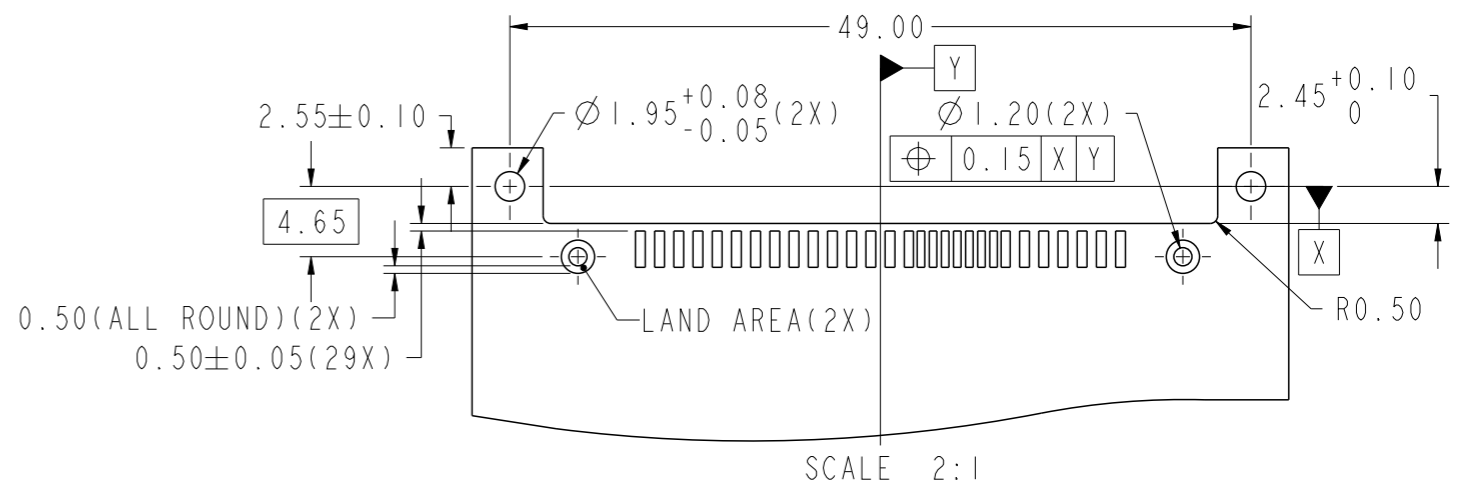
C



FOR MORE DIMENSIONS, REFER TO 10034524-001/2

NOTES:

- MATERIAL:
 HOUSING & COVER: HIGH TEMPERATURE PLASTIC, BLACK, UL94V-0
 CONTACT & HOLD DOWN: COPPER ALLOY
- FINISH:
 CONTACT: 1.27um Min. NICKEL UNDERPLATE OVERALL,
 1.91um Min. 100% MATTE TIN(LEAD-FREE) ON SOLDER TAIL,
 0.76um Min. GOLD ON CONTACT AREA
 HOLD DOWN: 1.91um Min. 100% MATTE TIN(LEAD-FREE) OVER
 1.27um Min. NICKEL UNDERPLATE OVERALL
- RECOMMENDED PCB THICKNESS: 1.20 & 1.60mm
- PRODUCT SPECIFICATION: GS-12-282
- PACKAGING SPECIFICATION: GS-14-952(TRAY); GS-14-1038(TAPE & REEL)
- THIS PRODUCT MEETS EUROPEAN UNION DIRECTIVES AND OTHER
 COUNTRY REGULATIONS AS DESCRIBED IN GS-22-008
- THE HOUSING WILL WITHSTAND EXPOSURE TO 260°C PEAK
 TEMPERATURE FOR 10 SECONDS IN A CONVECTION, INFRA-RED
 OR VAPOR PHASE REFLOW OVEN
- A SYMBOL WILL BE NEXT TO ANY DIMENSION, VIEW OR NOTE WHICH
 HAS BEEN MODIFIED WITH THE CURRENT DRAWING REVISION



SCALE 2:1

RECOMMENDED PAD LAYOUT FOR 10034524-003/-004(GENERAL TOLERANCE: ±0.08)
 (FOR MORE DIMENSIONS, REFER TO PAD LAYOUT FOR 10034524-001/-002)

D

spec ref	dr	wcadmin	2010/07/15	projection	MM	size	A3	scale	3:1				
tolerance std	eng	Jeffrey Lim	2012/02/21		← →	ecn no	ELX-S-010326-1	rel level	Released				
ASME Y14.5	chr	-	-										
	appr	Joey Ng	2012/02/21	product family									
surface	linear	0.X	±-			SAS PLUG R/A		dwg no		10034524		rev	
		0.XX	±0.20										
		0.XXX	±-	www.fci.com		cat. no.		Product - Customer Drw		sheet 3 of 3		M	
ASME Y14.5	angular	0°	±2°										



Copyright FCI.