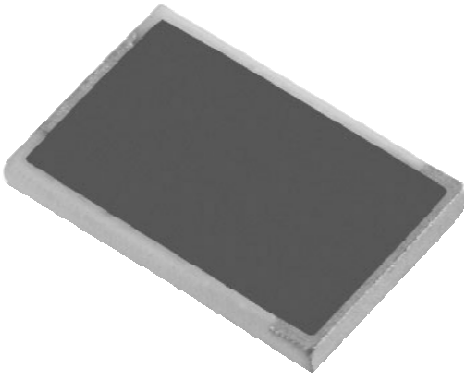


Surface Mount Termination 25 Watts, 50Ω



General Specifications

Resistive Element	Thick film
Substrate	Beryllium oxide ceramic
Terminals	Thick film silver

Electrical Specifications

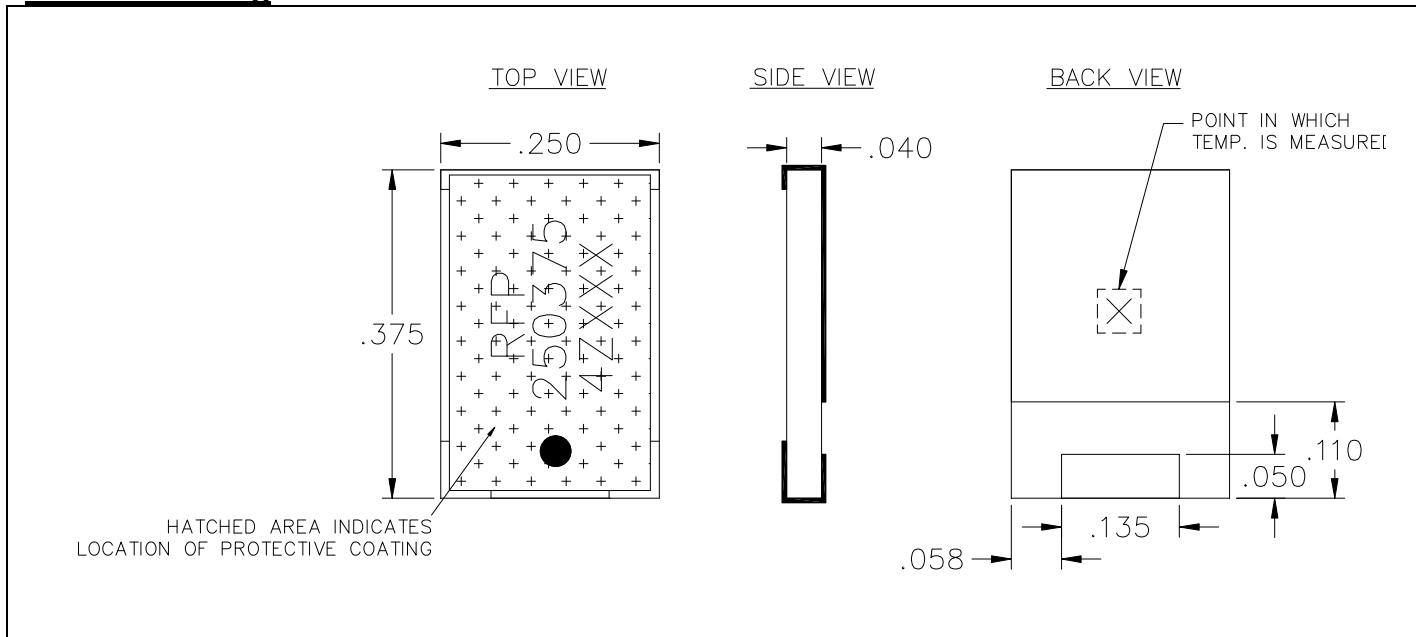
Resistance Range:	50 ohms, $\pm 2\%$
Frequency Range;	DC – 2.0 GHz
Power:	25 Watts
VSWR	1.25:1 DC – 2.0 GHz

Note: Tolerance is $\pm 0.010"$, unless otherwise specified. Designed to meet or exceed applicable portions of MIL-E-5400. Operating temperature is -55°C to 125°C (see chart for derating temperatures). All dimensions in inches. Specifications subject to change with out notice.

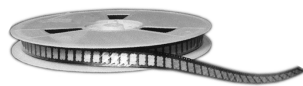
Features:

- DC – 2.0 GHz
- 25 Watts
- BeO Ceramic
- Non-Nichrome Resistive Element
- Low VSWR
- 100% Tested

Outline Drawing

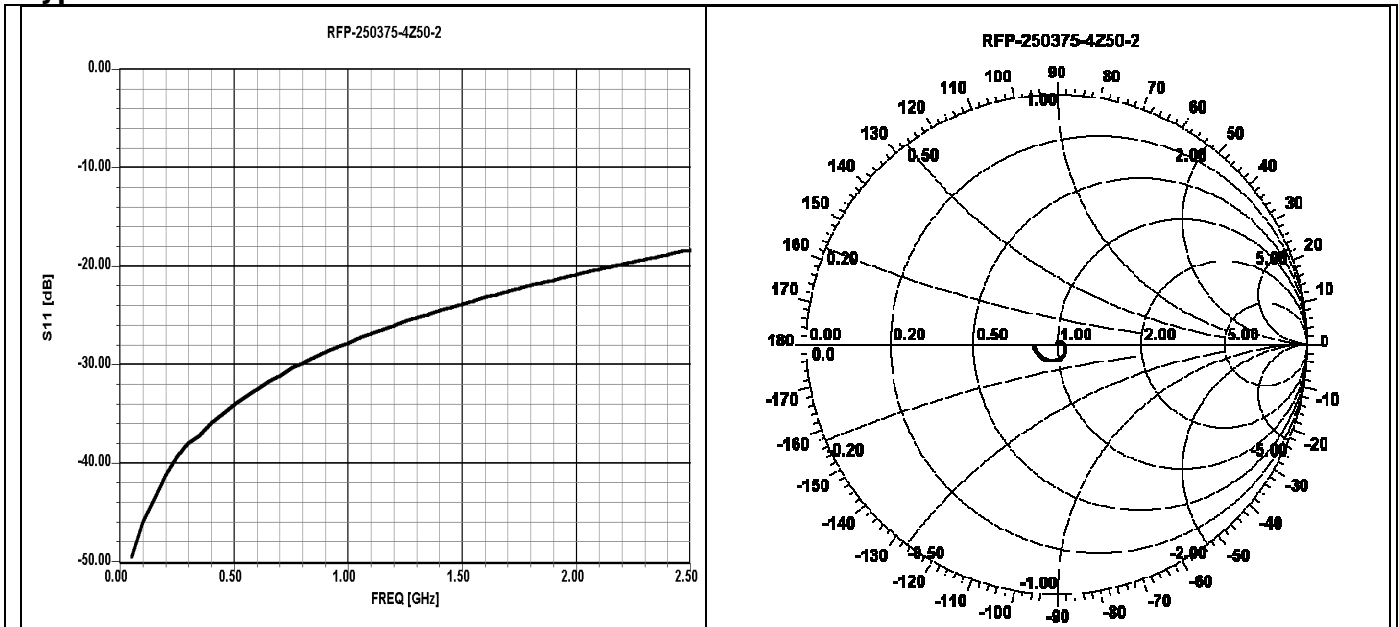


250375-4Z50-2 (097) Rev A

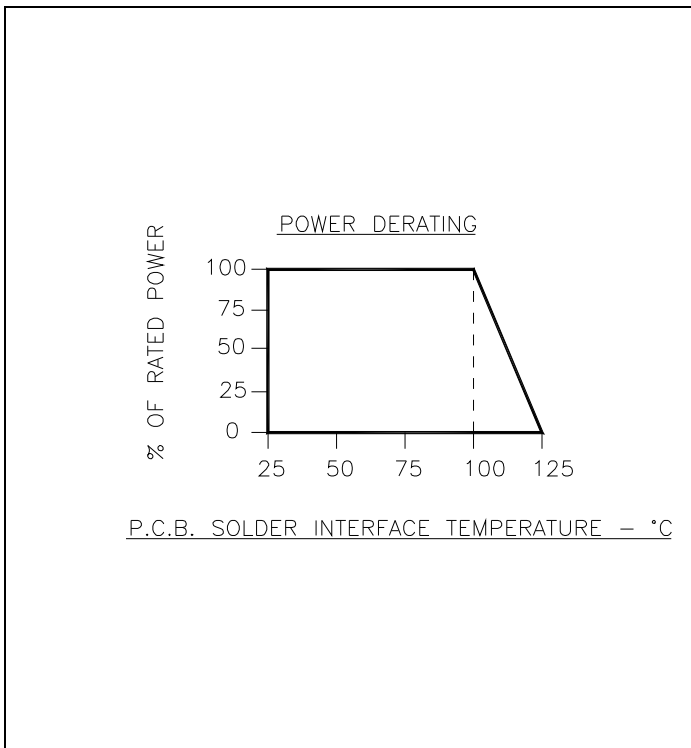




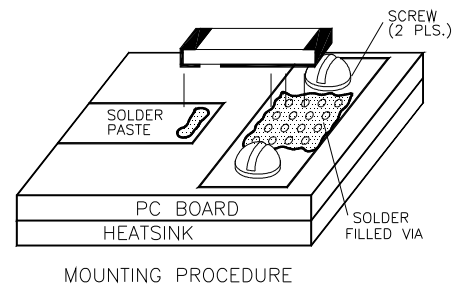
Typical Performance:



Power De-rating:



Mounting Footprint and Procedure:



1. Solder part in place using 60/40 type solder with Temperature controlled iron (700°F).
2. Drill thermal vias through PCB and fill with solder, such as 60/40 type.
3. To ensure good thermal connectivity to heat sink, drill and tap heatsink and mount PCB board to heat sink using screws.

250375-4Z50-2 (097) Rev A

USA/Canada: (315) 432-8909
 Toll Free: (800) 544-2414
 Europe: +44 2392-232392

Available on Tape and Reel For Pick and Place Manufacturing.



Anaren
 What'll we think of next?™