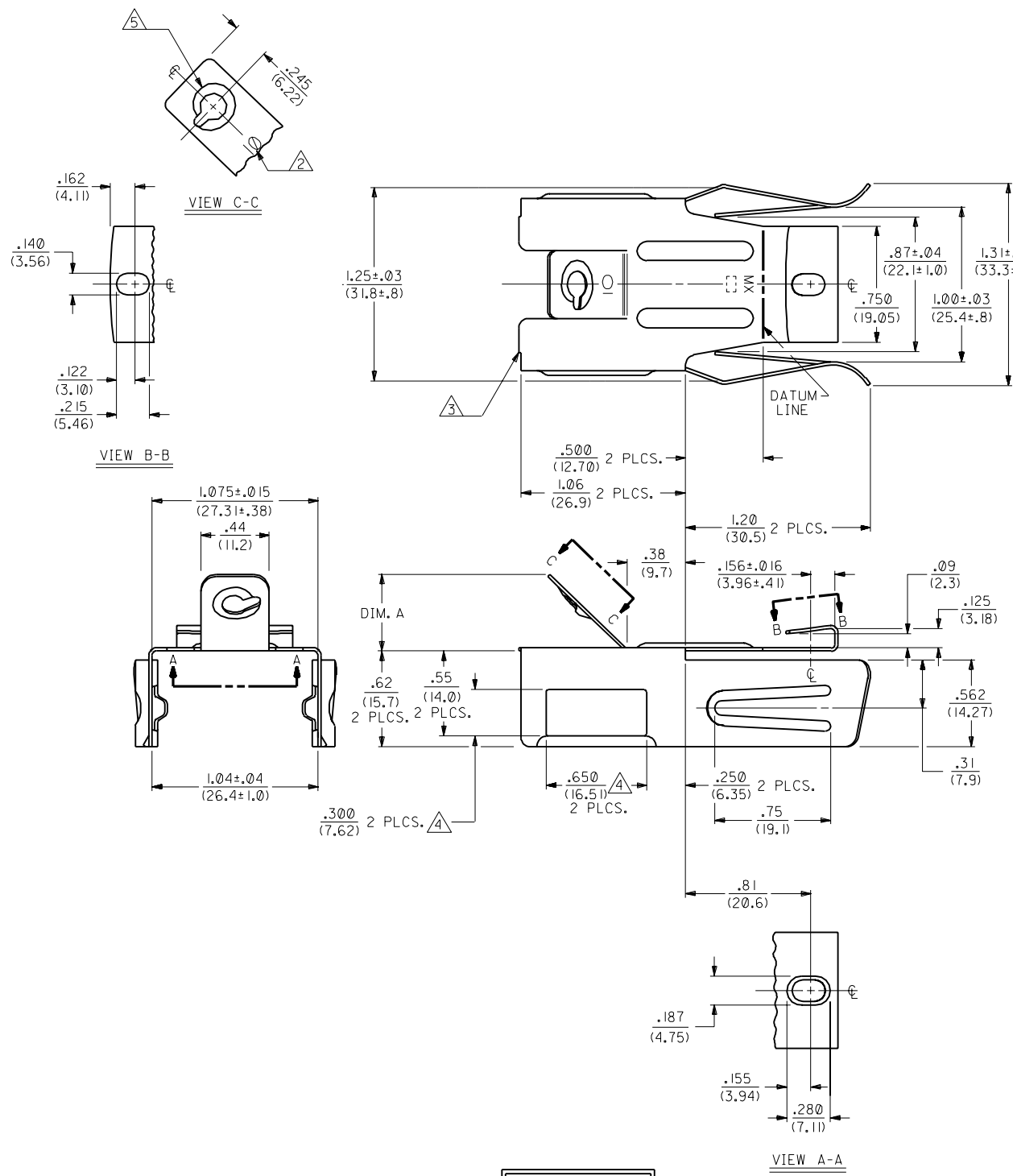


NOTES:

- 1. THESE MOUNTING CLIPS ARE FOR HOLDING THE 2481 SERIES HOUSINGS TO THE MAIN PANEL TOPS OF ELECTRIC RANGES.
- △1 SCREW SIZE INDICATION.
- △3 .015/(.38) MAXIMUM CUT OFF.
- △4 .010/(.25) MAXIMUM MISMATCH.
- △5 THREAD FORM FOR A #10-32 SCREW.
- △6 THIS SURFACE MAY BE FORMED IN THIS DIRECTION A MAXIMUM OF 5°.



2589-ID-10

MATERIAL:

STEEL, STAINLESS, TYPE 301, .020/(.51) THICK.

AC	OBSOLETED P/N	UCR2002-0255	01/9/12	COMERCI
AB2	REMOVED NOTCH	UCR2000-0104	8/11/99	COMERCI
AB1	REV. RADII	UCR2000-0086	8/05/99	COMERCI
AB	REVISED	UCR 1999-0818	6/03/99	ELHAG
AA	REVISED	ECN U4 0744	6/16/94	RHR
Z	REVISED	ECN U4 0213	2/14/94	RHR
Y	REVISED	ECN U3 0739	5/13/93	RHR
X	REDRAWN & REDIM.	ECN U2 1712	11/25/92	RHR

3	AB
2	Z
1	AC

DIMENSIONS SHOWN (METRIC) INCH
UNLESS OTHERWISE SPECIFIED TOLERANCES ANGULAR ± DMS 5°

3 PLACE ± .010	---
2 PLACE ± .014	± 0.25
1 PLACE ---	± 0.35

DRAFT WHERE APPLICABLE MUST REMAIN WITHIN DIMENSIONS

DRWG. BY: RHR CHK'D. BY: ESS
APP'D. BY: RAS SCALE: 2: 1

FILE NAME: SD2589X1.DWG
MOLX INC. AND SHOULD NOT BE USED WITHOUT WRITTEN PERMISSION

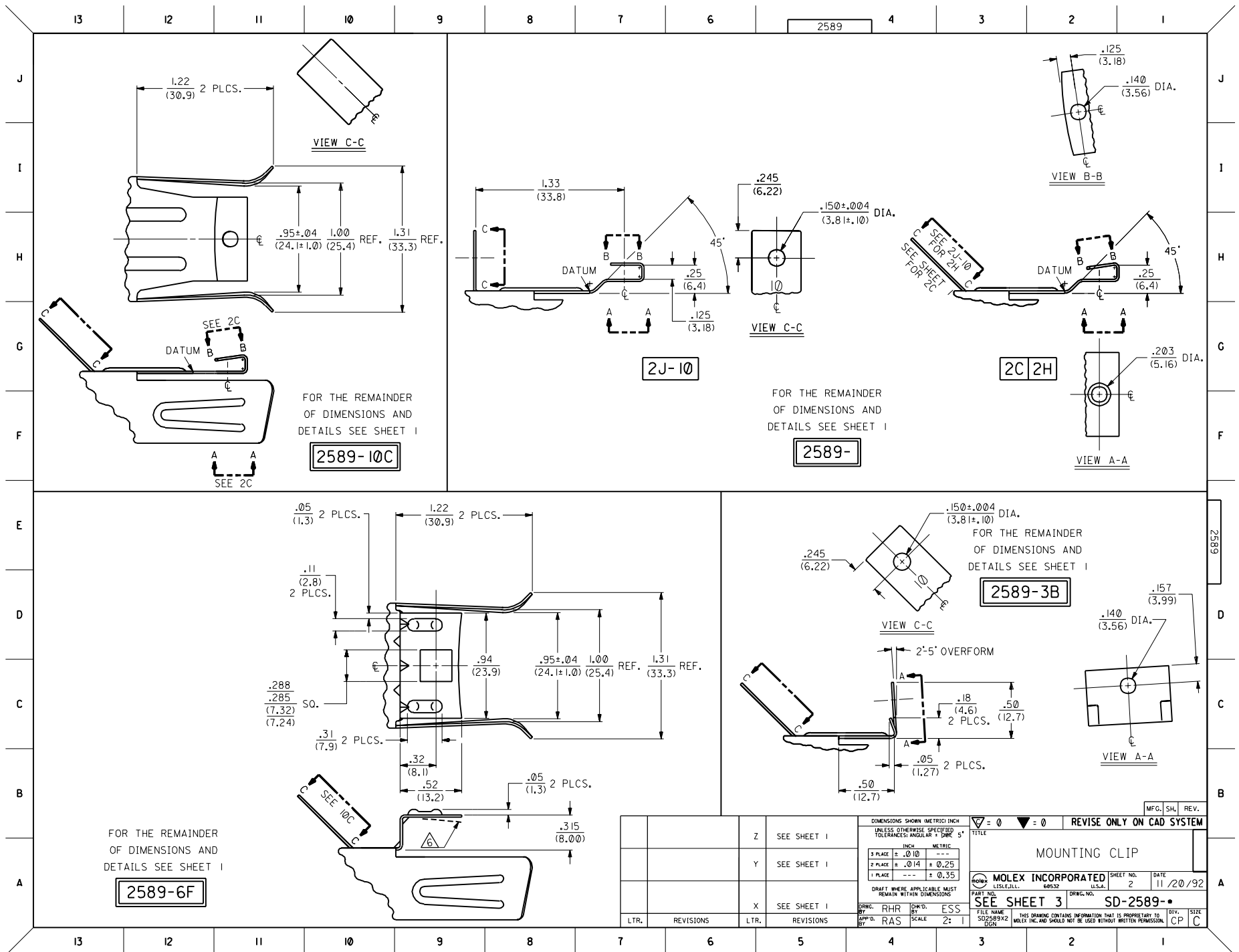
PART NO. SD-2589-1
DRWG. NO. 1 of 3
DATE: 11/20/92

TITLE: MOUNTING CLIP

MOLEX INCORPORATED
1151E.ILL. 60532 U.S.A.

REVISIONS: 3 AB, 2 Z, 1 AC

NO P.S.



FOR THE REMAINDER
OF DIMENSIONS AND
DETAILS SEE SHEET I

2589-10C

2J-10

FOR THE REMAINDER
OF DIMENSIONS AND
DETAILS SEE SHEET I

2589-

2C 2H

FOR THE REMAINDER
OF DIMENSIONS AND
DETAILS SEE SHEET I

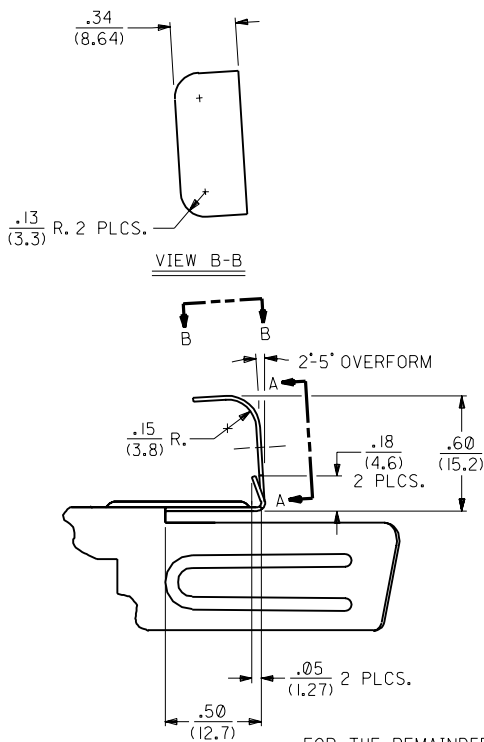
2589-3B

FOR THE REMAINDER
OF DIMENSIONS AND
DETAILS SEE SHEET I

2589-6F

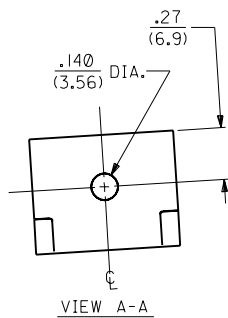
DIMENSIONS SHOWN (METRIC) INCH UNLESS OTHERWISE SPECIFIED TOLERANCES: ANGULAR ± .005°		MFG. SH. REV.	
INCH METRIC		TITLE	
3 PLACE ± .010	---	MOUNTING CLIP	
2 PLACE ± .014	± 0.25	MOLEX INCORPORATED SHEET NO. 2 DATE 11/20/92	
1 PLACE ---	± 0.35	LITTLE, JILL. U.S.A. 69532	
DRAFT WHERE APPLICABLE MUST REMAIN WITHIN DIMENSIONS		PART NO. SD-2589-02	
DRWG. BY: RHR	CHK'D. BY: ESS	SEE SHEET 3	
APP'D. BY: RAS	SCALE: 2:1	DRWG. NO. SD-2589-02	
LTR. REVISIONS	LTR. REVISIONS	THIS DRAWING CONTAINS INFORMATION THAT IS PROPRIETARY TO MOLEX INC. AND SHOULD NOT BE USED WITHOUT WRITTEN PERMISSION.	
		DYN. SIZE CP C	

PART NO.	ENG. NO.	DIMENSION	
		A	
089-00-2006	2589-ID-10	.48±.025 (12.2±.64)	
089-00-2022	2589-2C	.53±.025 (13.5±.64)	
089-00-2025	2589-2H	.656±.025 (16.66±.64)	
089-00-2027	2589-2J-10	.562±.025 (14.27±.64)	
089-00-2041	2589-3B	.48±.025 (12.2±.64)	
089-00-2047	2589-6F	.375±.015 (9.53±.38)	
089-00-2100	2589-10C	.48±.025 (12.2±.64)	
089-00-2101	2589-21A	.62±.025 (15.7±.64)	OBSOLETE
089-00-2103	2589-23	.62±.025 (15.7±.64)	



FOR THE REMAINDER
OF DIMENSIONS AND
DETAILS SEE SHEET I

2589-23



FOR THE REMAINDER
OF DIMENSIONS AND
DETAILS SEE SHEET I

2589-21A **OBSOLETE**

LTR.		REVISIONS		LTR.		REVISIONS	
		AA	SEE SHEET I				
		Z	SEE SHEET I				
AB	SEE SHEET I	X	SEE SHEET I				

DIMENSIONS SHOWN (METRIC) INCH UNLESS OTHERWISE SPECIFIED TOLERANCES: ANGULAR ± .5°		▽ = 0	▼ = 0	REVISE ONLY ON CAD SYSTEM												
<table border="1"> <thead> <tr> <th></th> <th>INCH</th> <th>METRIC</th> </tr> </thead> <tbody> <tr> <td>3 PLACE</td> <td>± .010</td> <td>---</td> </tr> <tr> <td>2 PLACE</td> <td>± .014</td> <td>± 0.25</td> </tr> <tr> <td>1 PLACE</td> <td>---</td> <td>± 0.35</td> </tr> </tbody> </table>			INCH	METRIC	3 PLACE	± .010	---	2 PLACE	± .014	± 0.25	1 PLACE	---	± 0.35	TITLE		
	INCH	METRIC														
3 PLACE	± .010	---														
2 PLACE	± .014	± 0.25														
1 PLACE	---	± 0.35														
DRAWING INFORMATION		MOUNTING CLIP														
DRAFT WHERE APPLICABLE MUST REMAIN WITHIN DIMENSIONS DRWG. BY: RHR CHK'D BY: ESS APP'D BY: RAS SCALE: 2: 1		MOLEX INCORPORATED SHEET NO. 3 DATE 2/24/93 U.S.A. PART NO. SD2589X3 DRWG. NO. SD-2589- SEE CHART														
THIS DRAWING CONTAINS INFORMATION THAT IS PROPRIETARY TO MOLEX INC. AND SHOULD NOT BE USED WITHOUT WRITTEN PERMISSION.		DIV. CP SIZE C														