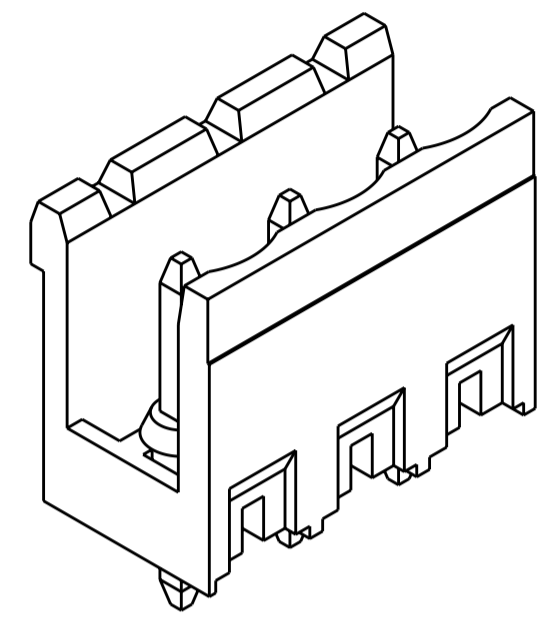
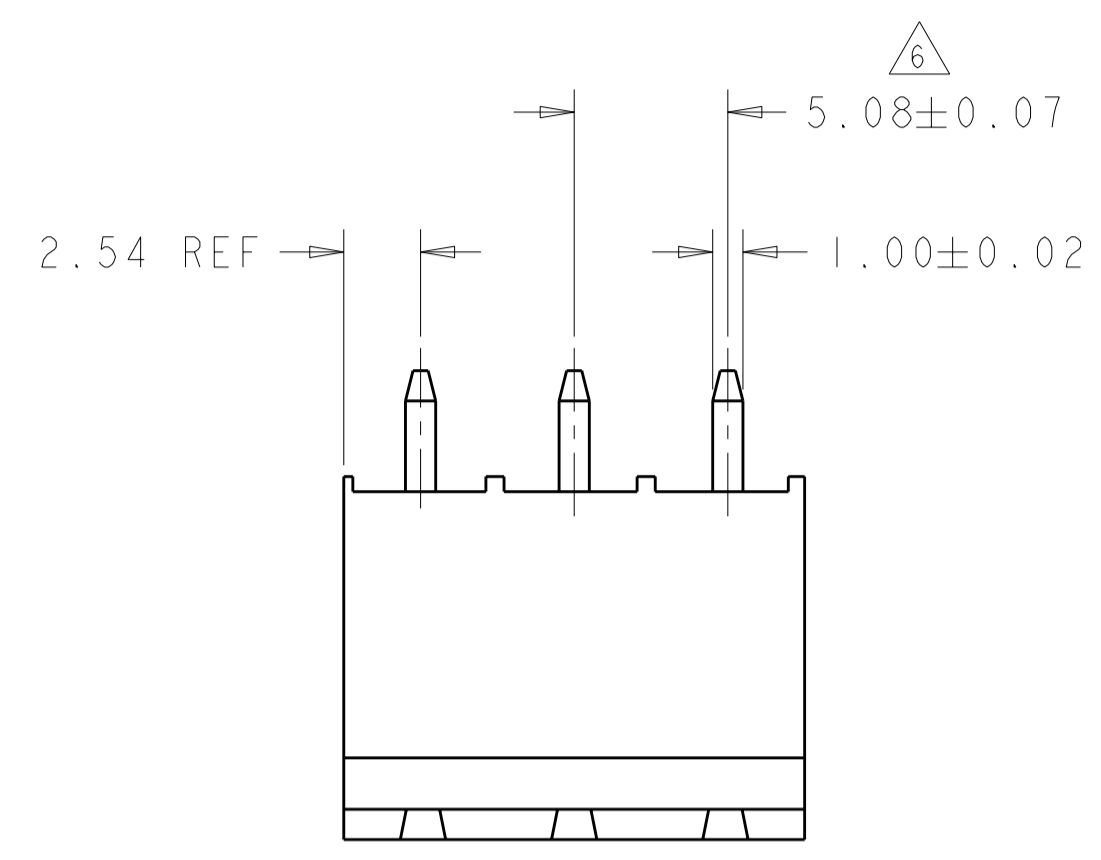


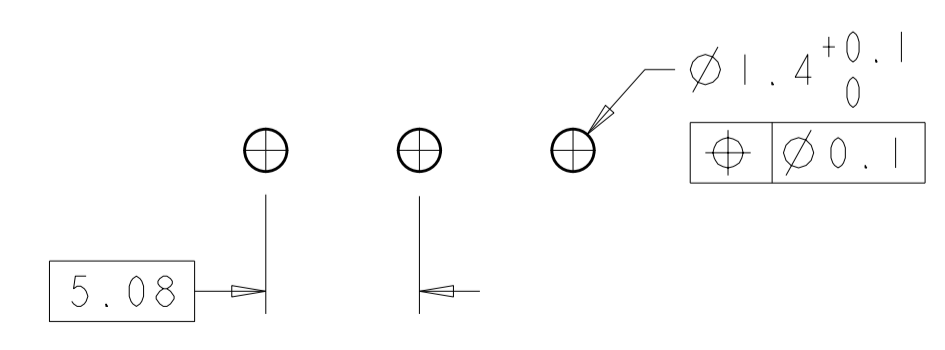
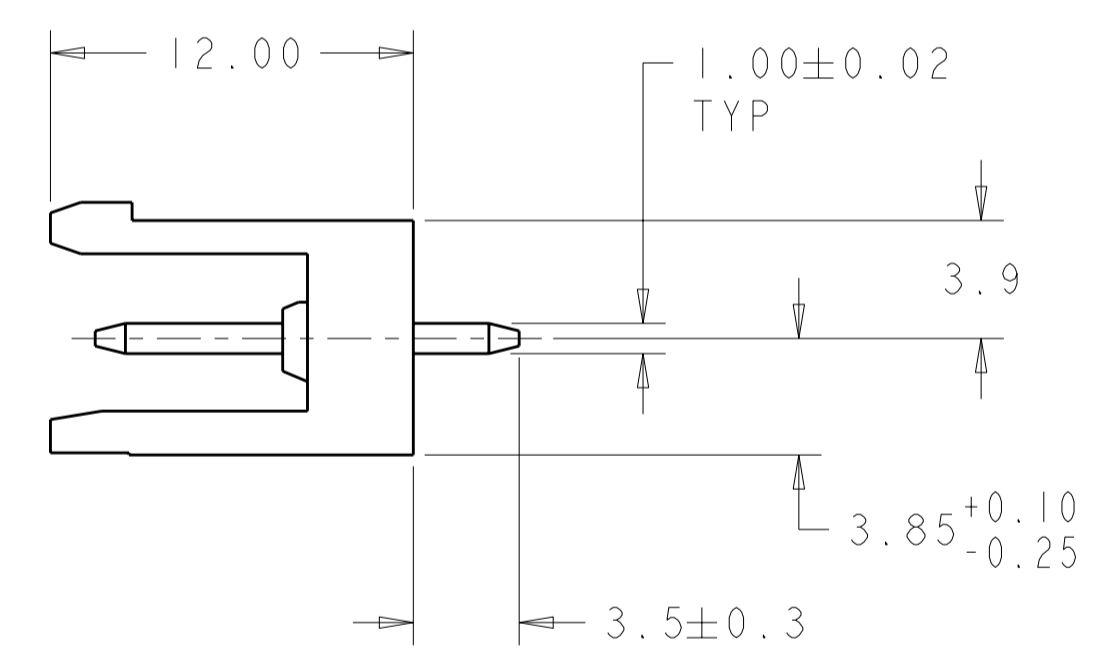
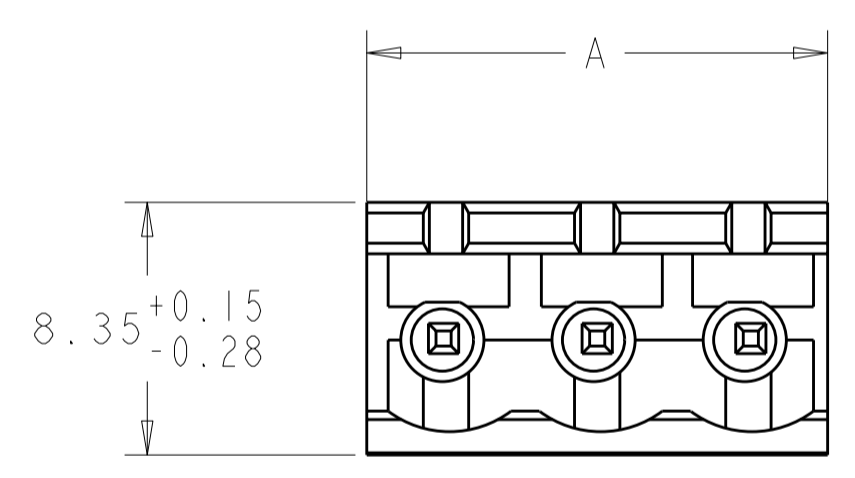
THIS DRAWING IS UNPUBLISHED. RELEASED FOR PUBLICATION 20
 © COPYRIGHT 20 Tyco Electronics AMP GmbH ALL RIGHTS RESERVED.

LOC	DIST	REVISIONS			
P	LTR	DESCRIPTION	DATE	DWN	APVD
FT	0				
		CI REVISED PER ECO-12-007964	02MAY2012	KH	MS



1546575-3 AS SHOWN

- △ MATERIALS AND FINISH
 HOUSING: PA 6-6, UL 94-V0, COLOR: BLACK.
 TERMINAL: COPPER ALLOY, FINISH: TIN PLATED.
- 2. SUITABLE FOR 1,6-2,4mm PC BOARD THICKNESS.
- 3. END-TO-END STACKABLE WITHOUT LOSS OF CENTERLINE SPACING.
- 4. RECOGNIZED UNDER THE COMPONENT PROGRAM OF UNDERWRITERS LABORATORIES INC. FILE N°E60677.
- 5. IMQ CERTIFICATE WITH SURVEILLANCE IN CONFORMITY WITH IEC 998-1/998-2-1.
- △ NOT CUMULATIVE TOLERANCE.



RECOMMENDED PC BOARD LAYOUT

127.00	25	2-1546575-5
121.92	24	2-1546575-4
116.84	23	2-1546575-3
111.76	22	2-1546575-2
106.68	21	2-1546575-1
101.60	20	2-1546575-0
96.52	19	1-1546575-9
91.44	18	1-1546575-8
86.36	17	1-1546575-7
81.28	16	1-1546575-6
76.20	15	1-1546575-5
71.12	14	1-1546575-4
66.04	13	1-1546575-3
60.96	12	1-1546575-2
55.88	11	1-1546575-1
50.80	10	1-1546575-0
45.72	9	1546575-9
40.64	8	1546575-8
35.56	7	1546575-7
30.48	6	1546575-6
25.40	5	1546575-5
20.32	4	1546575-4
15.24	3	1546575-3
10.16	2	1546575-2
A	NO OF POSN	PART NUMBER

THIS DRAWING IS A CONTROLLED DOCUMENT.

DIMENSIONS:	TOLERANCES UNLESS OTHERWISE SPECIFIED:	DWN S.WELDON 14MAY2003	TE Connectivity
mm	0 PLC ±	CHK C.RICHARD 14MAY2003	
	1 PLC ±.3	APVD C.RICHARD 14MAY2003	
	2 PLC ±.25	PRODUCT SPEC 108-20166	
	3 PLC ±.	APPLICATION SPEC 114-20079	NAME
	4 PLC ±.	WEIGHT -	TERMINAL BLOCK HEADER ASSEMBLY, 180 DEGREE, OPEN ENDS, STACKING, 5.08mm PITCH
MATERIAL	FINISH	CUSTOMER DRAWING	SIZE
			A200779
			CAGE CODE
			1546575
			DRAWING NO
			RESTRICTED TO
			-
			SCALE 4:1
			SHEET 1 OF 1
			REV C I