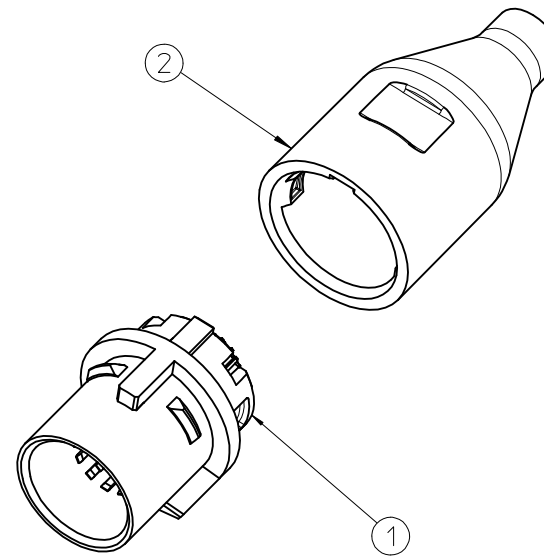


ITEM NUMBER	P/N	DESCRIPTION	QTY	SPQ
1	172355-2507	MPC D2 7 CIRCUIT DISPOSABLE HOUSING ASSEMBLY	1	10
2	172357-8000	MPC D2 MALE DISPOSABLE BOOT	1	10

NOTES:

- HOUSING ASSEMBLY TO BE PACKAGED IN TAPE AND REEL.
BOOT TO BE INDIVIDUALLY BULK PACKED IN BAGS
PER SPEC PK-70873-3344.
- MATERIAL: MEDICAL GRADE LEXAN; COLOR, BLACK
- SEE APPLICATION SPECIFICATION AS-172890-0000 FOR ASSEMBLY DETAILS.
- MATES WITH KIT P/N 172350-0710.



CHGD QTY EC NO: UCP2016-0326 DRWN: JONIAK 2015/07/21 CHKD: APPR: RHODGE 2015/07/21	DESCRIPTION REV	QUALITY SYMBOLS	GENERAL TOLERANCES (UNLESS SPECIFIED)		DIMENSION STYLE MM ONLY		SCALE 2:1	DESIGN UNITS METRIC	THIRD ANGLE PROJECTION
		▽=0	mm	INCH	DRAWN BY JONIAK	DATE 2015/02/06	TITLE MPC D2 MALE DISPOSABLE ASSEMBLY KIT 7 CIRCUIT molex		
		▽=0	4 PLACES ± ---	± ---	CHECKED BY	DATE			
		▽=0	3 PLACES ± ---	± ---	APPROVED BY RHODGE	DATE 2015/03/06	MATERIAL NO. 172890-0710	DOCUMENT NO. SD-172890-0710	SHEET NO. 1 OF 1
DRAFT WHERE APPLICABLE MUST REMAIN WITHIN DIMENSIONS			ANGULAR ±1/2°		THIS DRAWING CONTAINS INFORMATION THAT IS PROPRIETARY TO MOLEX INCORPORATED AND SHOULD NOT BE USED WITHOUT WRITTEN PERMISSION				