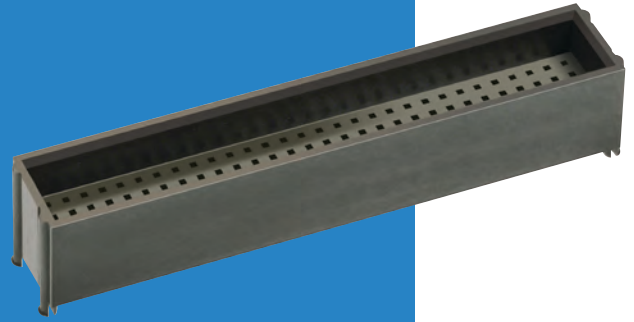


# PC/104 Plus Connectors

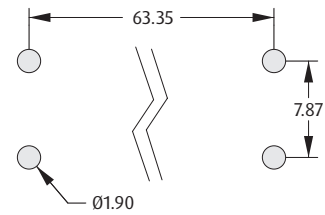
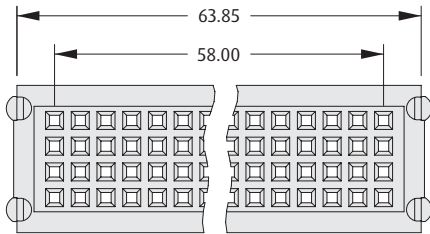
PC/104, PC/104 PLUS

## Accessories

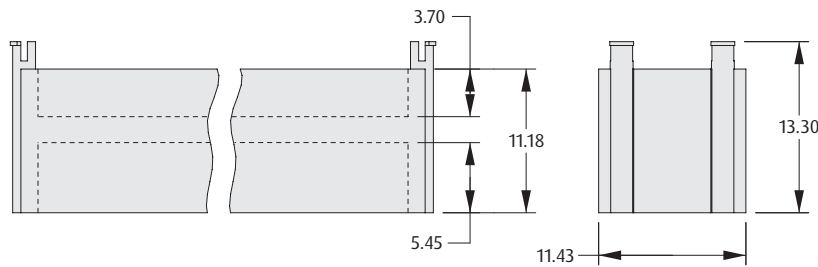
- ❖ Accessory components for use with the PC/104 Plus range.
- ❖ The shroud is used to protect the long tails of the Stackthrough connector from the previous page, and ensures alignment with a mating connector. It self retains on the underside of the PCB after the Stackthrough connector has been soldered to the PCB, by latching into the four mounting holes.



## PC/104 PLUS SHROUD



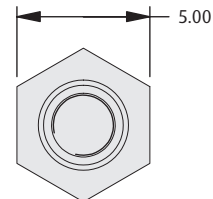
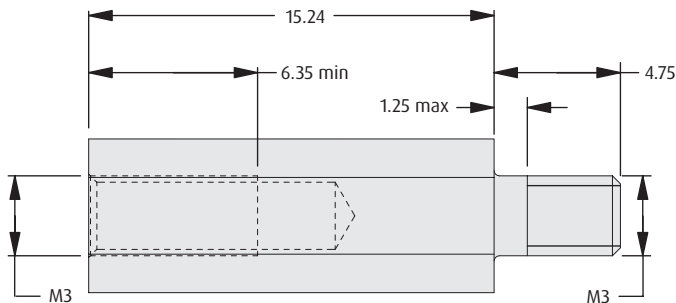
Recommended PC Board Pattern



**ORDER CODE**

**M22-6043098**

## PC/104 SPACER



**ORDER CODE**

**R6104-02**

All dimensions in mm.