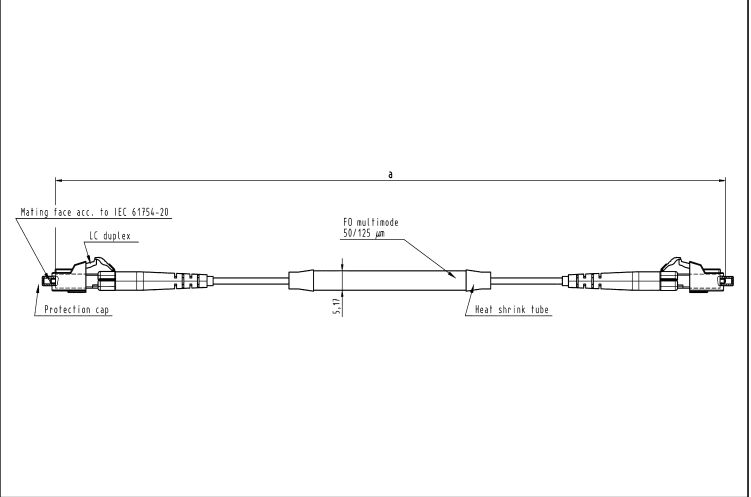


Identification	Part No.	Drawing	Dimensions in mm
----------------	----------	---------	------------------

**Jumper cable**  
2 x LC duplex  
Multi Mode 50/125 µm

Length: a = 1 m  
a = 2 m  
a = 3 m  
a = 4 m  
a = 5 m  
a = 6 m  
a = 7 m  
a = 8 m  
a = 9 m  
a = 10 m

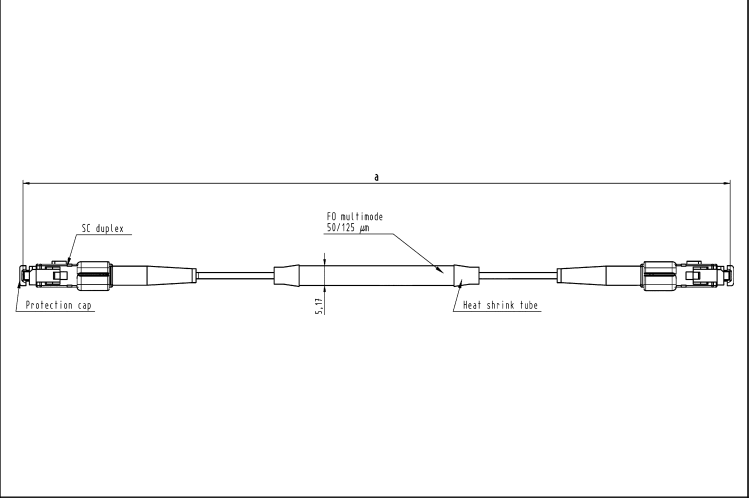
33 01 241 0010 005  
33 01 241 0020 005  
33 01 241 0030 005  
33 01 241 0040 005  
33 01 241 0050 005  
33 01 241 0060 005  
33 01 241 0070 005  
33 01 241 0080 005  
33 01 241 0090 005  
33 01 241 0100 005



**Jumper cable**  
2 x SC duplex  
Multi Mode 50/125 µm

Length: a = 1 m  
a = 2 m  
a = 3 m  
a = 4 m  
a = 5 m  
a = 6 m  
a = 7 m  
a = 8 m  
a = 9 m  
a = 10 m

33 01 241 0010 006  
33 01 241 0020 006  
33 01 241 0030 006  
33 01 241 0040 006  
33 01 241 0050 006  
33 01 241 0060 006  
33 01 241 0070 006  
33 01 241 0080 006  
33 01 241 0090 006  
33 01 241 0100 006



**Jumper cable**  
2 x ST duplex  
Multi Mode 50/125 µm

Length: a = 1 m  
a = 2 m  
a = 3 m  
a = 4 m  
a = 5 m  
a = 6 m  
a = 7 m  
a = 8 m  
a = 9 m  
a = 10 m

33 01 241 0010 007  
33 01 241 0020 007  
33 01 241 0030 007  
33 01 241 0040 007  
33 01 241 0050 007  
33 01 241 0060 007  
33 01 241 0070 007  
33 01 241 0080 007  
33 01 241 0090 007  
33 01 241 0100 007

