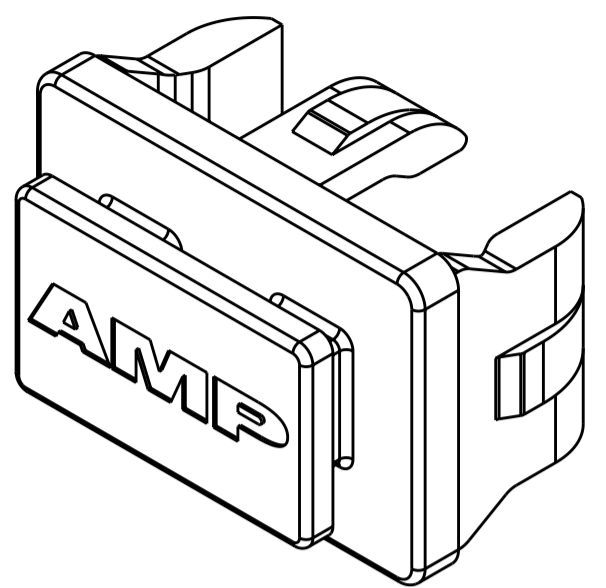
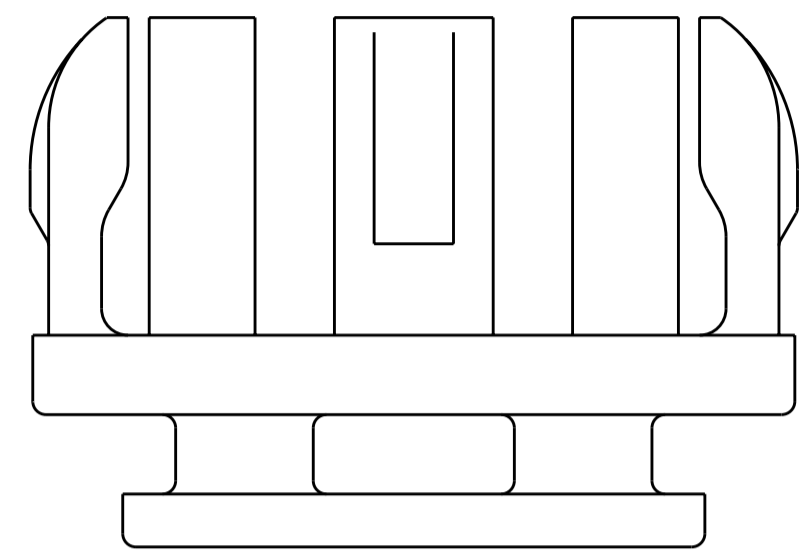


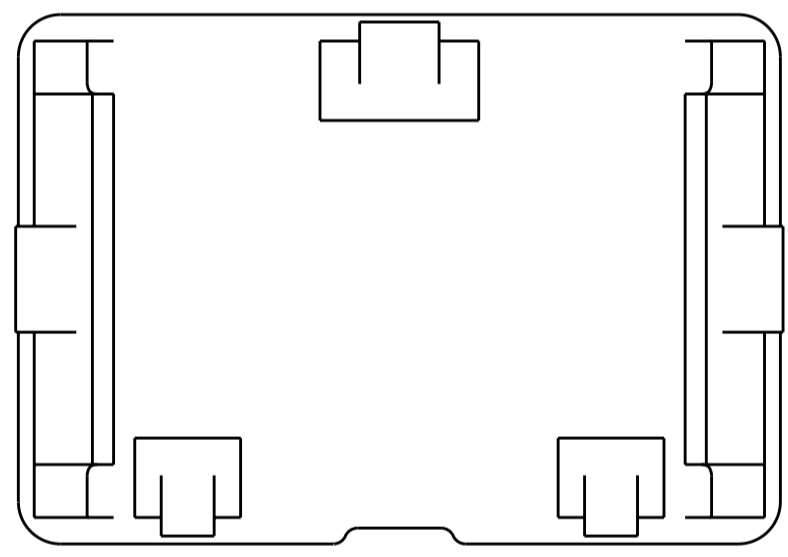
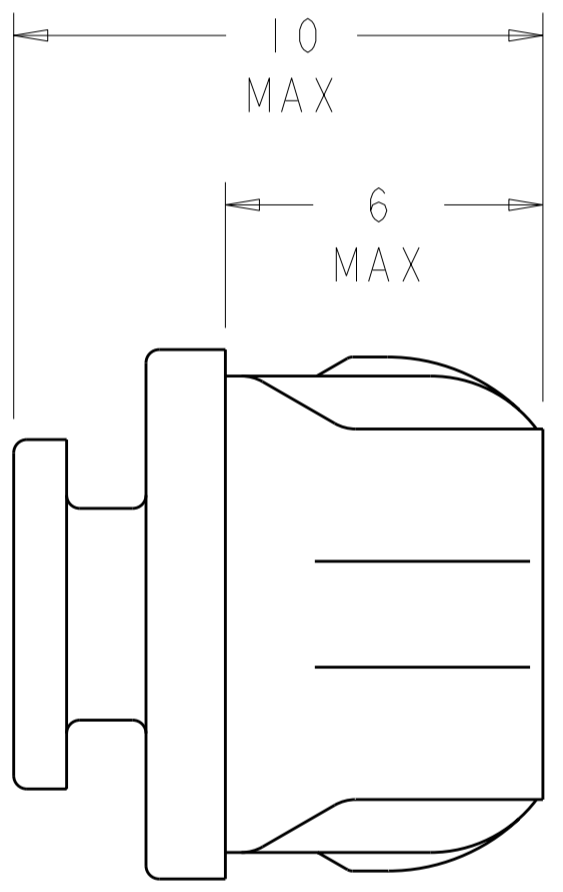
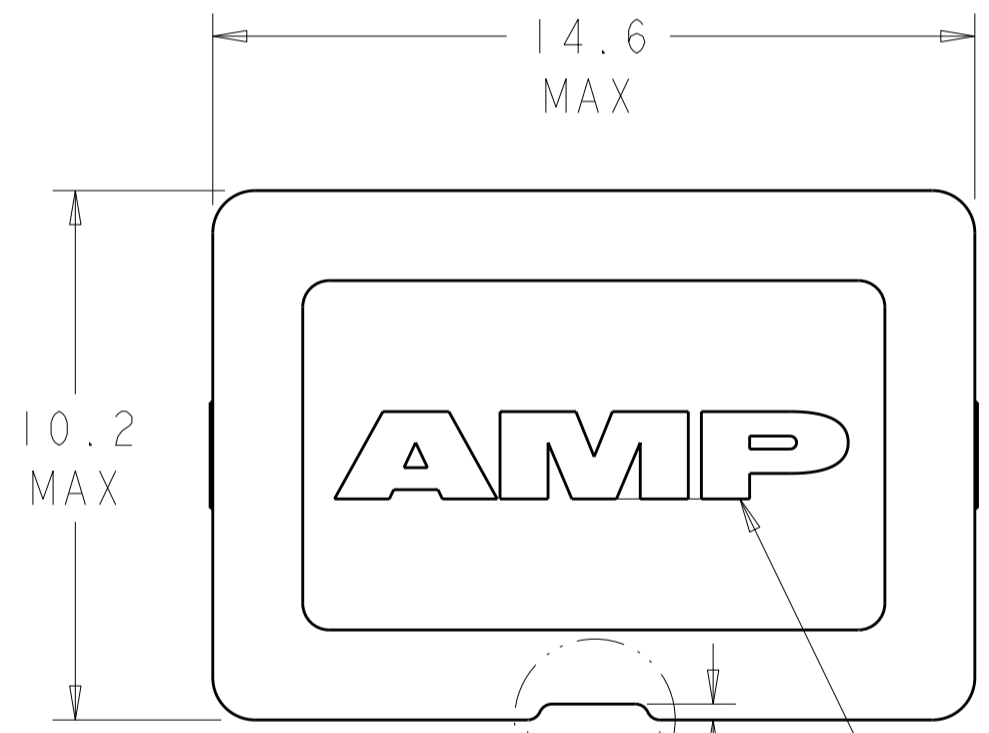
THIS DRAWING IS UNPUBLISHED. RELEASED FOR PUBLICATION 20
 © COPYRIGHT 20 ALL RIGHTS RESERVED.

LOC	DIST	REVISIONS					
GP	00	P	LTR	DESCRIPTION	DATE	DWN	APVD
		C1		REVISED PER ECO-11-005294	06APR2011	RK	HMR
		C2		REVISED PER ECR-11-009436	06MAY2011	KS	MO.W
		C3		REVISED PER ECR-11-009898	12MAY2011	KS	MO.W



SCALE 5:1

- ① THERMOPLASTIC MOLDING COMPOUND.
- ② TIN PLATING OVER COPPER PLATING.
- ③ OBSOLETE.
- ④ OPTIONAL GATE RECESS FEATURE.



AMP LOGO FOR -1 & -2
 0.3 REF
 2.5 REF
 ④

NO	-	①	1367147-3
YES	②	1367147-1	③ 1367147-2
YES	-	①	1367147-1
AMP LOGO	FINISH	MATERIAL	PART NUMBER

THIS DRAWING IS A CONTROLLED DOCUMENT.		DWN P. KERLIN 30AUG2000	TE Connectivity	
DIMENSIONS: mm		CHK E. BRIGHT 30AUG2000		
TOLERANCES UNLESS OTHERWISE SPECIFIED:		APVD E. BRIGHT 30AUG2000	NAME COVER, SFP	
0 PLC ± 1 PLC ± 2 PLC ± 3 PLC ± 4 PLC ± ANGLES ± FINISH		PRODUCT SPEC -	SIZE A200779	
MATERIAL SEE TABLE		APPLICATION SPEC -	DRAWING NO C-1367147	
WEIGHT -		RESTRICTED TO -		SCALE 7:1
CUSTOMER DRAWING		SHEET 1 OF 1		REV C3