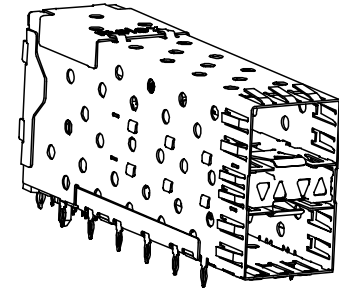
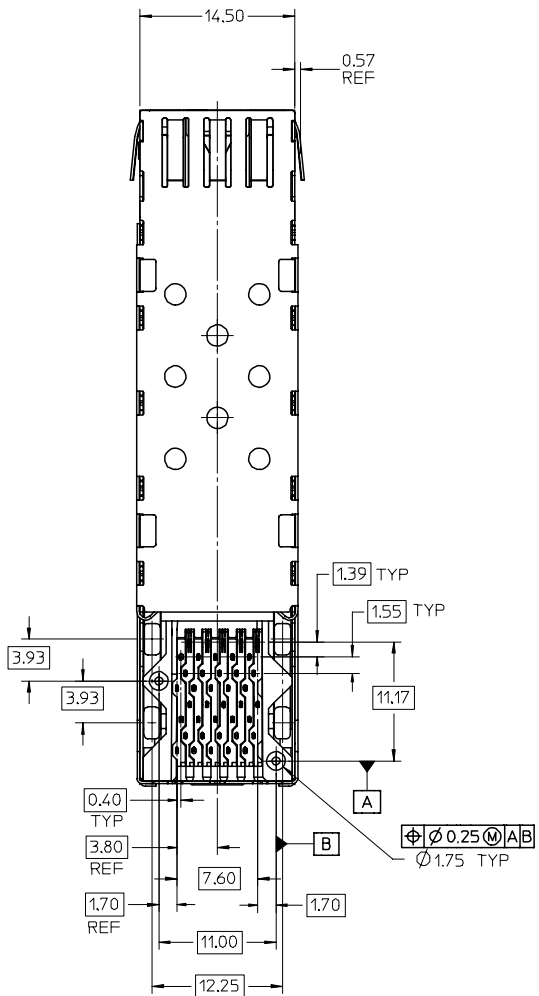


NOTES

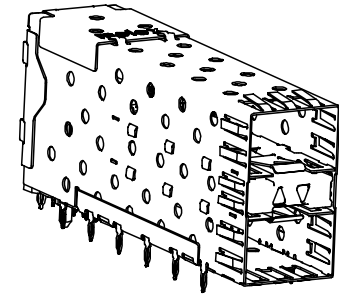
- MATERIAL:
 CAGE: NICKEL SILVER, THICKNESS: 0.25mm
 CONNECTOR HOUSING: GLASS FILLED HIGH TEMP PLASTIC, COLOR: BLACK
 OVERMOLDED TERMINAL HOUSING: GLASS FILLED HIGH TEMP PLASTIC, COLOR: BLACK
 TERMINALS: BRASS
 LIGHT PIPES: POLYCARBONITE, 94 V-0, CLEAR
 LIGHT PIPE HOUSING: ZINC
- FINISH
 LIGHT PIPE HOUSING: 150 MICRONS NICKEL OVER 150 MICRONS COPPER
 TERMINALS: CONTACT AREA: 0.76 MICRONS MIN. HARD GOLD OVER 1.27 MICRONS MIN. NICKEL.
 COMPLIANT TAIL - TIN/LEAD OPTION: 0.76 - 1.52 MICRONS 90/10 TIN/LEAD OVER 0.76 - 1.52 MICRONS NICKEL
 COMPLIANT TAIL - TIN OPTION: 0.76 - 1.52 MICRONS TIN OVER 0.76 - 1.52 MICRONS NICKEL
- REFER TO PS-75310-001 PRODUCT SPEC FOR ALL ELECTRICAL, MECHANICAL, AND ENVIRONMENTAL SPECIFICATIONS.
- LIGHT PIPE PAD LAYOUT IS FOR 0805 LOW-PROFILE LED PACKAGE. FOR OTHER RECOMMENDED LAYOUTS REFER TO MOLEX'S REPORT TS-75310-001.
- REFER TO PK-75462-001 FOR ALL PACKAGING SPECIFICATIONS.
- THE CURVED TAILS THAT GO INTO THE HOLES LOCATED BY THESE DIMENSIONS ARE BEING ELIMINATED. TO ACCOMMODATE THIS CONVERSION, IT IS RECOMMENDED THAT BOARDS DESIGNED TO THIS PRINT REVISION INCLUDE THESE HOLES.
- PART COMPLIES WITH COSMETIC SPECIFICATION PS-45499-002. SEE SHEET 4 SECTION Z-Z FOR SURFACE CLASSIFICATIONS, UNDERSIDE OF CAGE COMPLIES WITH CLASS "C".

PART NUMBER	DESCRIPTION	VIEW	COMPLIANT TAIL PLATING
75640-0001	4 PORT LIGHT PIPE	SEE PG 2	TIN LEAD
75640-0002	INNER 2 PORTS	SEE PG 2	TIN LEAD
75640-0003	OUTER 2 PORTS	SEE PG 2	TIN LEAD
75640-5001	4 PORT LIGHT PIPE	SEE PG 2	TIN
75640-5002	INNER 2 PORTS	SEE PG 2	TIN
75640-5003	OUTER 2 PORTS	SEE PG 2	TIN

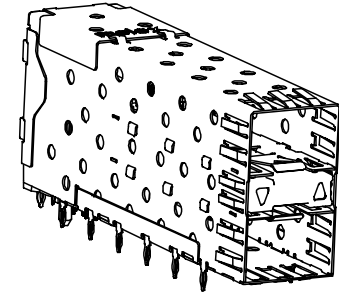
ADD NOTE 7 EC NO: UCP2008-0867 DRWN:MSIBARRA 2007/11/13 CHKD:BBARKER 2007/11/30 APPR:SMILLER 2007/12/03	QUALITY SYMBOLS ▽ -0 ▽ = 0	GENERAL TOLERANCES (UNLESS SPECIFIED)		SCALE 3:1	DESIGN UNITS METRIC	THIRD ANGLE PROJECTION	REVISE ON CAD ONLY
		mm	INCH	DIMENSION STYLE MM ONLY			
		4 PLACES ± ---	± ---	DRAWN BY JLONG	DATE 05-15-2004		
		3 PLACES ± ---	± ---	CHECKED BY JLONG	DATE 04-16-2004		
		2 PLACES ± 0.13	± ---	APPROVED BY KREGNIER	DATE 04-19-2004	MATERIAL NO. SEE CHART SD-75640-001	DOCUMENT NO.
		1 PLACE ± 0.25	± ---	THIS DRAWING CONTAINS INFORMATION THAT IS PROPRIETARY TO MOLEX INCORPORATED AND SHOULD NOT BE USED WITHOUT WRITTEN PERMISSION			
		ANGULAR ± 5°		MOLEX INCORPORATED			
		DRAFT WHERE APPLICABLE MUST REMAIN WITHIN DIMENSIONS		SHEET NO. 1 OF 4			



756400001 & 756405001
WITH 4 LIGHT PIPE PORTS

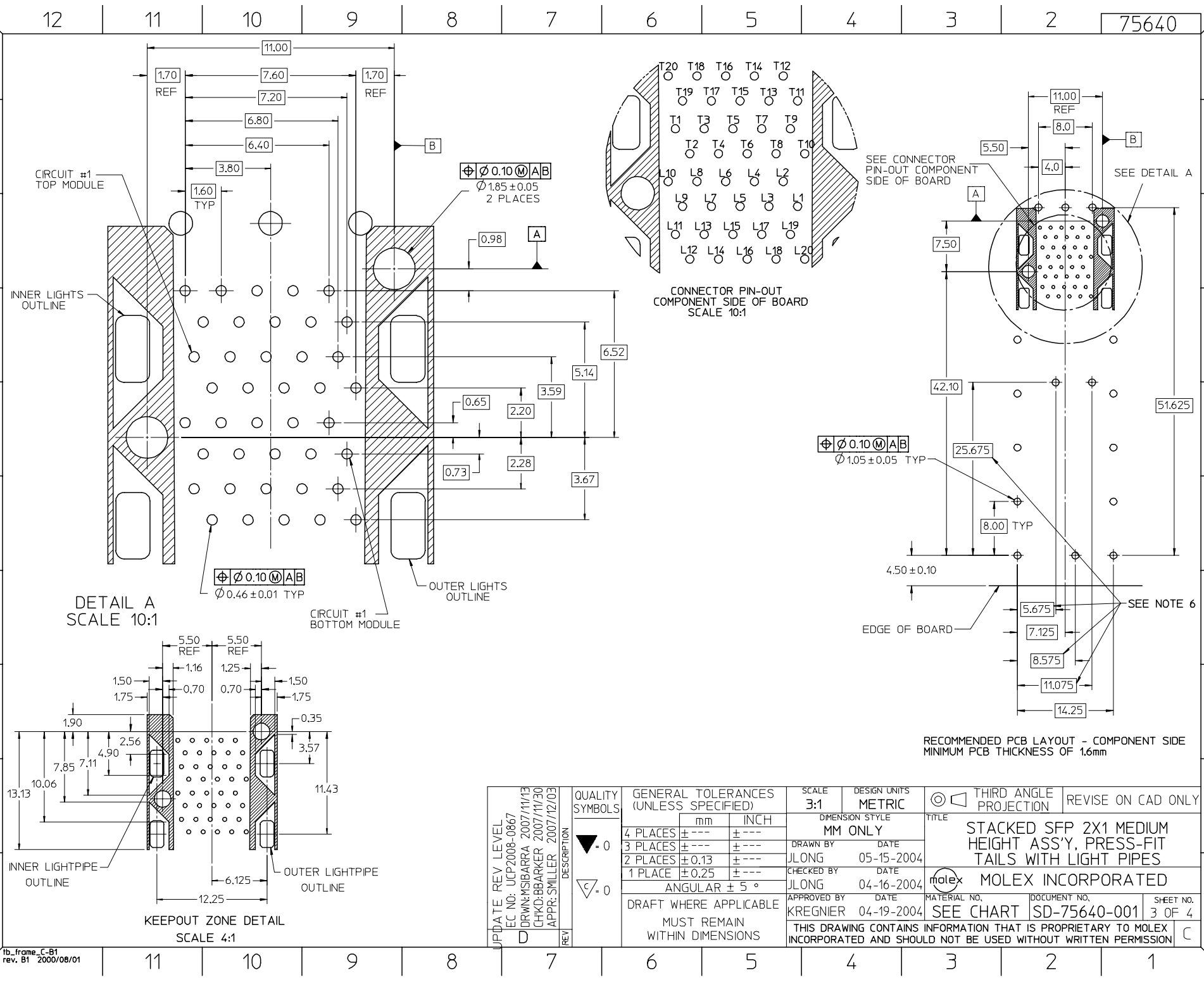


756400002 & 756405002
WITH INNER LIGHT PIPE PORTS



756400003 & 756405003
WITH OUTER LIGHT PIPE PORTS

DATE: REV LEVEL EC NO: UCP2008-0867 DRWN: MSIBARRA 2007/11/13 CHKD: BBARKER 2007/11/30 APPR: SMILLER 2007/12/03	QUALITY SYMBOLS ▽ = 0 ▽ = 0	GENERAL TOLERANCES (UNLESS SPECIFIED)		SCALE 3:1	DESIGN UNITS METRIC	THIRD ANGLE PROJECTION REVISE ON CAD ONLY	
		4 PLACES ± --- ± --- 3 PLACES ± --- ± --- 2 PLACES ± 0.13 ± --- 1 PLACE ± 0.25 ± ---	DIMENSION STYLE MM ONLY	TITLE STACKED SFP 2X1 MEDIUM HEIGHT ASS'Y, PRESS-FIT TAILS WITH LIGHT PIPES			
		DRAFT WHERE APPLICABLE MUST REMAIN WITHIN DIMENSIONS	APPROVED BY KREGNIER 04-19-2004	DATE 04-16-2004	MATERIAL NO. SEE CHART	DOCUMENT NO. SD-75640-001	SHEET NO. 2 OF 4
		THIS DRAWING CONTAINS INFORMATION THAT IS PROPRIETARY TO MOLEX INCORPORATED AND SHOULD NOT BE USED WITHOUT WRITTEN PERMISSION					



SEE CONNECTOR PIN-OUT COMPONENT SIDE OF BOARD

SEE DETAIL A

CONNECTOR PIN-OUT COMPONENT SIDE OF BOARD SCALE 10:1

DETAIL A SCALE 10:1

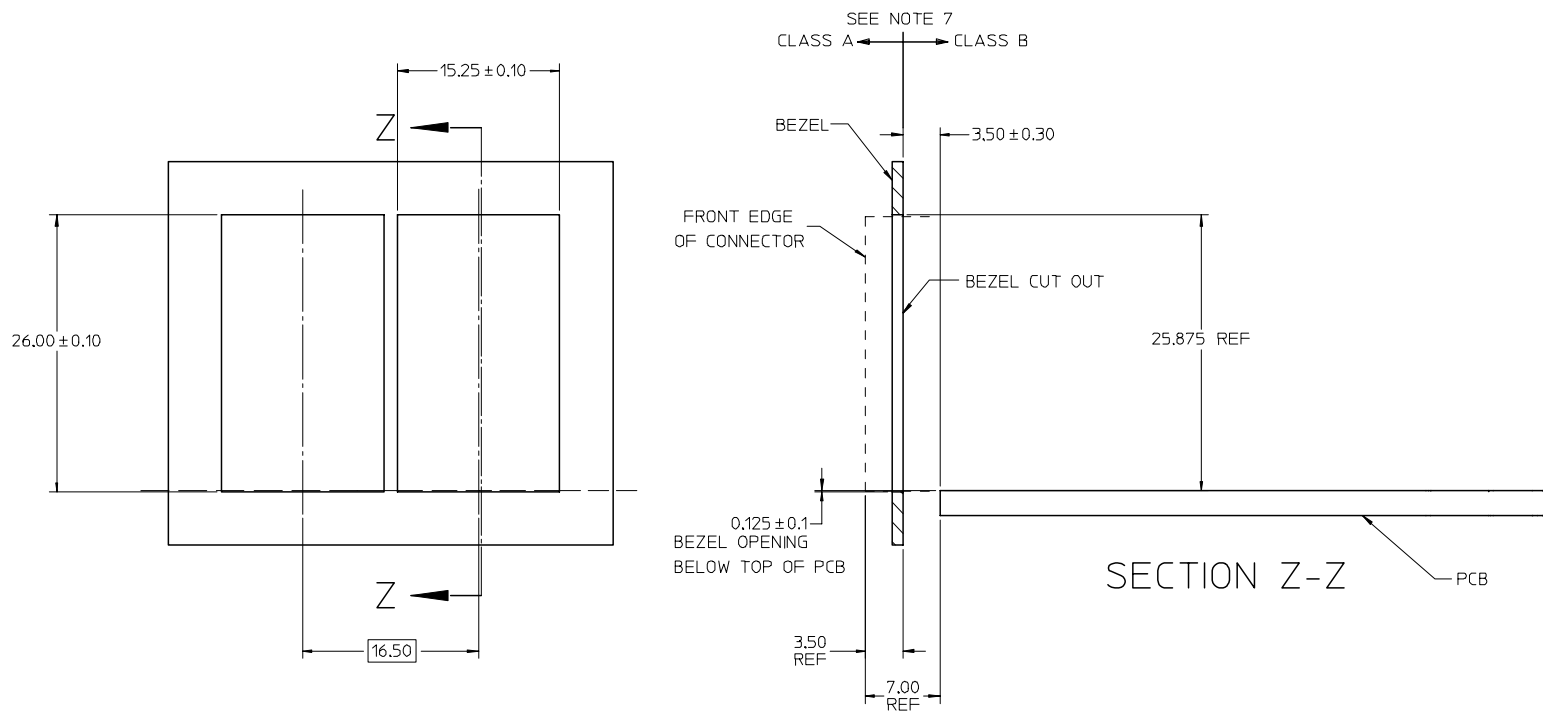
KEEPOUT ZONE DETAIL SCALE 4:1

RECOMMENDED PCB LAYOUT - COMPONENT SIDE
MINIMUM PCB THICKNESS OF 1.6mm

UPDATE REV LEVEL EC NO: UCP2008-0867 DRWN:MSIBARRA 2007/11/13 CHKD:BBARKER 2007/11/30 APPR:SMILLER 2007/12/03	QUALITY SYMBOLS ▽ = 0 ▽ = 0	GENERAL TOLERANCES (UNLESS SPECIFIED)		SCALE 3:1	DESIGN UNITS METRIC	THIRD ANGLE PROJECTION	REVISE ON CAD ONLY
		4 PLACES ± --- ± --- 3 PLACES ± --- ± --- 2 PLACES ± 0.13 ± --- 1 PLACE ± 0.25 ± ---	DIMENSION STYLE MM ONLY	TITLE STACKED SFP 2X1 MEDIUM HEIGHT ASS'Y, PRESS-FIT TAILS WITH LIGHT PIPES			
		ANGULAR ± 5°	DRAWN BY JLONG DATE 05-15-2004 CHECKED BY JLONG DATE 04-16-2004	MOLEX INCORPORATED			
		DRAFT WHERE APPLICABLE MUST REMAIN WITHIN DIMENSIONS	APPROVED BY KREGNIER DATE 04-19-2004	MATERIAL NO. SEE CHART DOCUMENT NO. SD-75640-001	SHEET NO. 3 OF 4		

J
I
H
G
F
E
D
C
B
A

J
I
H
G
F
E
D
C
B
A



BEZEL CUT-OUT CENTER SPACING DETAIL
BEZEL THICKNESS 0.8-2.6

COSMETIC CLASS EC NO: UCP2008-0867 DRWN:MSIBARRA 2007/11/13 CHKD:BBARKER 2007/11/30 APPR:SMILLER 2007/12/03	QUALITY SYMBOLS	GENERAL TOLERANCES (UNLESS SPECIFIED)		SCALE 3:1	DESIGN UNITS METRIC	THIRD ANGLE PROJECTION	REVISE ON CAD ONLY	
	$\nabla = 0$ $\sphericalangle = 0$	mm	INCH	DIMENSION STYLE MM ONLY		TITLE STACKED SFP 2X1 MEDIUM HEIGHT ASS'Y, PRESS-FIT TAILS WITH LIGHT PIPES		
		4 PLACES	± ---	± ---	DRAWN BY JLONG	DATE 05-15-2004	MOLEX INCORPORATED	
		3 PLACES	± ---	± ---	CHECKED BY JLONG	DATE 04-16-2004	MATERIAL NO. SEE CHART	DOCUMENT NO. SD-75640-001
	2 PLACES	± 0.13	± ---	APPROVED BY KREGNIER	DATE 04-19-2004	SHEET NO. 4 OF 4		
	1 PLACE	± 0.25	± ---	THIS DRAWING CONTAINS INFORMATION THAT IS PROPRIETARY TO MOLEX INCORPORATED AND SHOULD NOT BE USED WITHOUT WRITTEN PERMISSION				
	ANGULAR ± 5°		DRAFT WHERE APPLICABLE MUST REMAIN WITHIN DIMENSIONS					