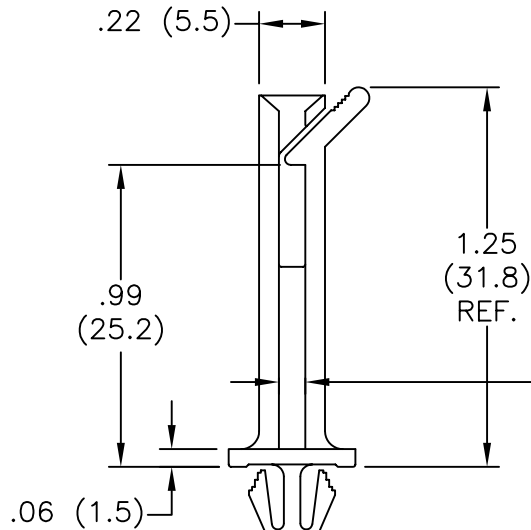
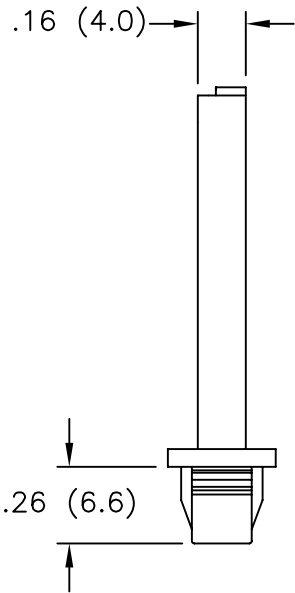
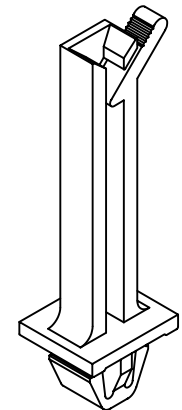
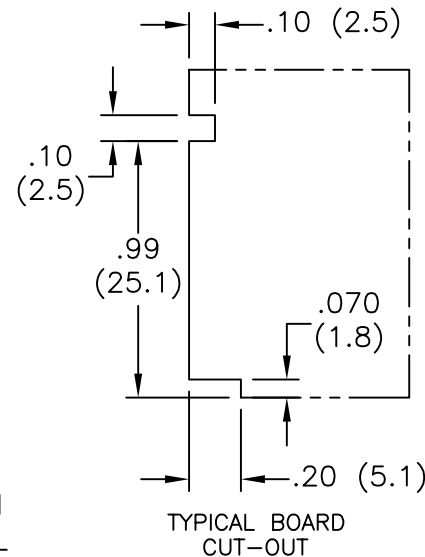


MOUNTING HOLE DIMENSIONS ± 0.003 (± 0.08)



ACCOMODATES
A 1/16 (1.6)
NOMINAL THICK
BOARD

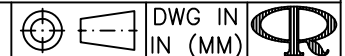
TO FIT IN A .047 TO .071
(1.2 TO 1.8) THICK PANEL



NOTES:

1. MAT'L: NYLON 66 (RMS-01), NAT.
2. FLAME RETARDANT NYLON (RMS-19), AVAILABLE BY SPECIAL ORDER

TITLE: VERTICAL MOUNT CARD GUIDE-LATCHED (UK)



TOLERANCES UNLESS NOTED .XX=±.010 .XXX=±.005 FRAC=±1/64 ANG=±1°		FILE # VMCGLE	DWN: P.B.	APP:	DWG IN IN (MM)	FINAL
MAT'L: SEE NOTES		RE: RICHCO, INC.	DT: 04-06-94	DT:	PART # VMCGLE-31M-01	PRINT TYPE CA
C DIM .279 WAS .276, CHANGED FILE NO. SM 11.29.01		RICHCO INC. PO BOX 804238, CHICAGO, 60680 (773) 539-4060				
B TYPICAL BOARD CUT-OUT ADDED PB 110394						
A P/N VMCGLE-31M-01 WAS VMCGLE PB 100394						
REV DESCRIPTION ENGR DATE						