

DETAILS

Product Number	CA11181_BROOKE-S
Family	Brooke
Type	RefAssy
Color	metal
Diameter	45 mm
Height	20,1 mm
Style	round
Optic Material	
Holder Material	
Fastening	tape
Status	production ready
ROHS Compliant	Yes
Date Updated	11/11/2016



OPTICAL PROPERTIES

LED	Viewing	Light	Effi-		Connector
	Angle	Beam	ciency	cd/lm	
BXRA ES Rectangle	24 deg	Spot	94 %	-	-
V6 Gen6	12 deg	Spot	94 %	7.300	-
V8 Gen6	15 deg	Spot	94 %	5.200	-
CXA/B 13xx	12 deg	Spot	94 %	7.900	-
XHP70	15 deg	Spot	94 %	5.500	-

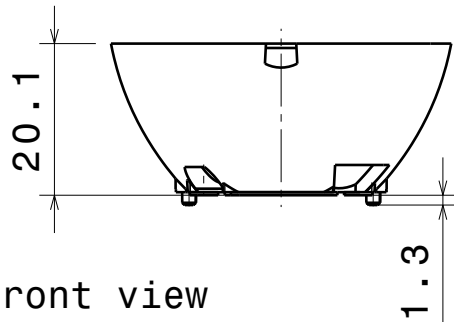
D

C

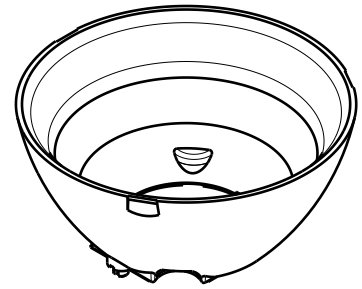
B

A

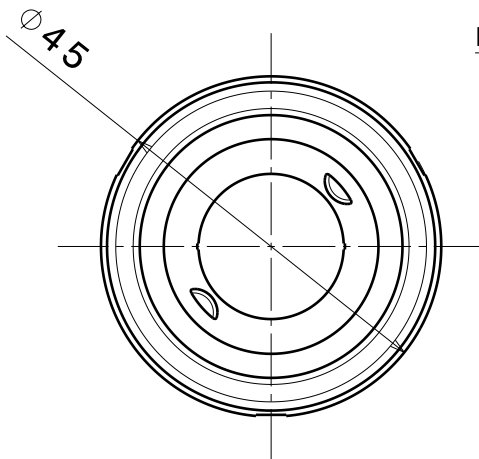
4



Front view

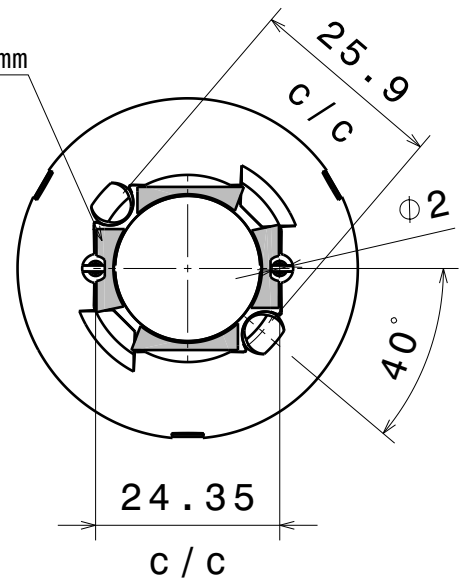
Isometric view
Scale: 1:1

3



Top view

PU foam tape 0.4mm



Bottom view

2

2

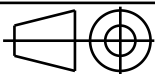
INDEX	PART NO	DESCRIPTION	MATERIAL	COLOUR
1	-	BROOKE reflector	PC	metal

Tolerances if not otherwise shown
According to DIN ISO 2768-1
Linear measures:
Up to 30mm class M, otherwise class C.
According to DIN ISO 2768-2
Form and position: class L

LEDiL

Ledil Oy
Salorankatu 10
FIN 24240 SALO
Finland

THIRD ANGLE PROJECTION:



DRAWING TITLE

BROOKE-tape series

This drawing is the property
of LEDiL Oy. It may not be
reproduced, copied or
communicated without a written
agreement with LEDiL Oy.

SIZE PART NUMBER

A4

-

SCALE 1:1 WEIGHT

-

SHEET 1/1

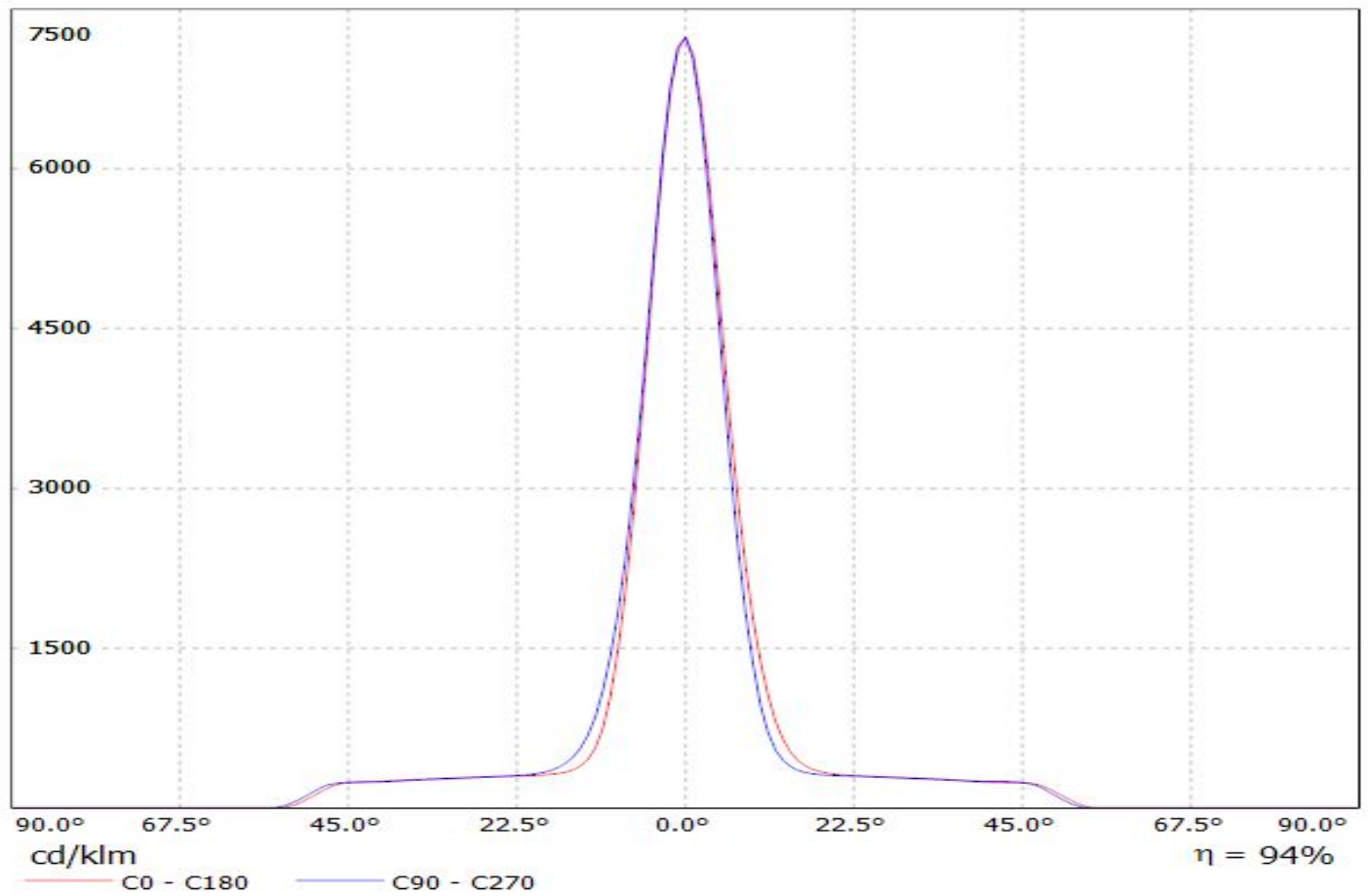
1

1

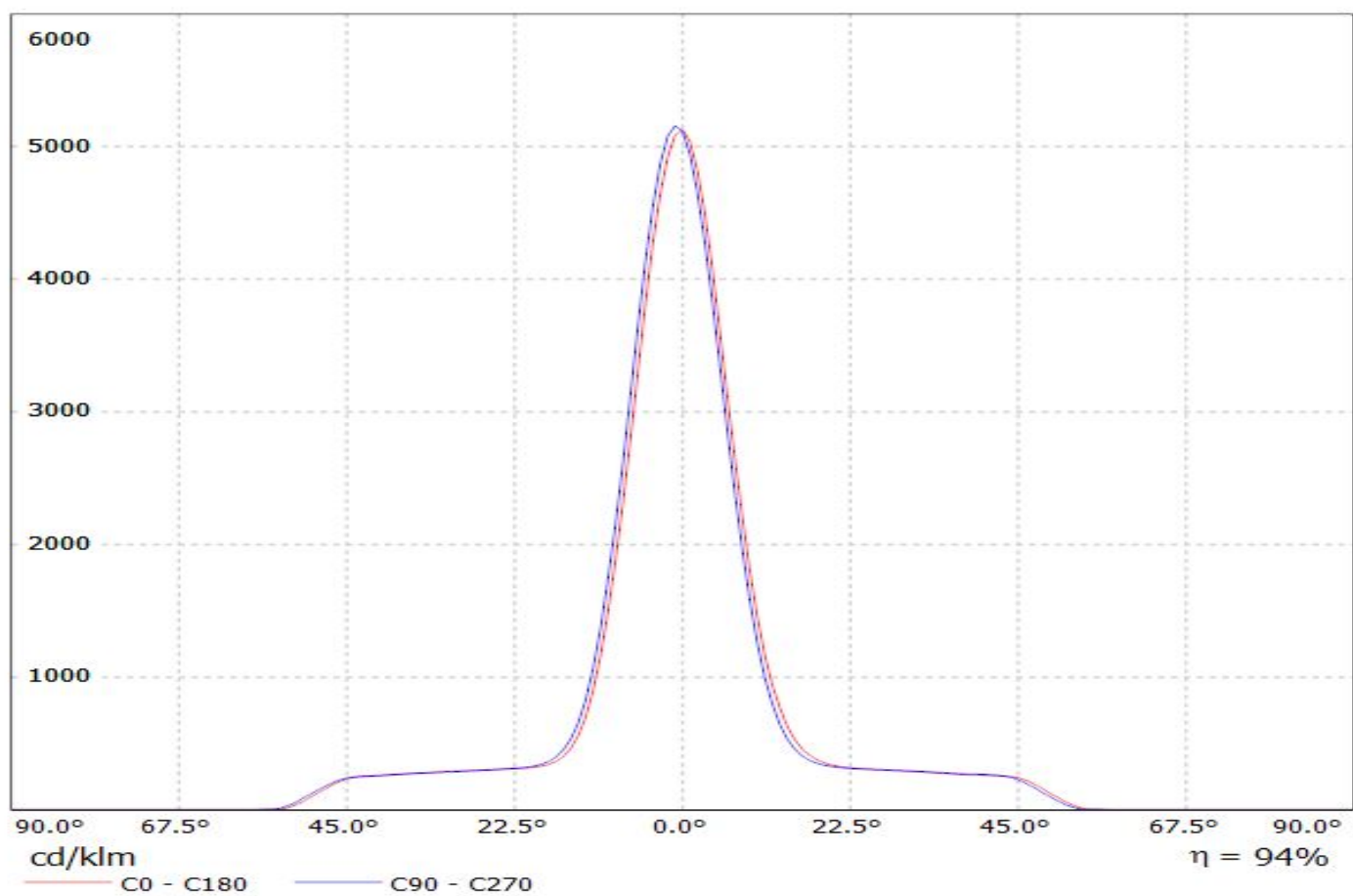
D

A

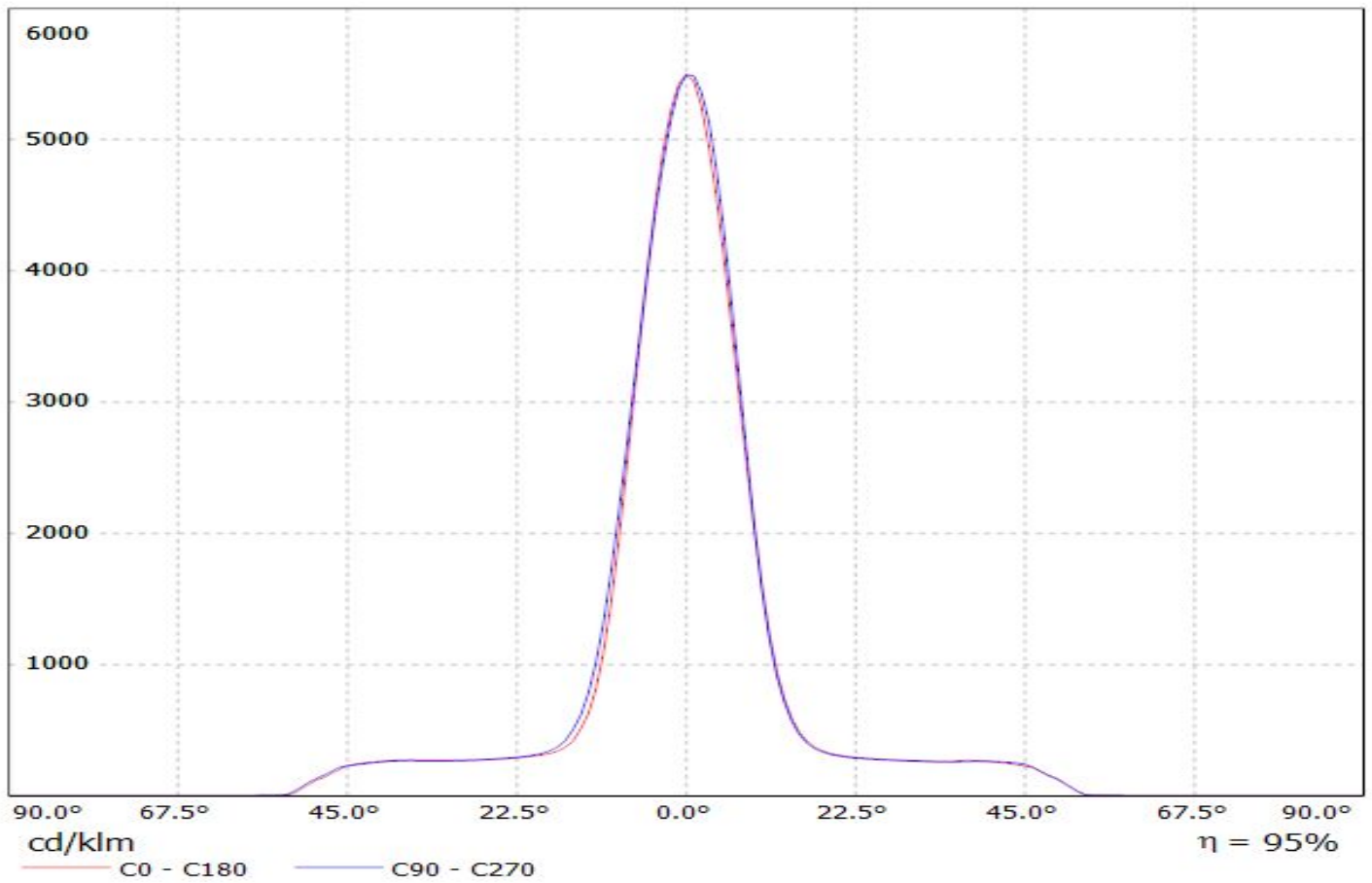
Luminaire: LEDiL Oy CA11181_BROOKE-S_(V6) Eff.94.0%
Lamps: 1 x BRIDGELUX_V6_494.5lm@250mA_P=5.22041W_I=249.9mA



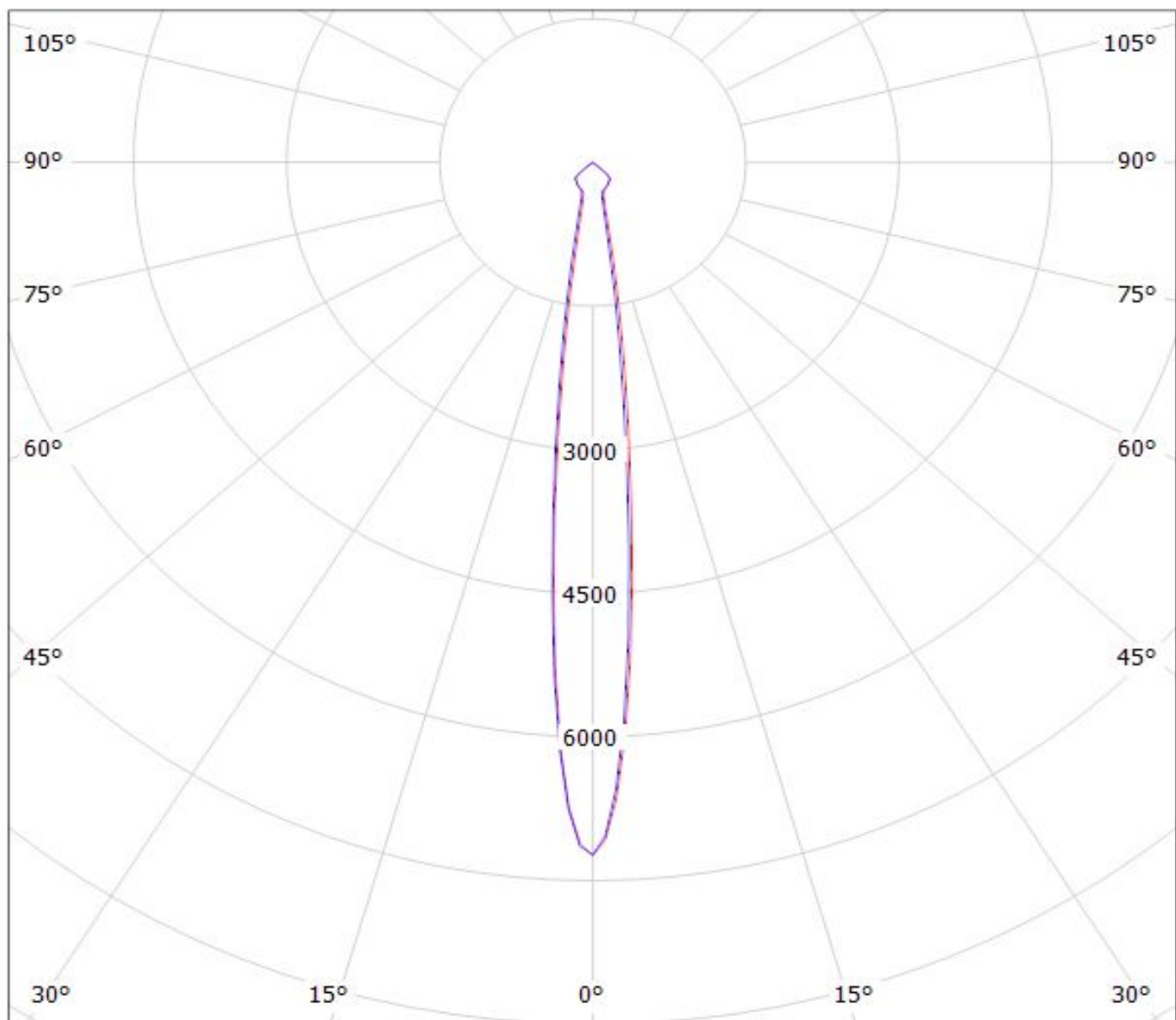
Luminaire: LEDiL Oy CA11181_BROOKE-S_(V8) Eff.94%
Lamps: 1 x BRIDGELUX_V8_847.064lm@250mA_P=8.83692W_I=249.8mA



Luminaire: LEDiL Oy CA11181_BROOKE-S_(XHP70)
Lamps: 1 x Cree_XHP70_261.415lm@250mA_P=1.38207W_I=249.9mA



Luminaire: LEDiL Oy CA11181_BROOKE-S_(V6) Eff.94.0%
Lamps: 1 x BRIDGELUX_V6_494.5lm@250mA_P=5.22041W_I=249.9mA



cd/klm

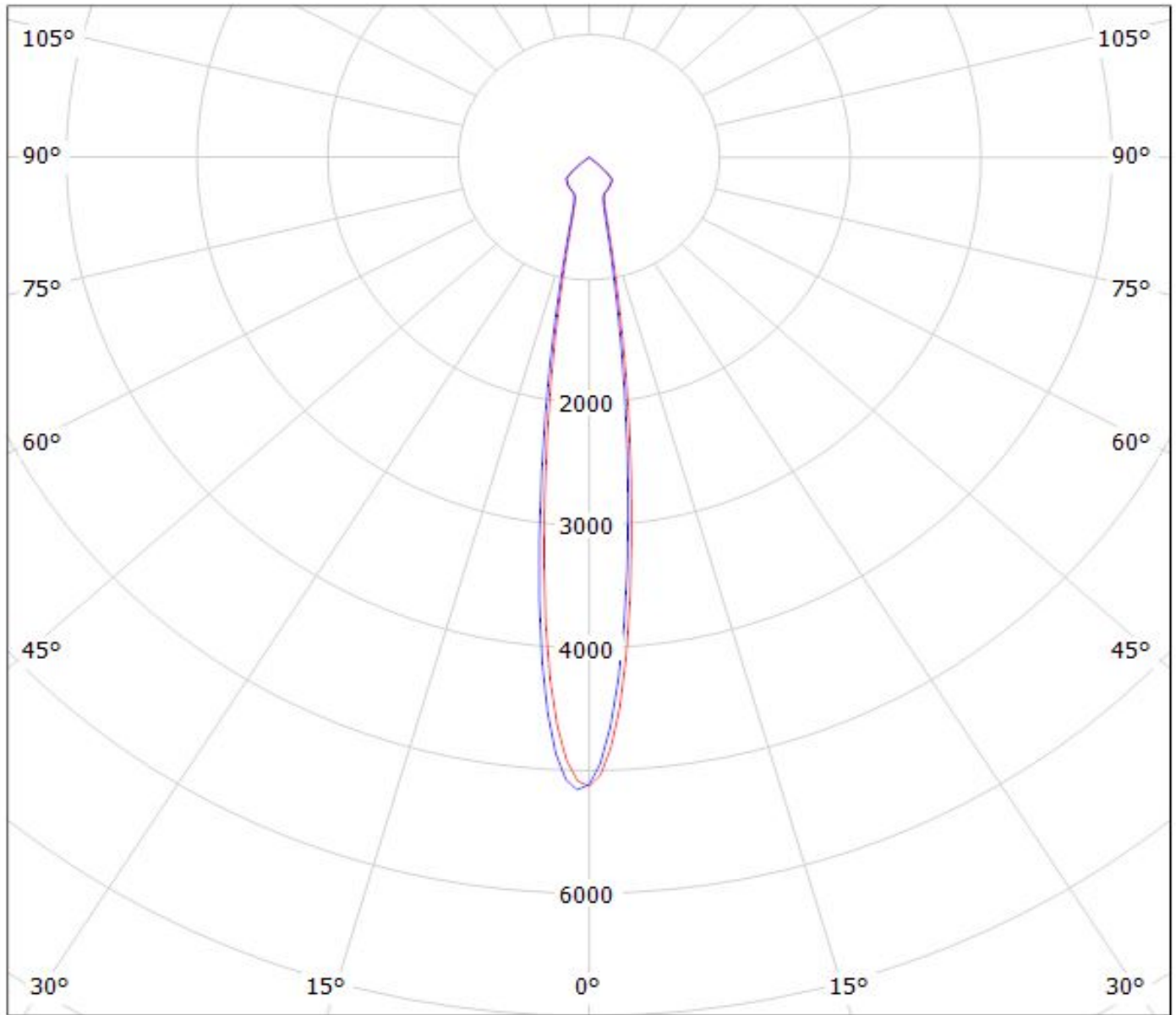
— C0 - C180

— C90 - C270

$\eta = 94\%$

Luminaire: LEDiL Oy CA11181_BROOKE-S_(V8) Eff.94%

Lamps: 1 x BRIDGELUX_V8_847.064lm@250mA_P=8.83692W_I=249.8mA



cd/klm

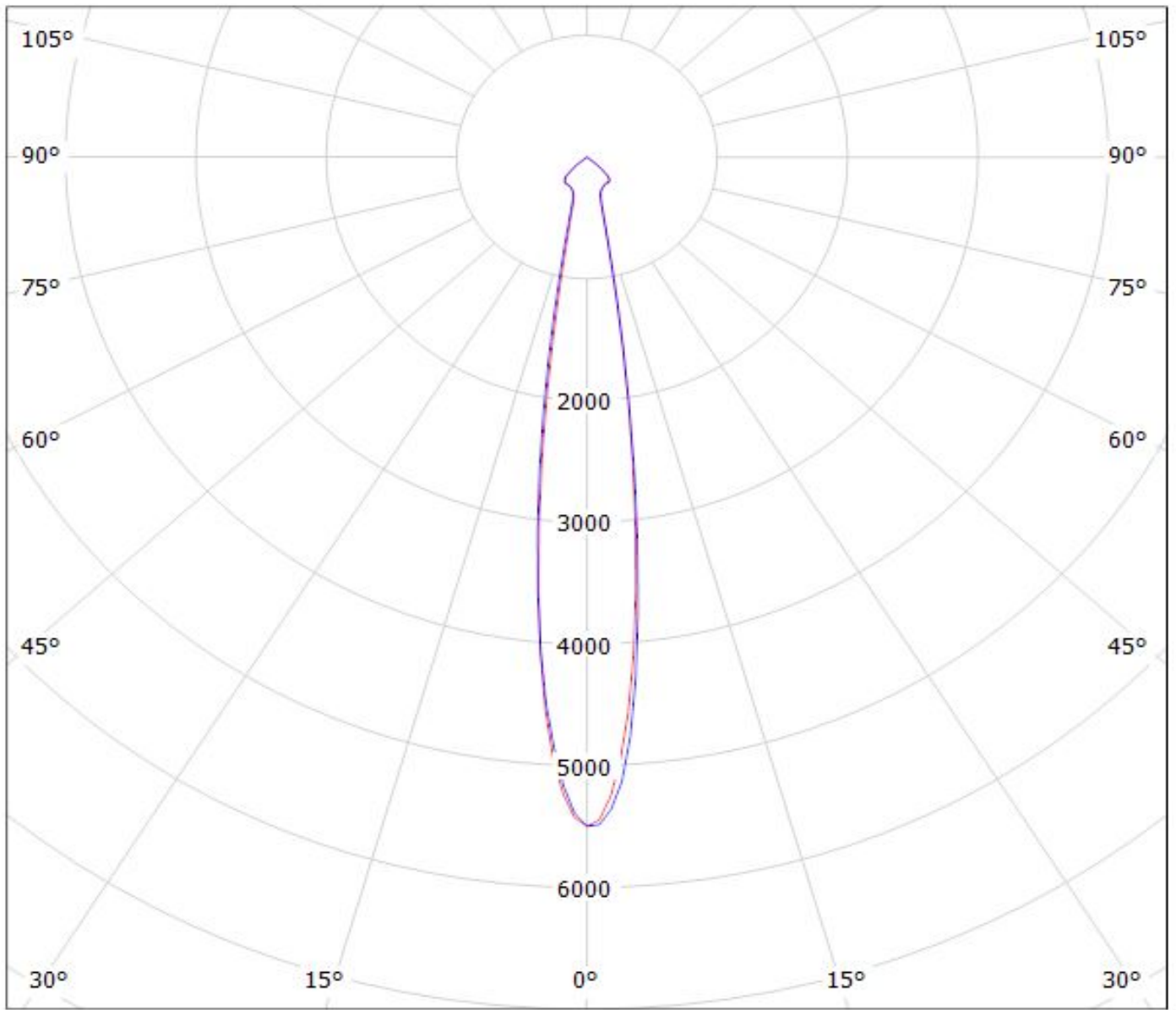
— C0 - C180

— C90 - C270

$\eta = 94\%$

Luminaire: LEDiL Oy CA11181_BROOKE-S_(XHP70)

Lamps: 1 x Cree_XHP70_261.415lm@250mA_P=1.38207W_I=249.9mA



cd/klm

$\eta = 95\%$

— C0 - C180

— C90 - C270

NOTE: The typical divergence will be changed by different color, chip size and chip position tolerance. The typical total divergence is the full angle measured where the luminous intensity is half of the peak value.

GENERAL INFORMATION

- Product series especially designed & optimized for series of LEDs.
- Special care taken to make light distribution as uniform as possible.

Note! Due to use of high power COB's with this product, special attention to proper thermal design is highly recommended. LEDiL has no liability for direct, indirect or consecutive damages arising from the LEDiL products being used outside of the recommended temperature range.