

DETAILS

Product Number	FA11948_JULIA-A
Family	Julia
Type	Assembly
Color	clear
Diameter	18,8 mm
Height	4,81 mm
Style	round
Optic Material	PMMA
Holder Material	
Fastening	tape, pin
Status	production ready
ROHS Compliant	Yes
Date Updated	13/09/2016



OPTICAL PROPERTIES

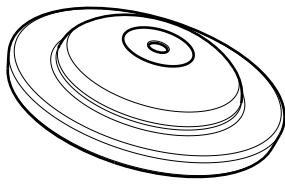
LED	Viewing Angle	Light Beam	Efficiency	cd/lm	Connector
XP-E	164 deg	Wide-Area...	90 %	0.240	-
XP-G	166 deg	Wide-Area...	90 %	0.210	-
LUXEON Rebel	154 deg	Wide-Area...	90 %	0.260	-
LUXEON Rebel ES	163 deg	Wide-Area...	90 %	0.240	-
NCSxx19A	156 deg	Wide-Area...	90 %	0.240	-
NVSxx19A	159 deg	Wide-Area...	90 %	0.240	-
Oslon SSL 80	158 deg	Wide-Area...	90 %	0.200	-
Oslon SSL 150	159 deg	Wide-Area...	90 %	0.300	-
Z5	160 deg	Wide-Area...	86 %	0.240	-

D

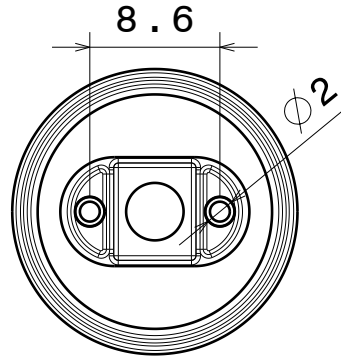
C

B

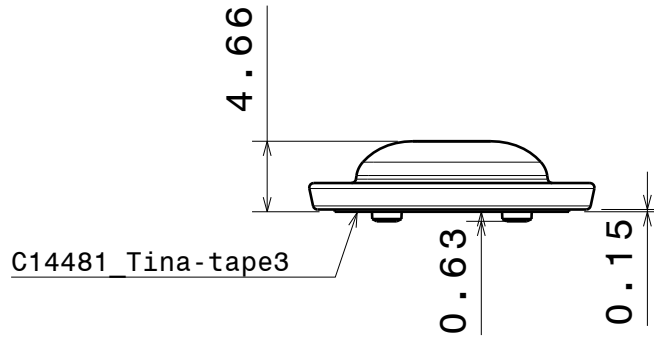
A



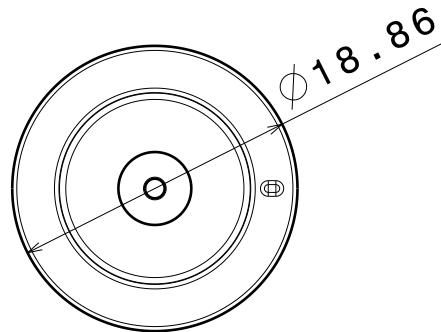
Isometric view



Bottom view



Front view



Top view

Material: PMMA

Part no.s:

Lens: F11947_Julia-A

Assembly: FA11948_Julia-A-tape

(F11947_Julia-A + C14481_Tina-tape3)

This drawing is our property.
It can't be reproduced
or communicated without
our written agreement.



Ledil Oy
Tehdaskatu 13
FIN-24100 SALO
Finland

DRAWING TITLE

Datasheet Julia-A Lens

DRAWN BY

mav

DATE

07.01.2011

CHECKED BY

tk

DATE

07.01.2011

SIZE

A4

DRAWING NUMBER

F11947

REV

1

DESIGNED BY

ol

DATE

20.12.2010

SCALE

2:1

WEIGHT (g)

SHEET

1/1

D

A

4

4

3

3

2

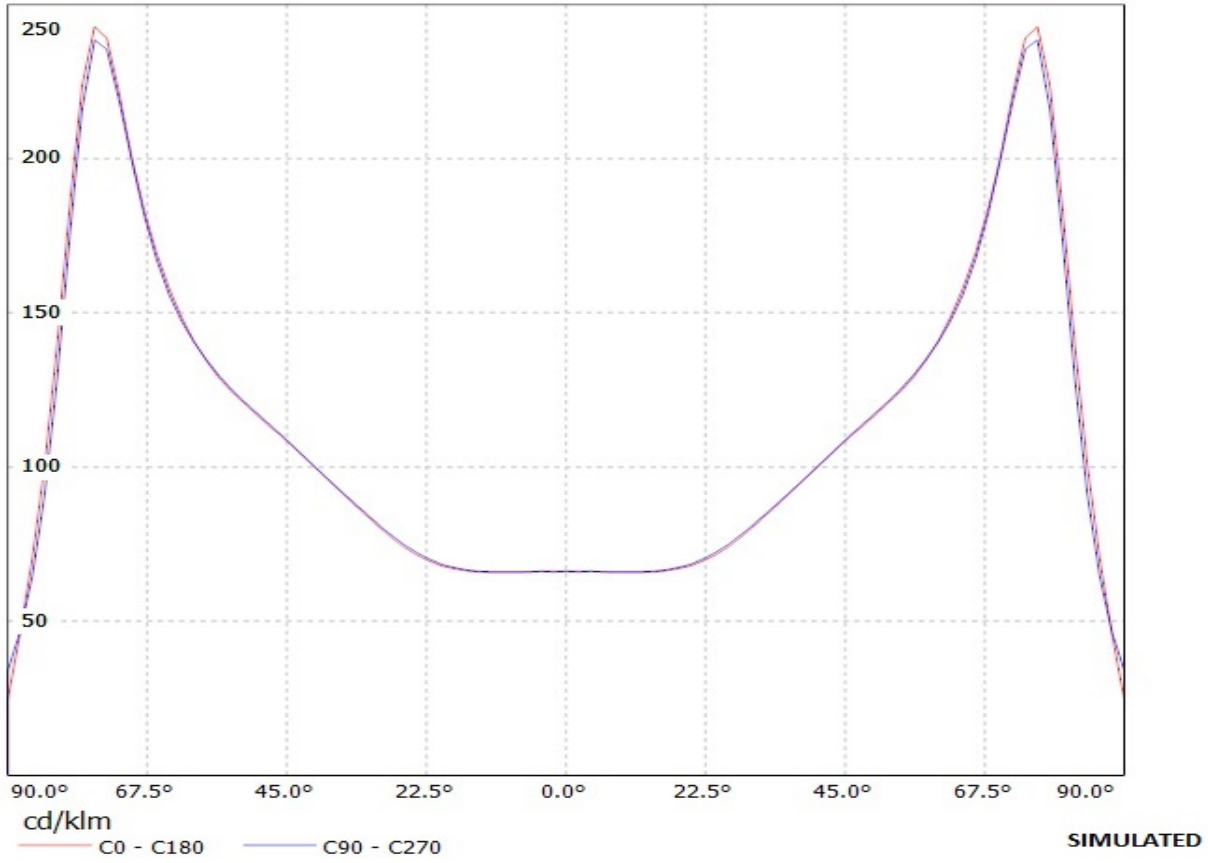
2

1

1

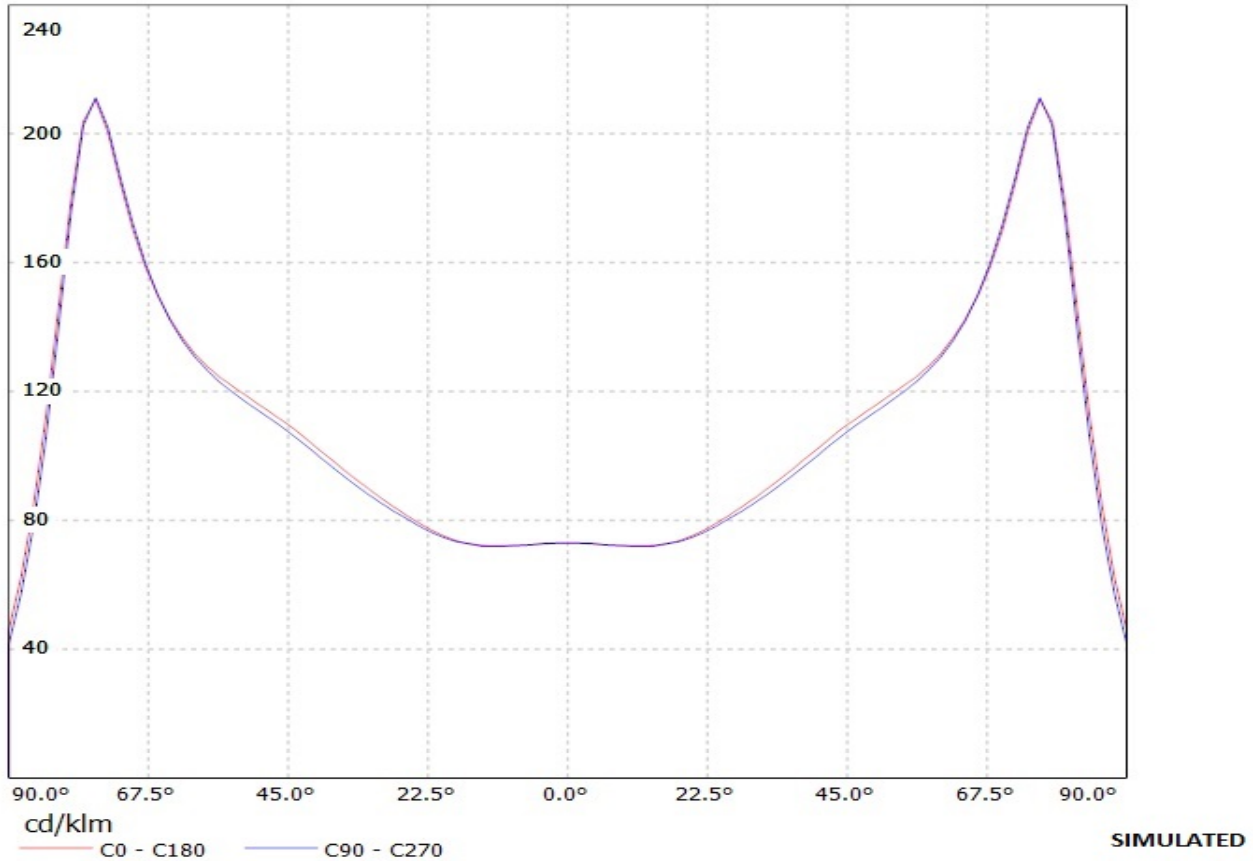
Ledil Oy F11947_Julia-A-XP F11947_Julia-A-XP / LDC (Linear)

Luminaire: Ledil Oy F11947_Julia-A-XP F11947_Julia-A-XP
Lamps: 1 x Cree XP-E (white) 74,8lm



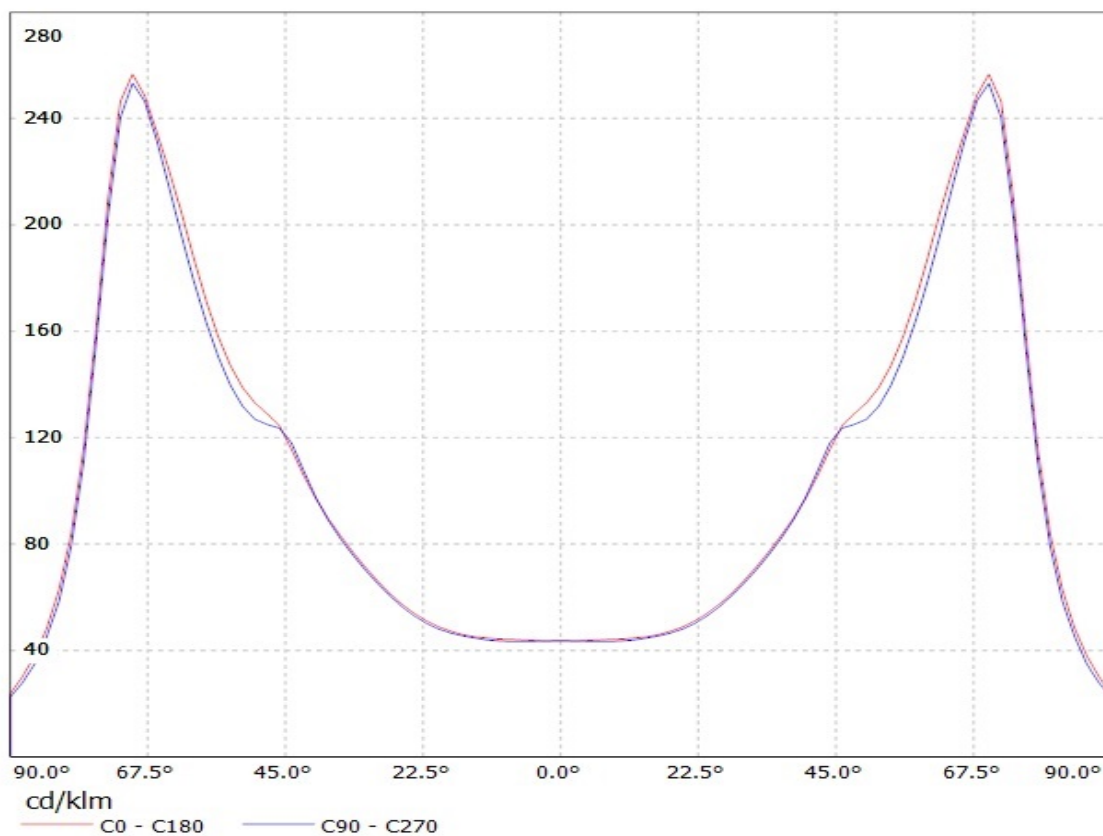
Ledil Oy F11947_Julia-A-XP-G F11947_Julia-A-XP-G / LDC (Linear)

Luminaire: Ledil Oy F11947_Julia-A-XP-G F11947_Julia-A-XP-G
Lamps: 1 x Cree XP-G (white) 89,6lm



Ledil Oy FA11948_Julia-A-RE-tape FA11948_Julia-A-RE-tape Luxeon Rebel (white) 84lm @ 250mA / LDC (Linear)

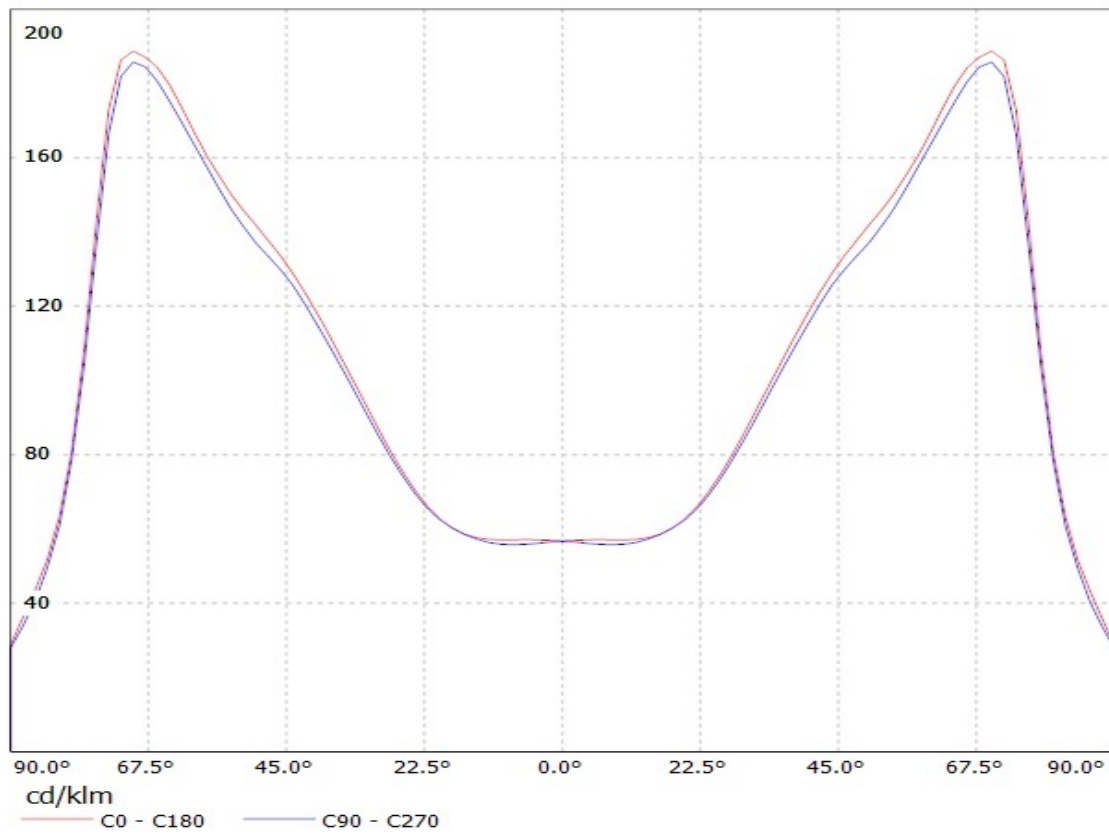
Luminaire: Ledil Oy FA11948_Julia-A-RE-tape FA11948_Julia-A-RE-tape Luxeon Rebel (white) 84lm @ 250mA
Lamps: 1 x Luxeon Rebel (white) 84lm @ 250mA



SIMULATED

Ledil Oy FA11948_Julia-A-OSL80-tape FA11948_Julia-A-OSL80-tape Osram Oslon SSL80 85lm @ 250mA / LDC (Linear)

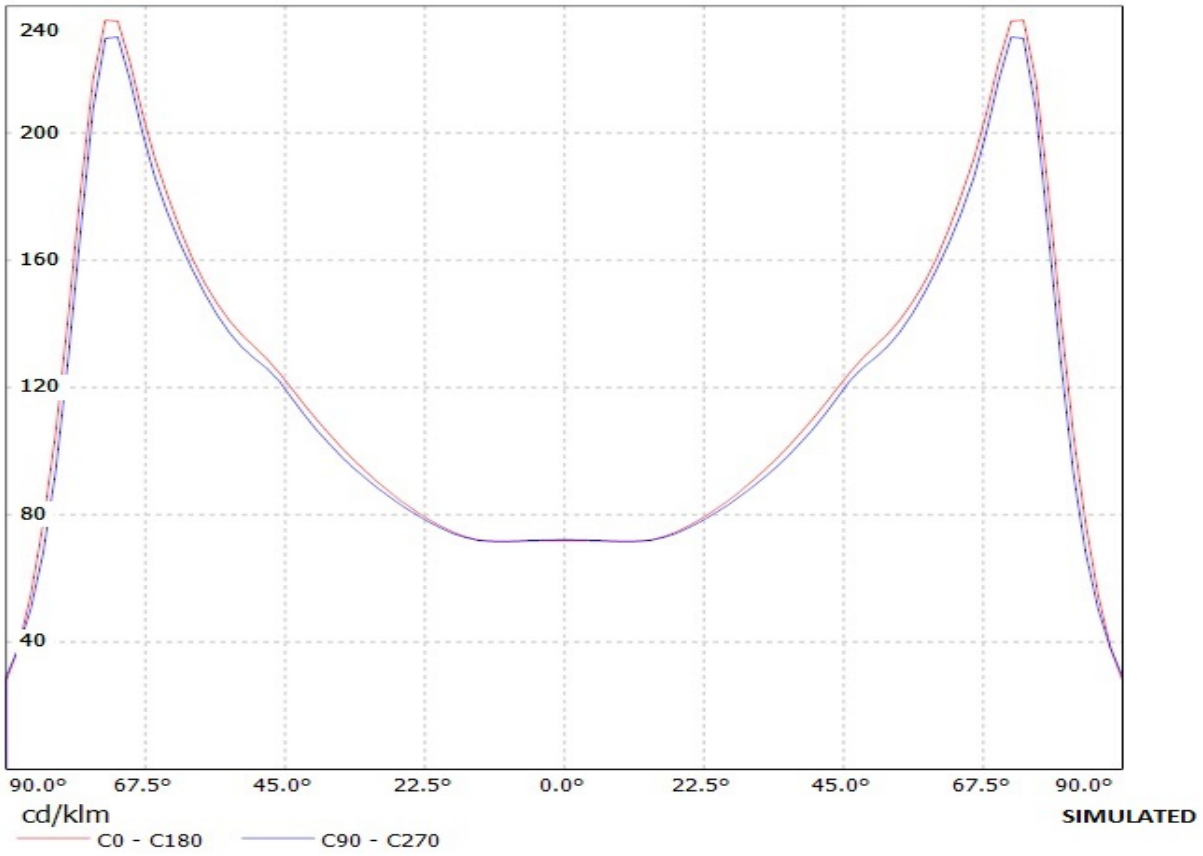
Luminaire: Ledil Oy FA11948_Julia-A-OSL80-tape FA11948_Julia-A-OSL80-tape Osram Oslon SSL80 85lm @ 250mA
Lamps: 1 x Osram Oslon SSL80 85lm @ 250mA



SIMULATED

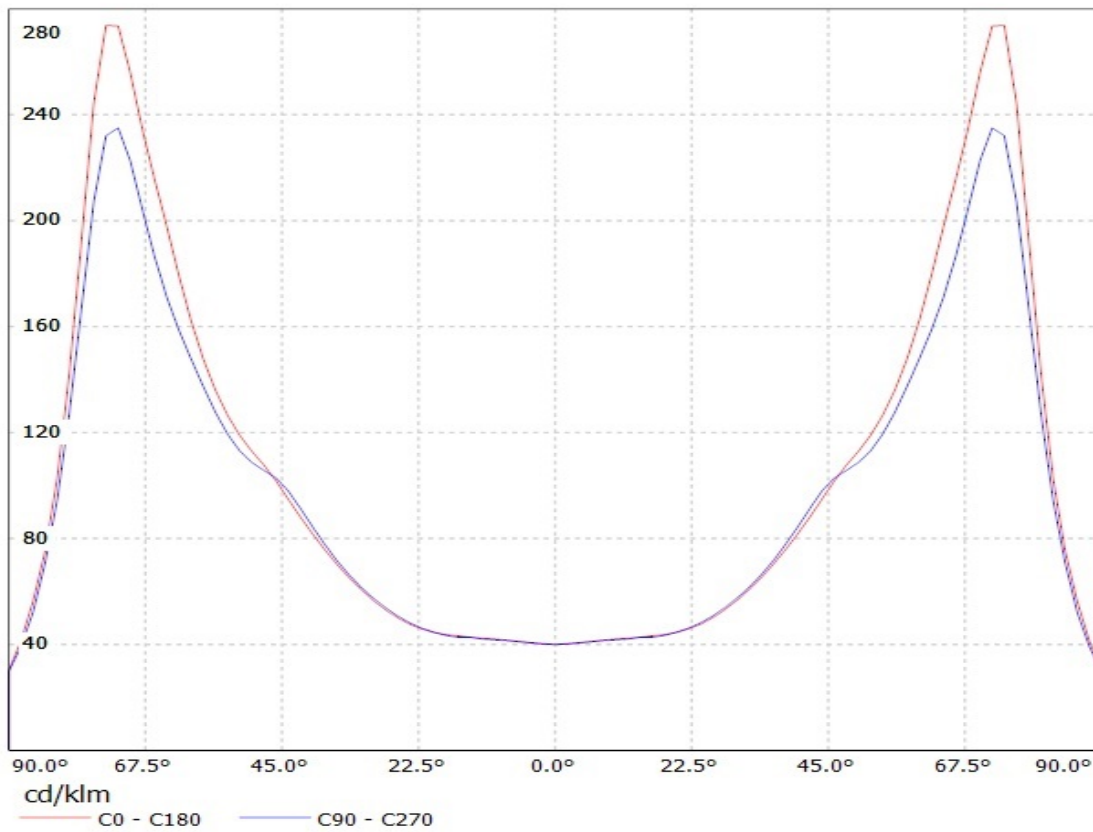
Ledil Oy F11947_Julia-A-RE-ES F11947_Julia-A-RE-ES / LDC (Linear)

Luminaire: Ledil Oy F11947_Julia-A-RE-ES F11947_Julia-A-RE-ES
Lamps: 1 x Luxeon Rebel-ES



Ledil Oy FA11948_Julia-A-Z5-tape FA11948_Julia-A-Z5-tape Seoul Z5 (white) 73lm @ 250mA
LOR=86% / LDC (Linear)

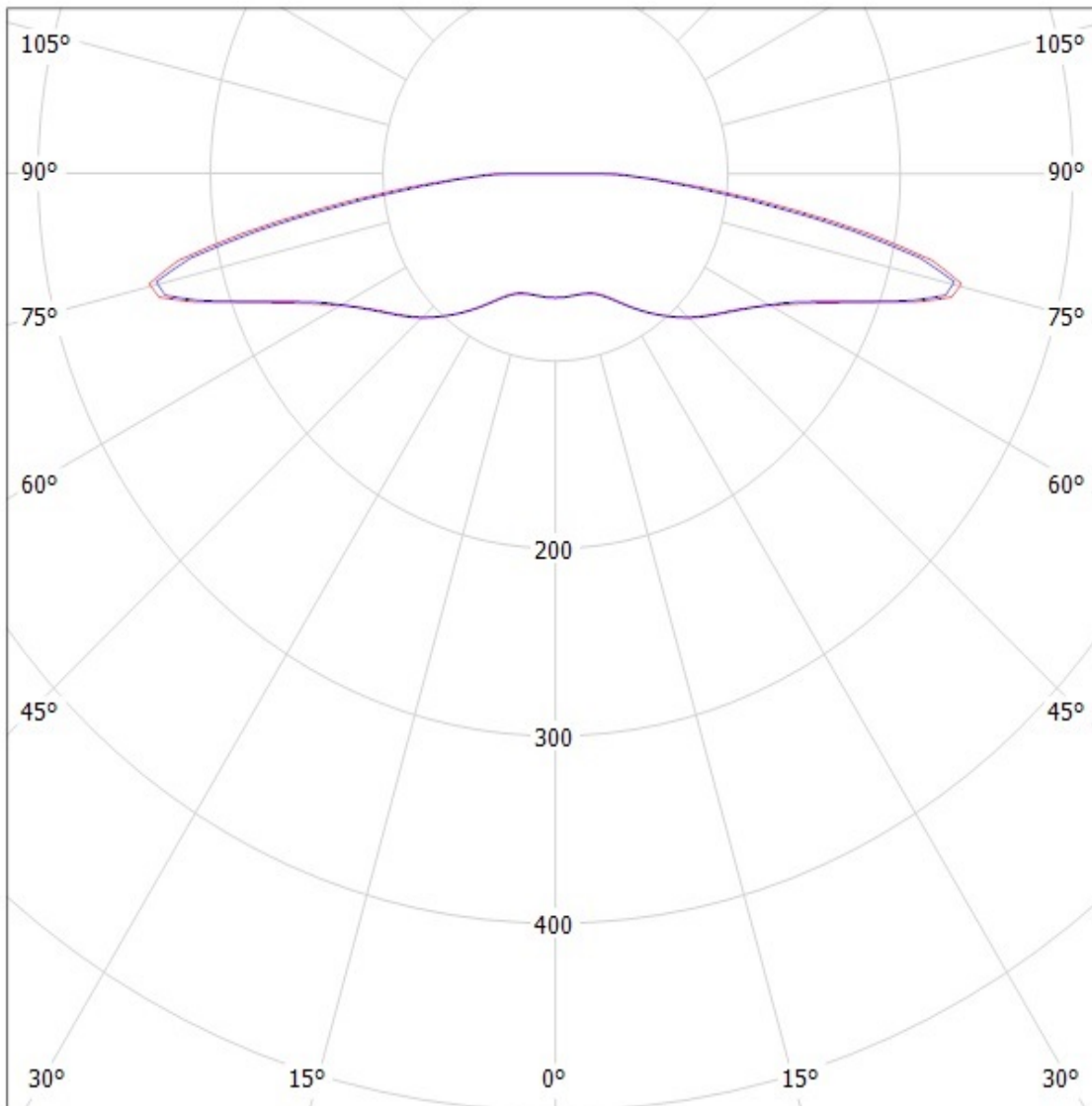
Luminaire: Ledil Oy FA11948_Julia-A-Z5-tape FA11948_Julia-A-Z5-tape Seoul Z5 (white) 73lm @ 250mA LOR=86%
Lamps: 1 x Seoul Z5 (white) 73lm @ 250mA



SIMULATED

Ledil Oy F11947_Julia-A-XP F11947_Julia-A-XP / LDC (Polar)

Luminaire: Ledil Oy F11947_Julia-A-XP F11947_Julia-A-XP
Lamps: 1 x Cree XP-E (white) 74,8lm



cd/klm

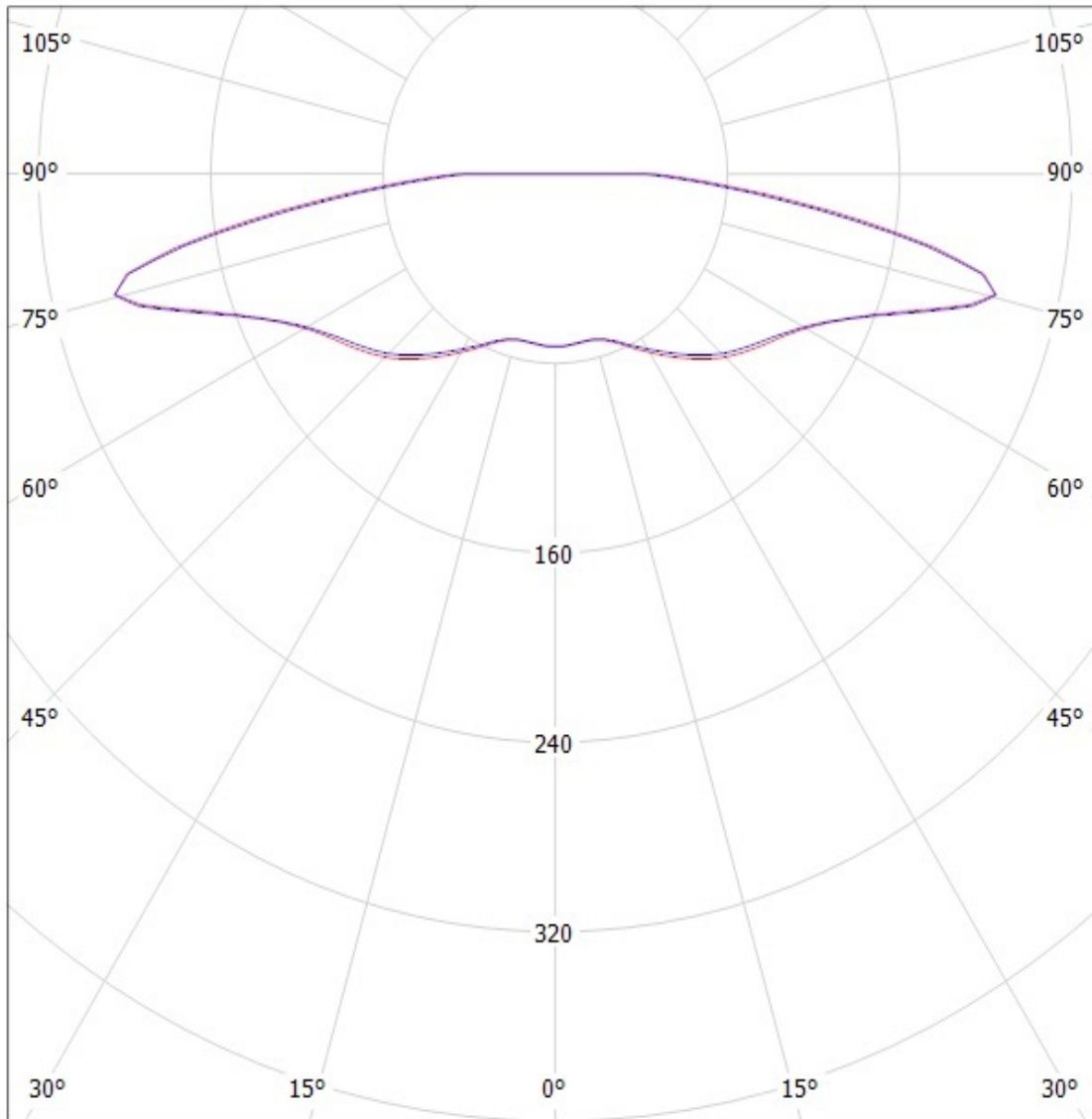
— C0 - C180 — C90 - C270

SIMULATED

Ledil Oy F11947_Julia-A-XP-G F11947_Julia-A-XP-G / LDC (Polar)

Luminaire: Ledil Oy F11947_Julia-A-XP-G F11947_Julia-A-XP-G

Lamps: 1 x Cree XP-G (white) 89,6lm



cd/klm

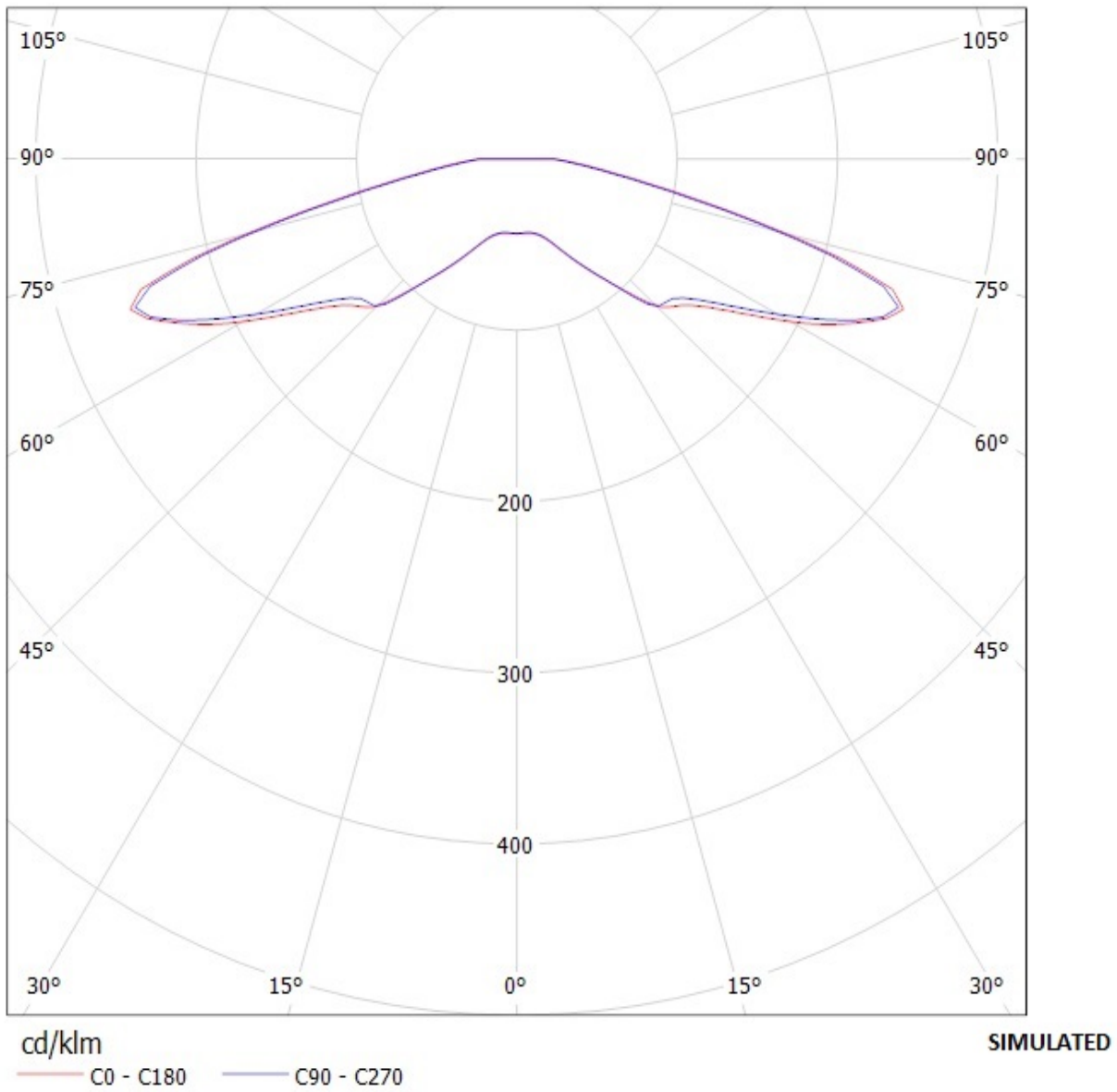
— C0 - C180

— C90 - C270

SIMULATED

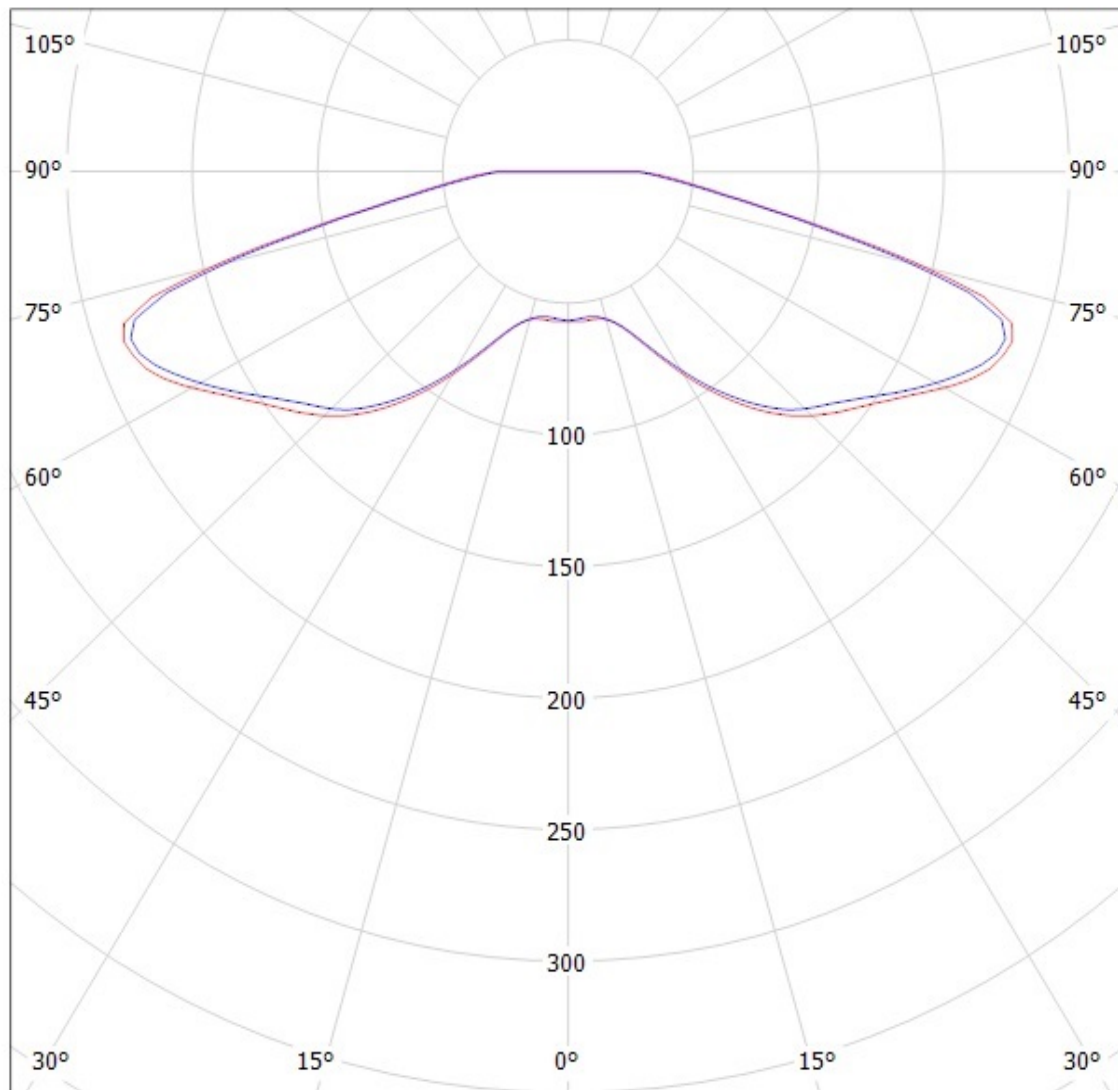
Ledil Oy FA11948_Julia-A-RE-tape FA11948_Julia-A-RE-tape Luxeon Rebel (white) 84lm @ 250mA / LDC (Polar)

Luminaire: Ledil Oy FA11948_Julia-A-RE-tape FA11948_Julia-A-RE-tape Luxeon Rebel (white) 84lm @ 250mA
Lamps: 1 x Luxeon Rebel (white) 84lm @ 250mA



Ledil Oy FA11948_Julia-A-OSL80-tape FA11948_Julia-A-OSL80-tape Osram Oslon SSL80 85lm @ 250mA / LDC (Polar)

Luminaire: Ledil Oy FA11948_Julia-A-OSL80-tape FA11948_Julia-A-OSL80-tape Osram Oslon SSL80 85lm @ 250mA
Lamps: 1 x Osram Oslon SSL80 85lm @ 250mA



cd/klm

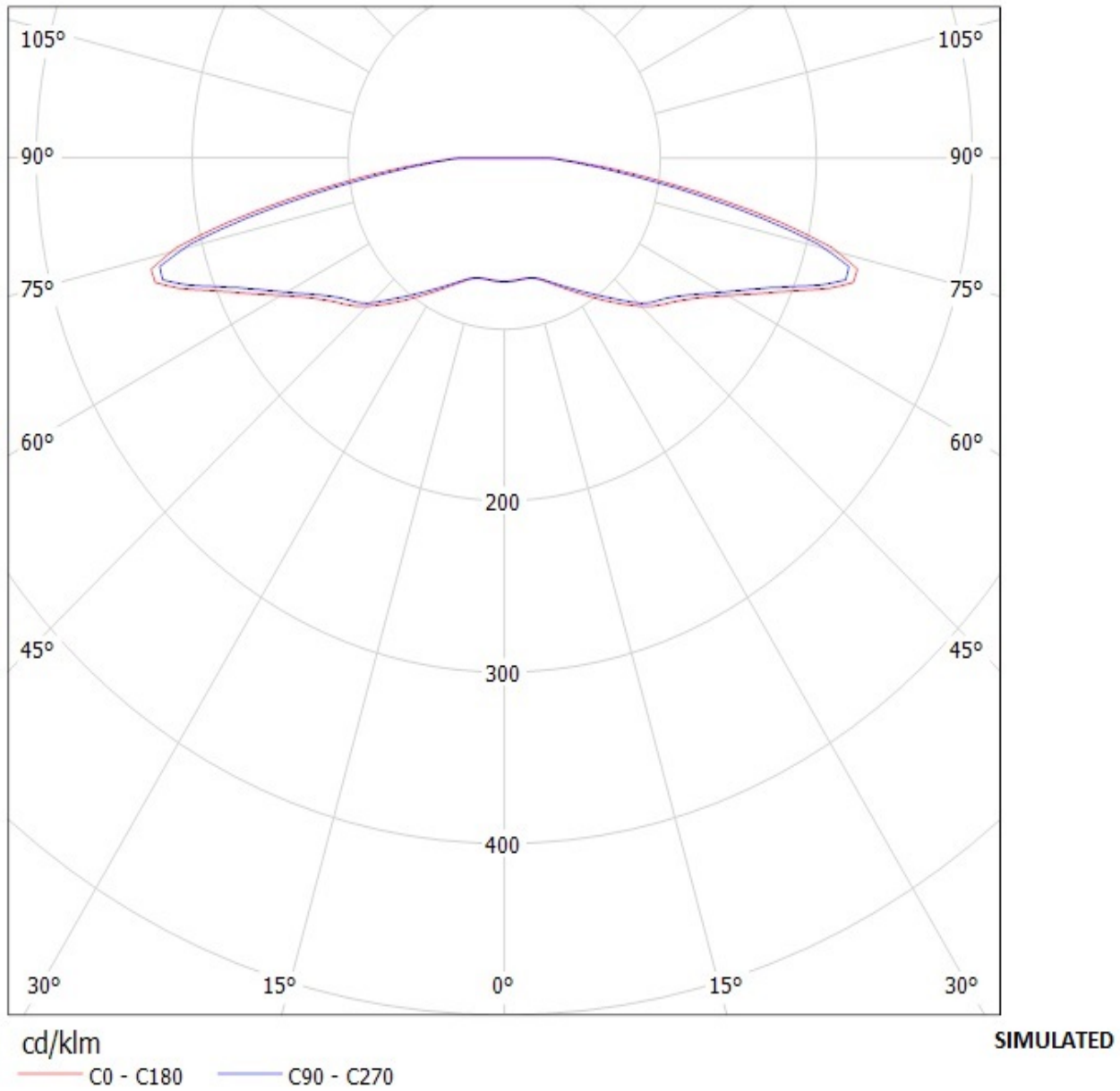
— C0 - C180

— C90 - C270

SIMULATED

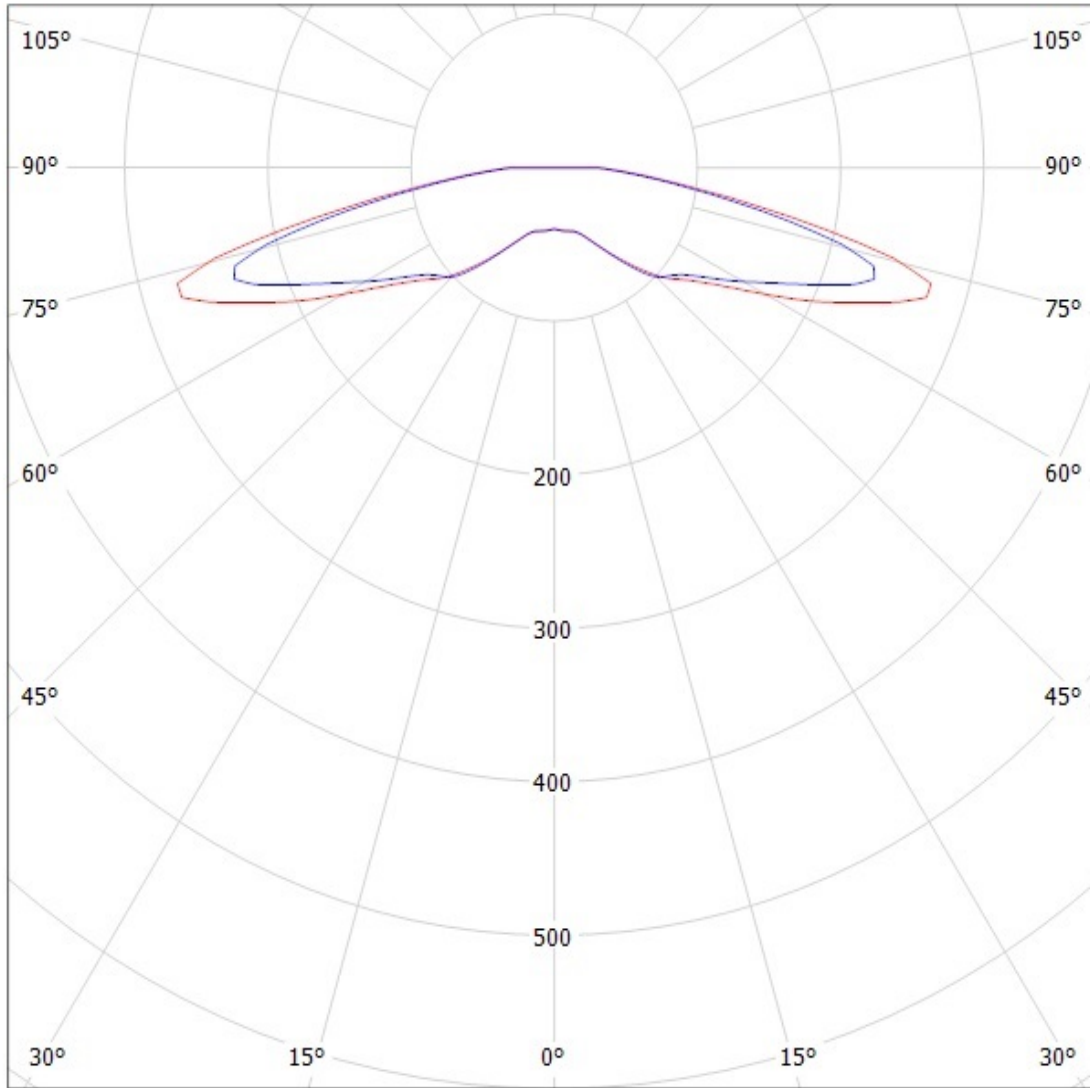
Ledil Oy F11947_Julia-A-RE-ES F11947_Julia-A-RE-ES / LDC (Polar)

Luminaire: Ledil Oy F11947_Julia-A-RE-ES F11947_Julia-A-RE-ES
Lamps: 1 x Luxeon Rebel-ES



Ledil Oy FA11948_Julia-A-Z5-tape FA11948_Julia-A-Z5-tape Seoul Z5 (white) 73lm @ 250mA
LOR=86% / LDC (Polar)

Luminaire: Ledil Oy FA11948_Julia-A-Z5-tape FA11948_Julia-A-Z5-tape Seoul Z5 (white) 73lm @ 250mA LOR=86%
Lamps: 1 x Seoul Z5 (white) 73lm @ 250mA



cd/klm

— C0 - C180 — C90 - C270

SIMULATED

NOTE: The typical divergence will be changed by different color, chip size and chip position tolerance. The typical total divergence is the full angle measured where the luminous intensity is half of the peak value.