

DETAILS

Product Number	CA13473_STRADA-B2
Family	Strada
Type	Assembly
Color	clear
Diameter	19,6 + 15,5 mm
Height	5,2 mm
Style	rectang
Optic Material	PMMA
Holder Material	
Fastening	tape, pin
Status	production ready
ROHS Compliant	Yes
Date Updated	16/12/2016



OPTICAL PROPERTIES

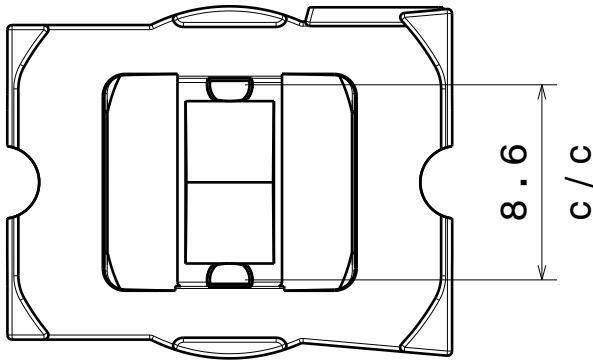
LED	Viewing Angle	Light Beam	Efficiency	cd/lm	Connector
XT-E	119+40 deg	Streetligh...	94 %	0.600	-
XP-G2	sim: Asymmetri	Streetligh...	sim: 94 %	sim: 0.770	-
LH351Z	116+42 deg	Streetligh...	89 %	0.590	-

D

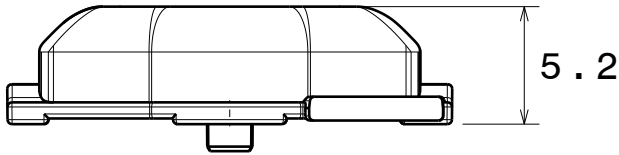
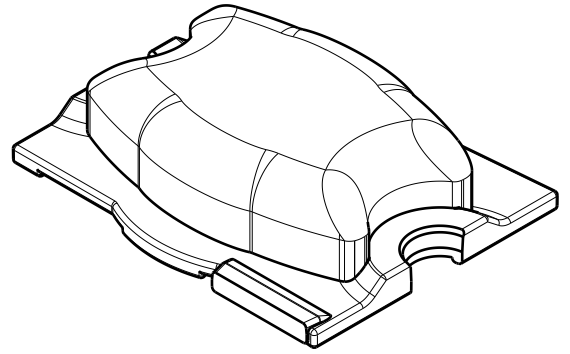
C

B

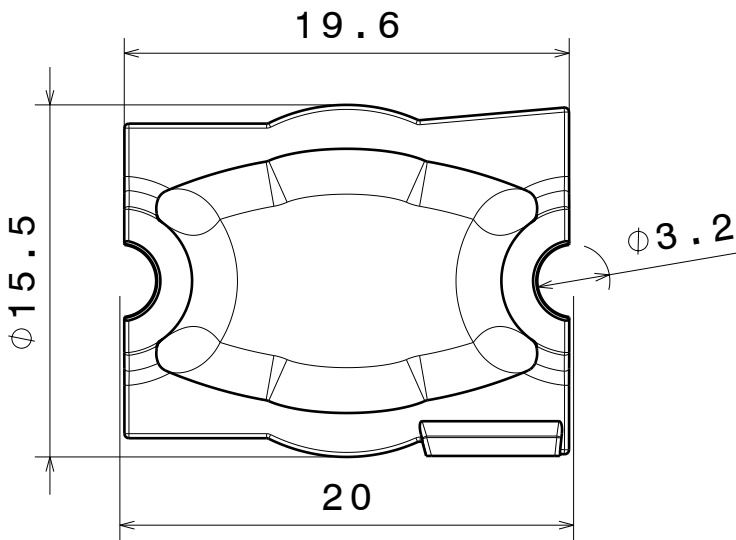
A



Bottom view



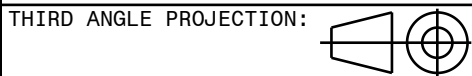
Front view



Top view

Tolerances if not otherwise shown
 According to DIN ISO 2768-1
 Linear measures:
 Up to 30mm class M, otherwise class C.
 According to DIN ISO 2768-2
 Form and position: class L

LEDiL Ledil Oy
 Salorankatu 10
 FIN 24240 SALO
 Finland



THIRD ANGLE PROJECTION:
DRAWING TITLE
STRADA-B2 Mechanical drawing

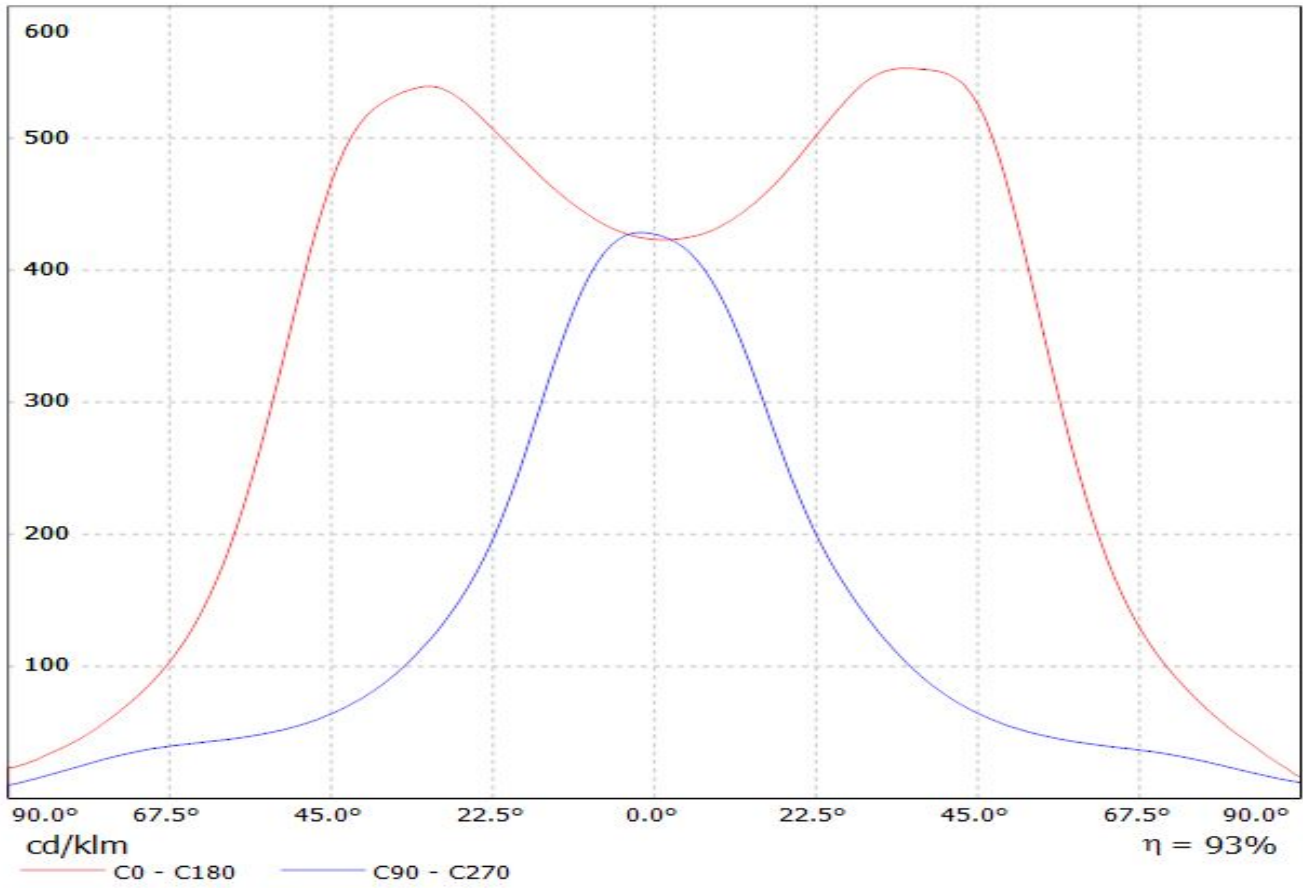
This drawing is the property
 of LEDiL Oy. It may not be
 reproduced, copied or
 communicated without a written
 agreement with LEDiL Oy."

SIZE	PART NUMBER		
A4	-		
SCALE	3:1	WEIGHT	-
		SHEET	1/1

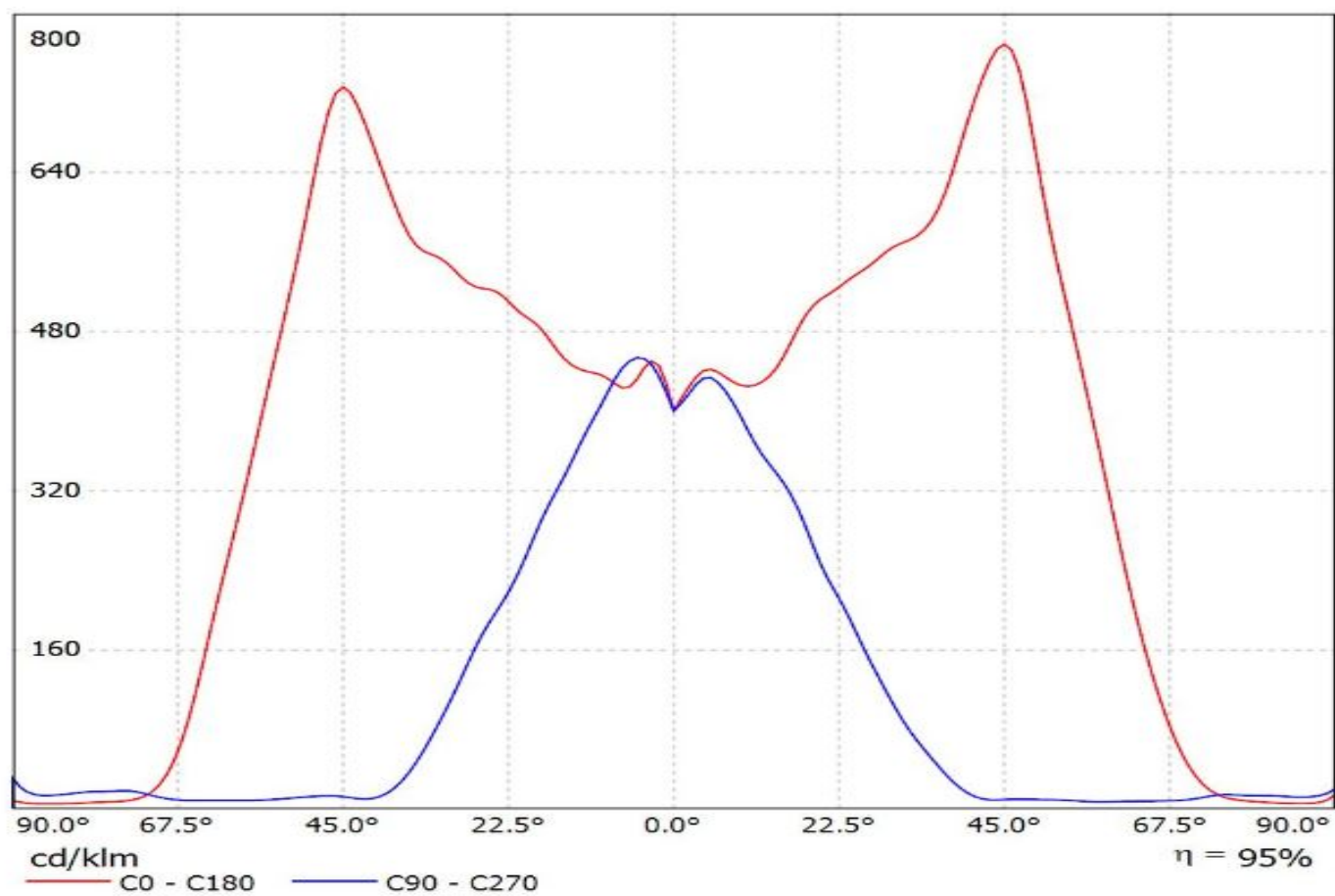
D

A

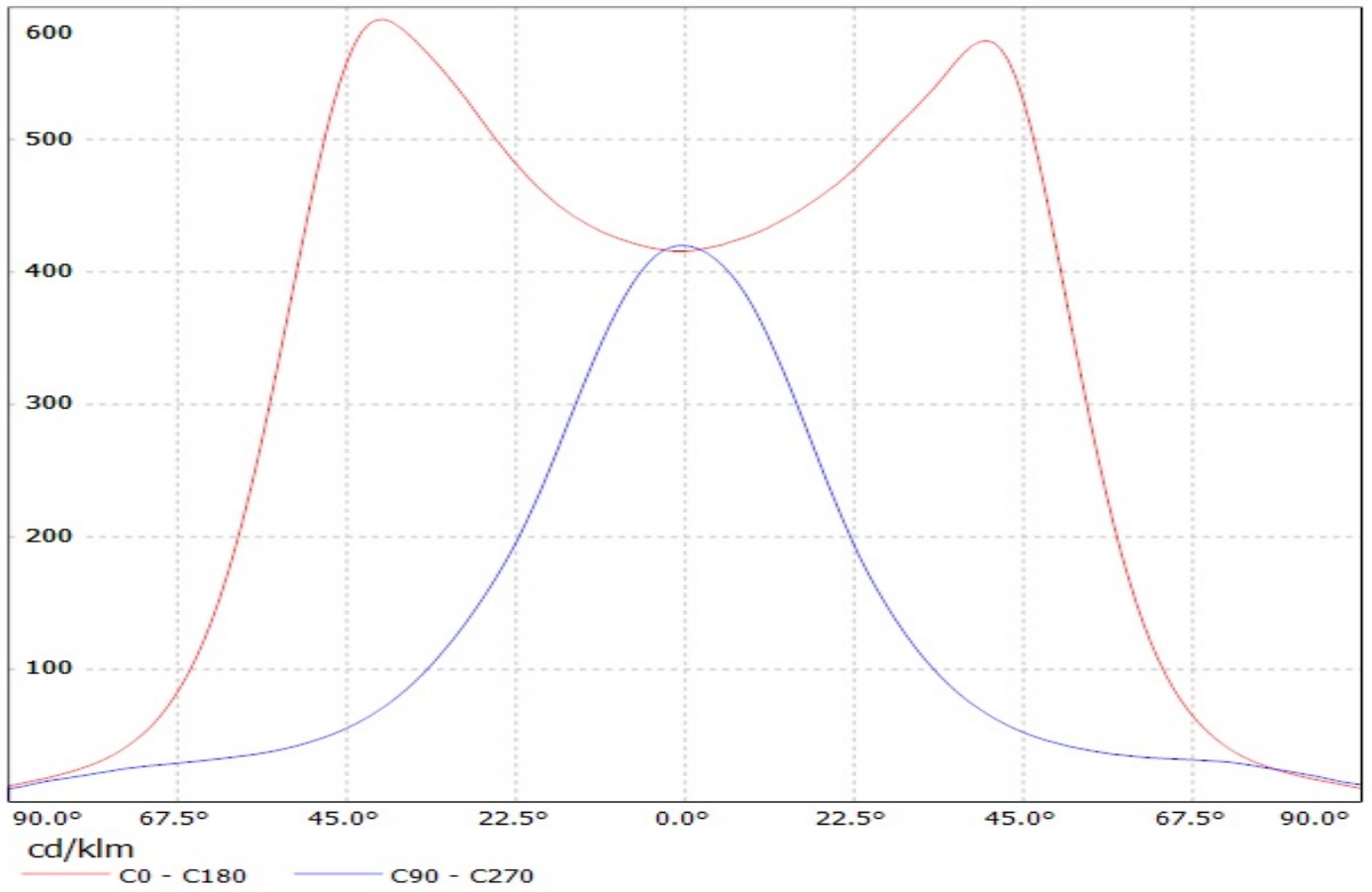
Luminaire: LEDiL Oy CA13473_STRADA-B2_(XT-E) Eff.94%
Lamps: 1 x CREE_XT-E 104.234lm@250mA CCT=4425K P=0,770367W I=249.9mA



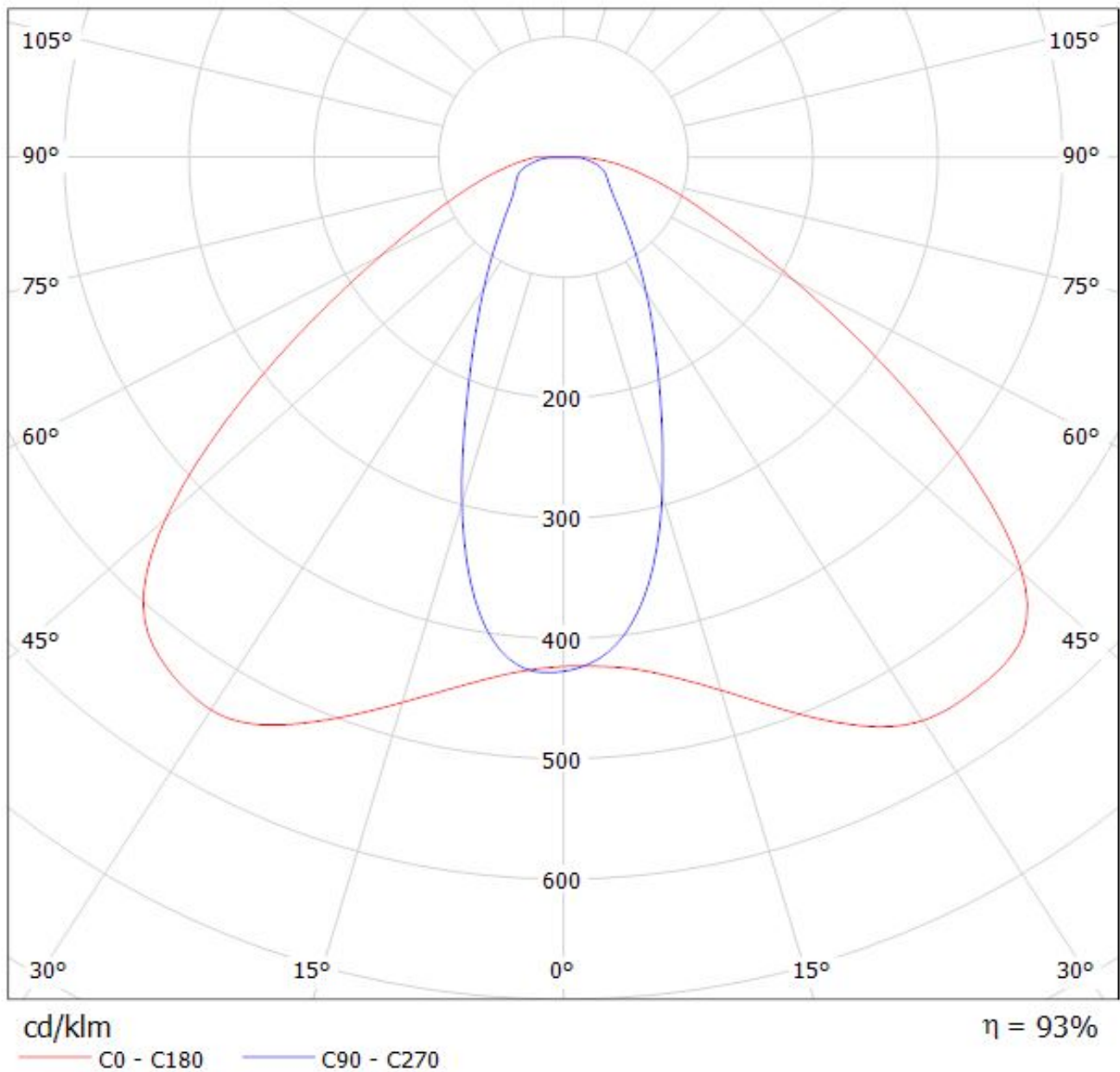
Luminaire: Ledil Oy CA13473_STRADA-B2_CREE_XP-G2_SIMULATED
Lamps: 1 x CREE XP-G2



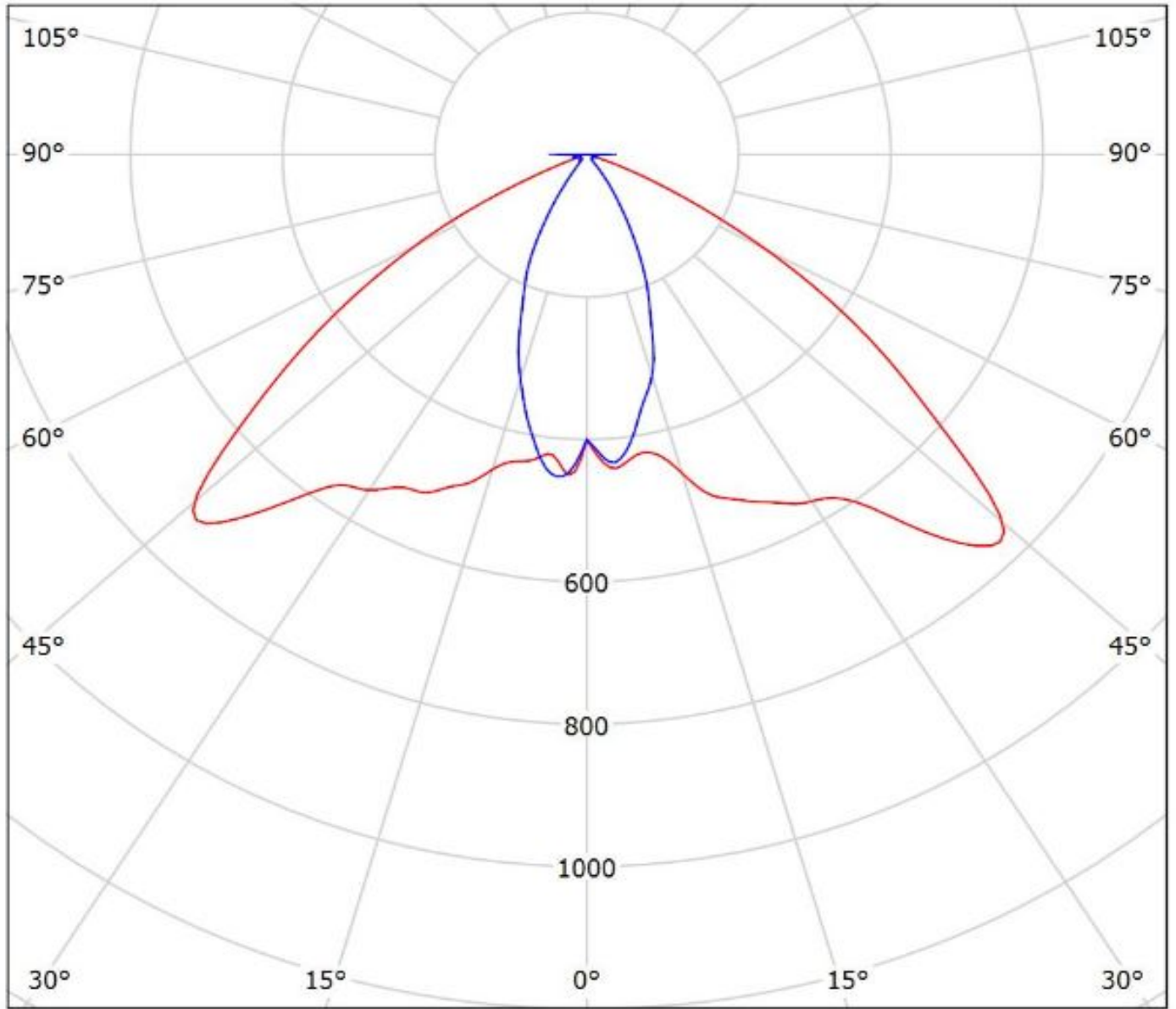
Luminaire: LEDiL Oy CA13473_STRADA-B2_(LH351Z) Eff.88.8%
Lamps: 1 x SAMSUNG_LH351Z_90.238lm@250mA_P=0.747026W_I=249.9mA



Luminaire: LEDiL Oy CA13473_STRADA-B2_(XT-E) Eff.94%
Lamps: 1 x CREE_XT-E 104.234lm@250mA CCT=4425K P=0,770367W I=249.9mA



Luminaire: Ledil Oy CA13473_STRADA-B2_CREE_XP-G2_SIMULATED
Lamps: 1 x CREE XP-G2

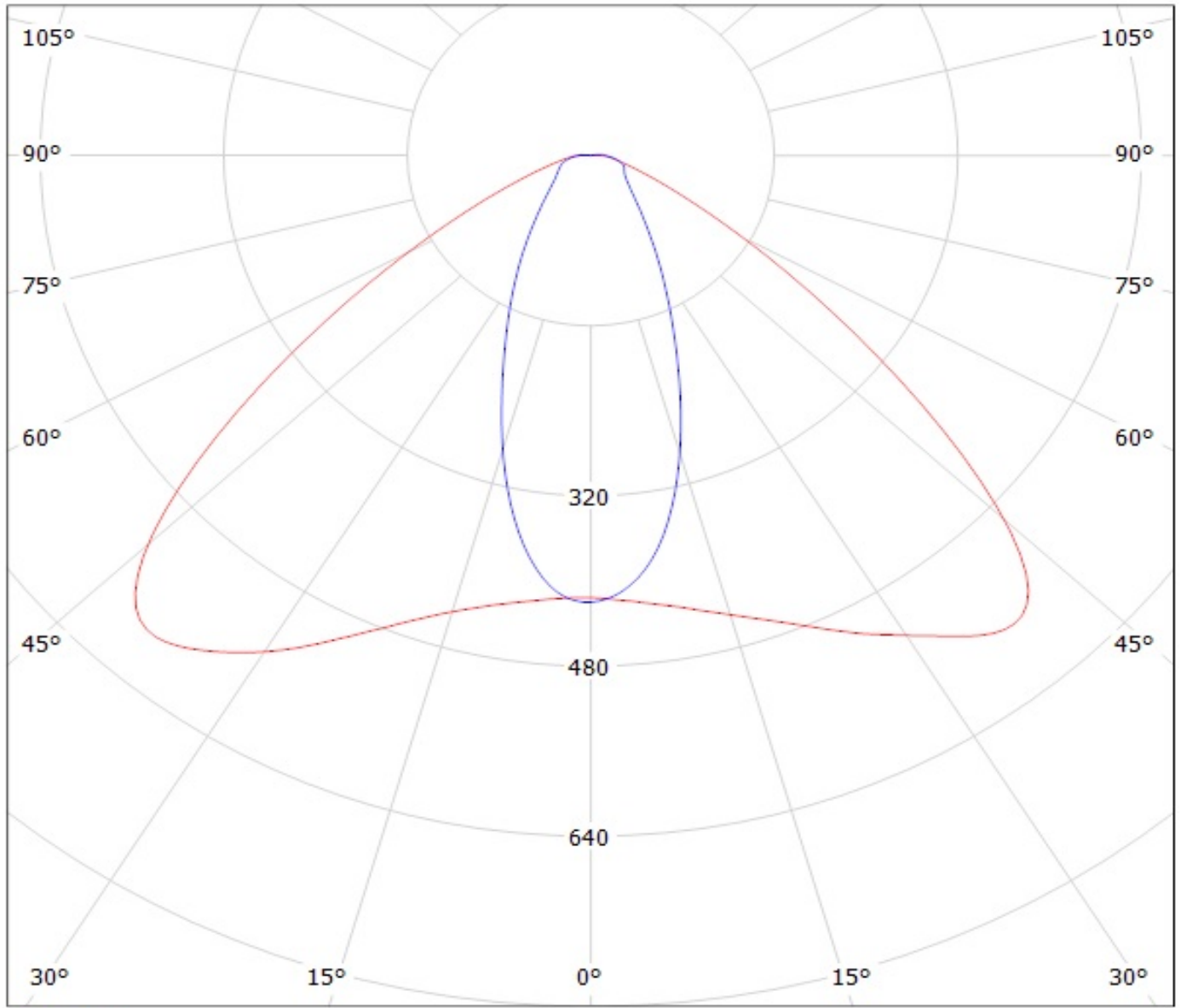


cd/klm

— C0 - C180 — C90 - C270

$\eta = 95\%$

Luminaire: LEDiL Oy CA13473_STRADA-B2_(LH351Z) Eff.88.8%
Lamps: 1 x SAMSUNG_LH351Z_90.238lm@250mA_P=0.747026W_I=249.9mA



cd/klm

— C0 - C180 — C90 - C270

NOTE: The typical divergence will be changed by different color, chip size and chip position tolerance. The typical total divergence is the full angle measured where the luminous intensity is half of the peak value.