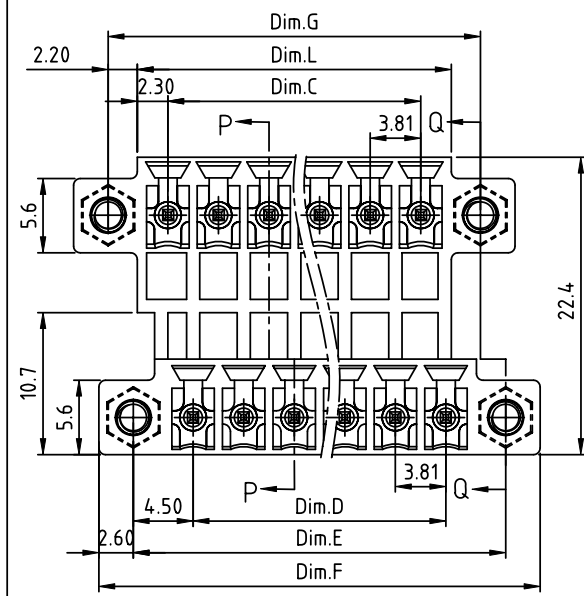
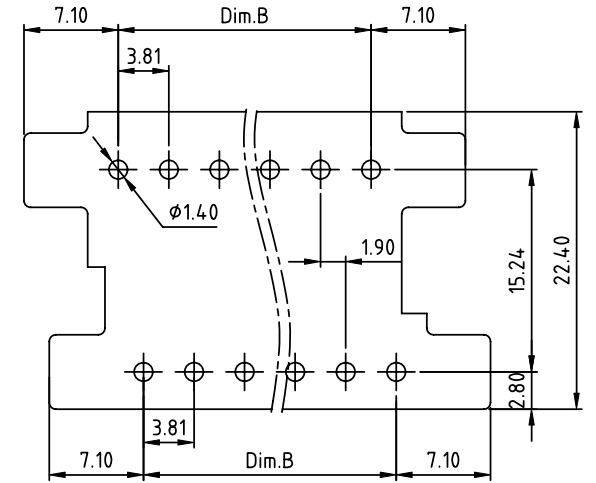


PRODUCT NUMBER	PITCH
VFxx32x000J0G	3.81 mm

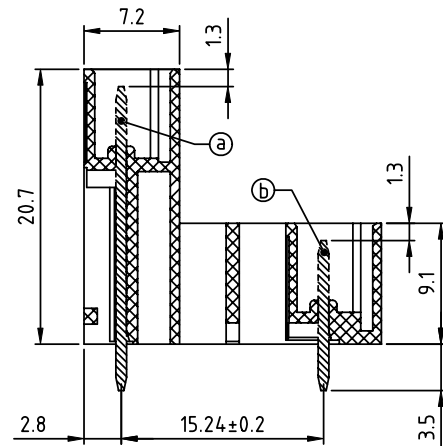
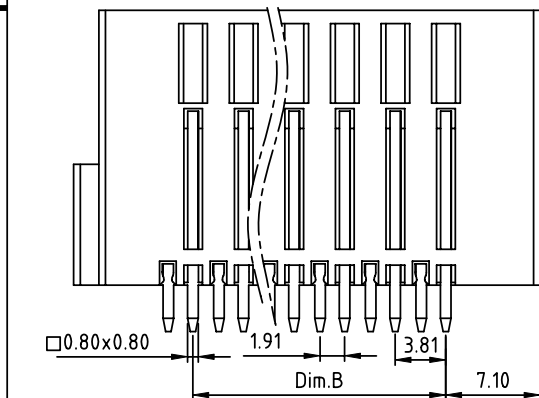


PART NO.: VF xx 3 2 x 0 00J0 G

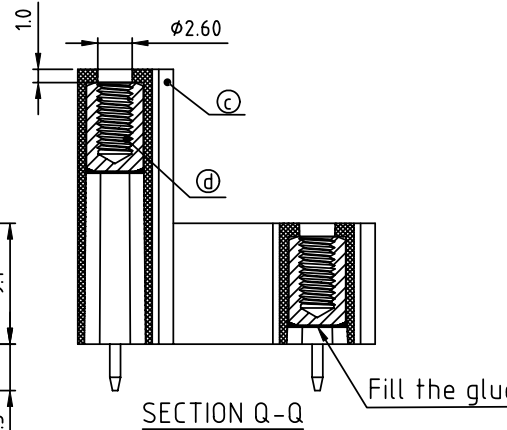
- | | | | |
|--------------|-----------|-----------------|---|
| Solid block | 0 | Black (RAL9005) | RoHS compliant (lead<4%)
In copper Alloy |
| No. of poles | 2 | Red (RAL3001/D) | |
| 04 | 2x2poles | 3 | Orange(RAL2011/P) |
| 06 | 2x3poles | 4 | Yellow(RAL1018/A) |
| ... | ... | 5 | Green(RAL6018/T) |
| 48 | 2x24poles | 6 | Blue (RAL5015/A) |
| | | 8 | Grey(RAL7035/D) |
| | | 9 | White(RAL1102) |
| | | C | Green(RAL6018/U) |



RECOMMENDED P.C.B LAYOUT
TOP VIEW



SECTION P-P



SECTION Q-Q

Material:

- Item ③ Long pin: Copper, Tin plated
- Item ④ Short pin: Copper, Tin plated
- Item ① Terminal (housing): Thermoplastic (UL94V-0)
- Item ② With flange nut: Brass, M2.5

Electrical cULus

- Voltage rating: 300VAC
- Current rating: 10A
- Withstanding Voltage: 1.6KV
- Operating temperature: -40°C to +115°C
- Soldering temperature: 260°C±5°C/5 Sec
- Safety Approval:

Dimension

Dim.L	(N/2-1) x 3.81+4.60
Dim.B	(N/2-1) x 3.81
Dim.C	(N/2-1) x 3.81
Dim.D	(N/2-1) x 3.81
Dim.E	(N/2-1) x 3.81+9.00
Dim.F	(N/2-1) x 3.81+14.20
Dim.G	(N/2-1) x 3.81+9.00

N=number of poles

Poles	Tolerance
2x2P-2x5P	±0.15
2x6P-2x10P	±0.20
2x11P-2x13P	±0.25
2x14P-2x16P	±0.30

mat'l. code		surface ASME Y14.5	tolerance ASME Y14.5	projection	product family TERMINAL BLOCK
ltr	ecn no	dr	date	 MM scale	title TERMINAL BLOCK
					PLUGGABLE SOCKET, WITH FLANGE, VERTICAL
					dwg no VFxx32x000J0G
					sheet 1 of 1
					size A4
					type CUSTOMER Drawing
sheet index	revision sheet	A	1		