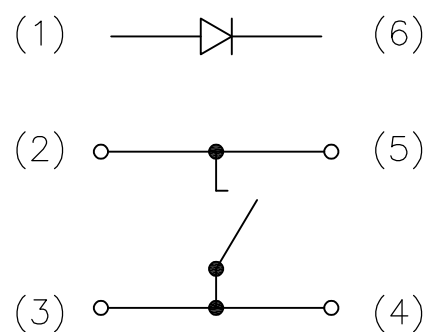
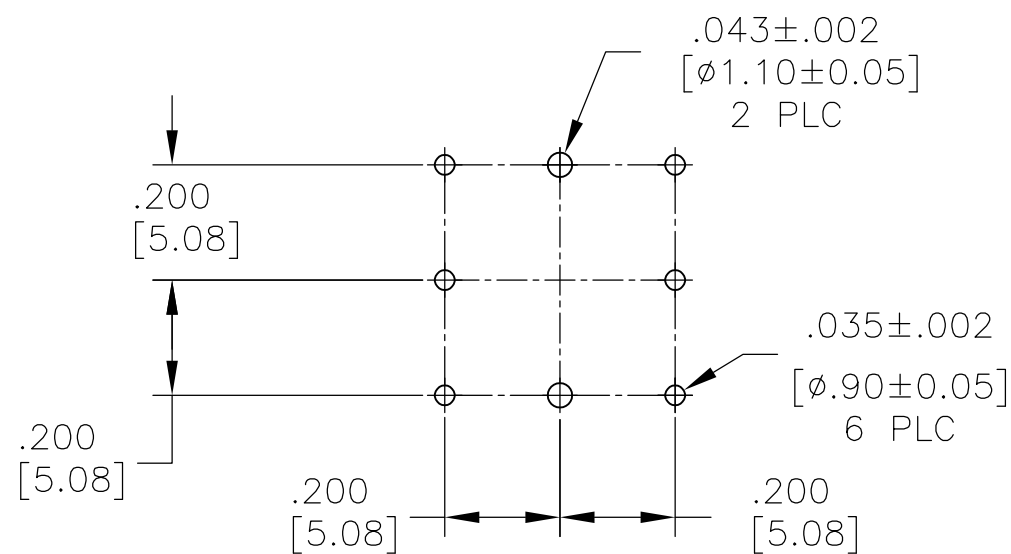
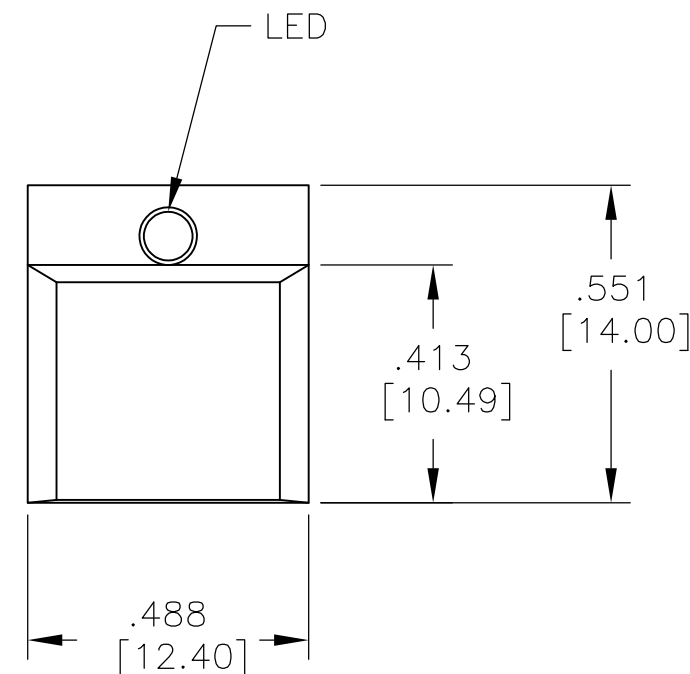
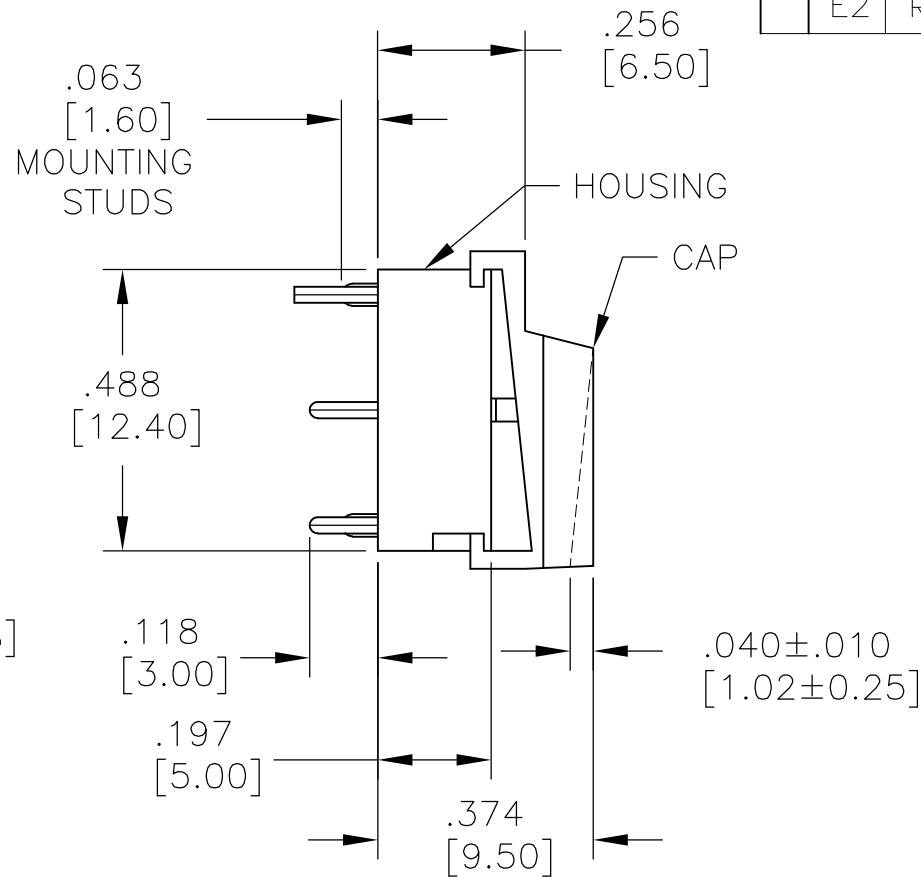
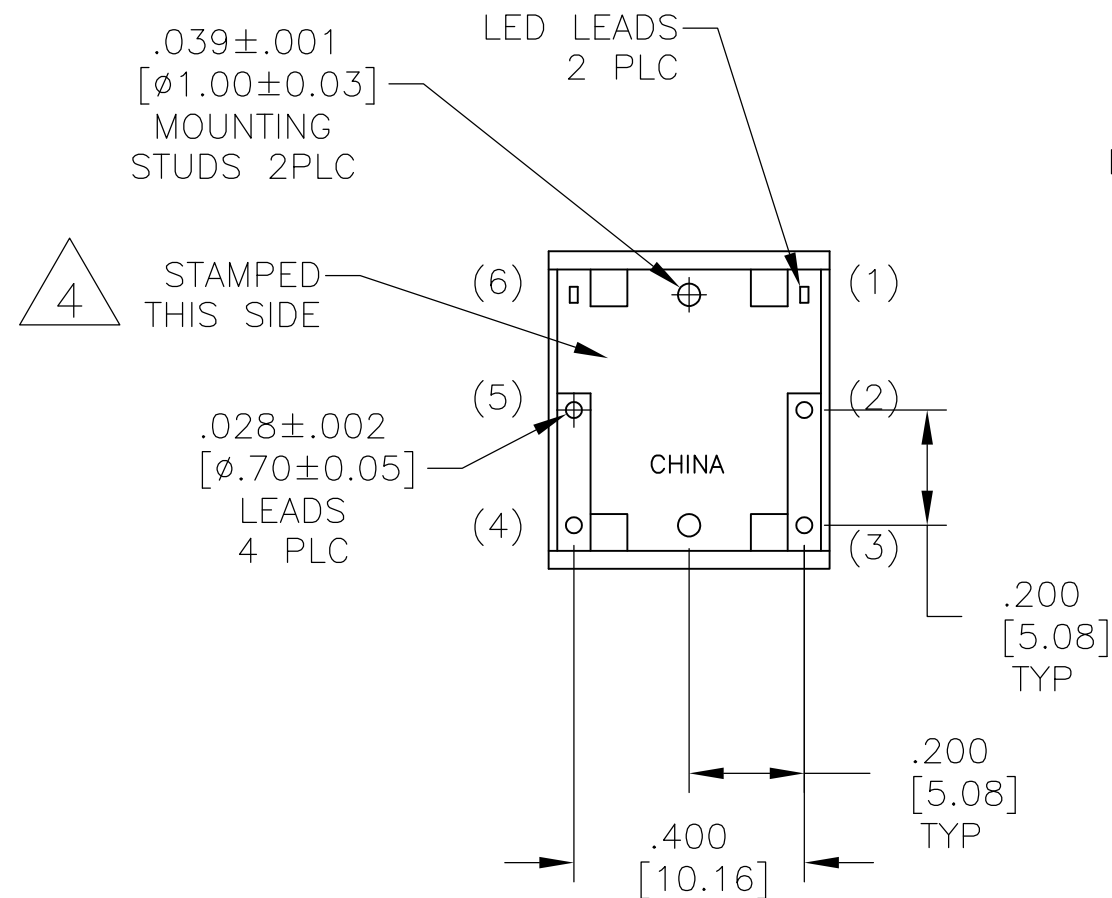


THIS DRAWING IS UNPUBLISHED. RELEASED FOR PUBLICATION

© COPYRIGHT BY TYCO ELECTRONICS CORPORATION. ALL RIGHTS RESERVED.

LOC AD	DIST -	REVISIONS		
P	LTR	DESCRIPTION	DATE	DWN APVD
	E2	REVISED PER ECO-10-008611	24APR10	HMR NE



SCHEMATIC

SEE SHEET 2 FOR SPECIFICATIONS

2	3	GRAY	NO	1571619-3
3		GRAY	YES	1571619-2
-		BLACK	YES	1571619-1
REMARKS	HOUSING/CAP COLOR	LED	PART NUMBER	

THIS DRAWING IS A CONTROLLED DOCUMENT.		DWN M.BINNER 10JUL03	Tyco Electronics Corporation Harrisburg, PA 17105	
DIMENSIONS: INCHES		CHK M.ZITTO 15JUL03	NAME	
TOLERANCES UNLESS OTHERWISE SPECIFIED:		APVD M.ZITTO 15JUL03	PUSHBUTTON KEYSWITCH WITH LED	
0 PLC ± -		PRODUCT SPEC	SIZE	CAGE CODE
1 PLC ± -		APPLICATION SPEC	A3	00779
2 PLC ± -		WEIGHT	DRAWING NO	
3 PLC ± .008			C-1571619	
4 PLC ± -			RESTRICTED TO	
ANGLES ± -				
FINISH		CUSTOMER DRAWING		
1		SCALE	3:1	SHEET 1 OF 2
		REV E2		

THIS DRAWING IS UNPUBLISHED. RELEASED FOR PUBLICATION
 © COPYRIGHT - BY TYCO ELECTRONICS CORPORATION. ALL RIGHTS RESERVED.

LOC	DIST	REVISIONS					
AD	00	P	LTR	DESCRIPTION	DATE	DWN	APVD
				SEE SHEET 1			

Test Description	Requirement	Procedure
Rating	10MA @ 10VDC Max	
Circuit type	SPST momentary	
Travel	.031(.80)	
Pretravel	.016 (.40)	
Operating force	130 +/- 30 grams	
Termination resistance	75 milliohms max	EIA 364-23B
Insulation resistance	100 megohms min	EIA 364-21C
Dielectric withstanding voltage	1,000 VAC	EIA 364-20B, Condition 1
Temperature rise vs. current	30 degrees C max. temperature rise from ambient	EIA 448, method 6.
Vibration	No discontinuities of 10 microseconds or greater. No physical damage	EIA 364-28D, CONDITION VII, LEVEL E, Duration 1.5 hours.
Mechanical shock	No discontinuities of 10 microseconds or greater. No physical damage	EIA 364-27B, condition A (50 g's)
Durability electrical	100,000 cycles at rated load	EIA RS 448, Method 8
Durability mechanical	100,000 cycles	EIA RS 448, Method 9
Actuator withstanding force	No physical damage	Static force of 2kf shall be applied in all operating directions for 15 Sec.
Actuator withstanding pull force	No physical damage	Static force of 2kf shall be applied in pulling direction for 15 sec
Travel	.040 +/- .01 (1.02 +/- .25) operating range	Verify operating range of .040 +/- .010 per customer drawing
Actuation Force	130 +/- 50 grams	Measure force to depress button and actuate switch
Thermal Shock	No physical damage	EIA 364-32C, test condition I except temp in step 1 shall be -25 and temp. in step 4 shall be +70 (-25C to +70C)
Humidity-Temperature cycling	No physical damage	EIA 364-31B, METHOD III
Operating temperature (Low temperature)	100,000 cycles	EIA 448, Method 10, 100,000 cycles at -25C
Operating temperature (high temperature)	100,000 cycles	EIA 448, Method 10, 100,000 cycles at +70C
Termination solderability	Pass/fail per EIA 364-52 (95% min coverage)	EIA 364-52, Class 2, Category 1.
Resistance to solder heat (Thru hole)	No physical damage	EIA 364-56A, procedure 3, Test condition B except immersion duration to be 15 +/- 1 seconds



MATERIALS & FINISHES

HOUSING & COVER: POLYAMIDE 6/6, 15% GLASS FILLED, UL94 HB COLOR- SEE TABLE
 CAP: ABS UL94 HB, COLOR- SEE TABLE
 LED: RED
 CONTACT PLATE: STAINLESS STEEL, 20μ" SILVER OVER 20μ" NICKEL
 TERMINALS: 20μ" SILVER OVER 20μ" NICKEL



NO L.E.D. HOLE IN THE HOUSING.



MANUFACTURED WITH CAP NOT ASSEMBLED TO THE HOUSING.



COUNTRY OF ORIGIN AND TE LOGO LOCATED APPROXIMATELY AS SHOWN

THIS DRAWING IS A CONTROLLED DOCUMENT.		DWN	M.BINNER	10JUL03	 Tyco Electronics Corporation Harrisburg, PA 17105				
DIMENSIONS: INCHES		CHK	M.ZITTO	15JUL03					
TOLERANCES UNLESS OTHERWISE SPECIFIED:		APVD	M.ZITTO	15JUL03					
		PRODUCT SPEC	NAME			PUSHBUTTON KEYSWITCH WITH LED			
0 PLC ± - 1 PLC ± - 2 PLC ± - 3 PLC ± .008 4 PLC ± - ANGLES ± -		APPLICATION SPEC	SIZE		CAGE CODE	DRAWING NO	RESTRICTED TO		
MATERIAL	FINISH	WEIGHT	A3		00779	G-1571619	-		
		CUSTOMER DRAWING		SCALE	3:1	SHEET	2 OF 2	REV	E2