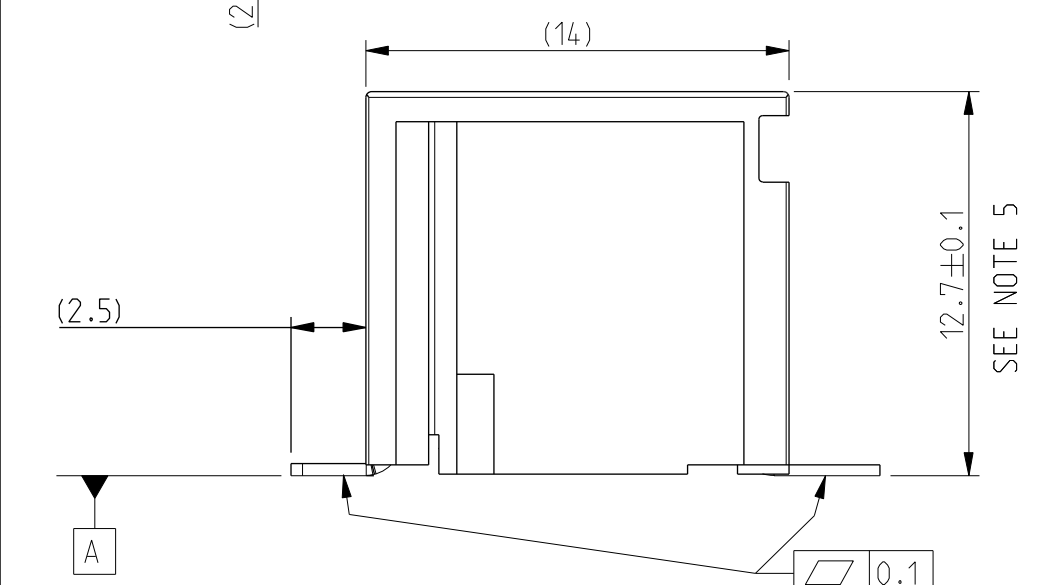
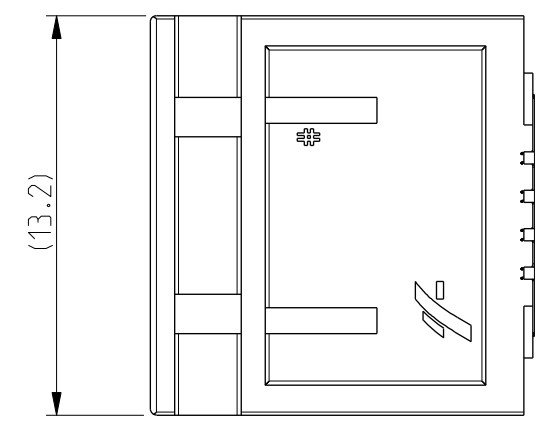
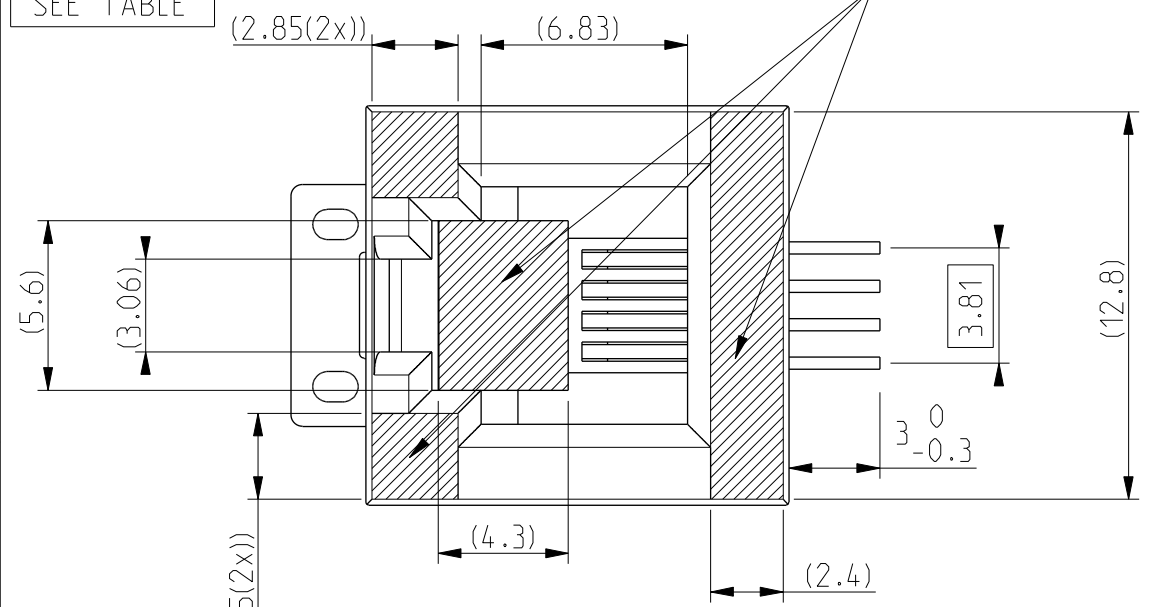
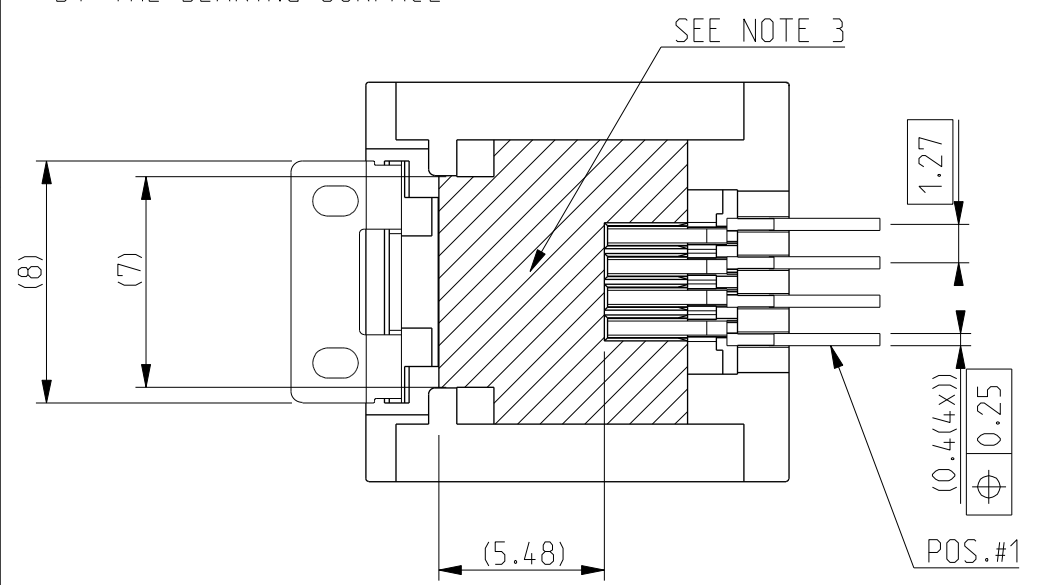
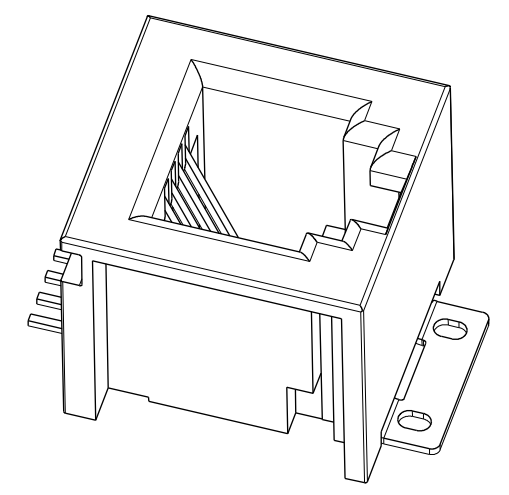
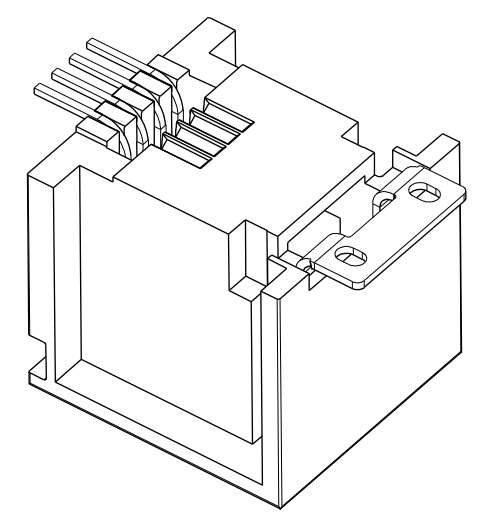


PRODUCT N°
SEE TABLE

SEE NOTE 3



REFERENCE PLAN DEFINED BY THE BEARING SURFACE



spec ref	-	dr	A Parrenin	2002/09/19	projection	mm	size	A3	scale	4:1
tolerance std	±0.13 ±2°	eng	J Dalibard	2016/02/01			ecn no	ELX-B-16041-1		
TOLERANCES UNLESS OTHERWISE SPECIFIED		chr	J Dalibard	2016/02/01			rel level	Released		
surface	ISO 1302	appr	Aymeric Soudy	2016/02/08	product family	MODULAR JACK	rel level	Released		
linear	0.X ±Y 0.XX ±Y 0.XXX ±Y			title	VERTICAL SMT 4 POSITIONS		dwg no	98431	rev	N
angular	0° ±Y°	www.fci.com	cat. no.	98431-XXX(LF)	Product - Customer Drw	sheet 1 of 2				



Copyright FCI.

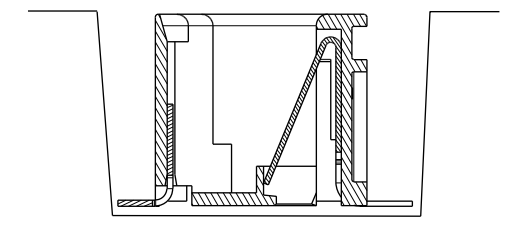
PRODUCT N°
98431-XXXLF

CONTACT PLATING OPTION
1= GXT 0.76 μm
3= 0.76 μm GOLD
5= 1.27 μm GOLD
7= GXT 0.15 μm

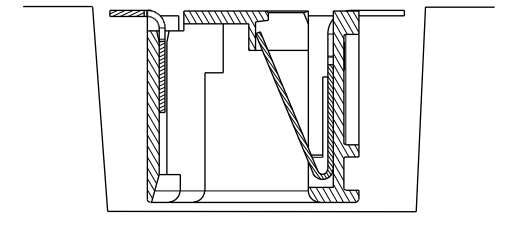
PACKAGE OPTIONS	VERSION
TAPE AND REEL PACKAGE 1= LOADED FACE UP	TOP
TAPE AND REEL PACKAGE 2= LOADED FACE DOWN	BOTTOM

TERMINAL LOADING OPTIONS
1= FULLY LOADED

WHEN NEEDED, SUFFIX LETTER "LF" INDICATES THE PRODUCT IS RoHS COMPATIBLE SEE NOTE 7.



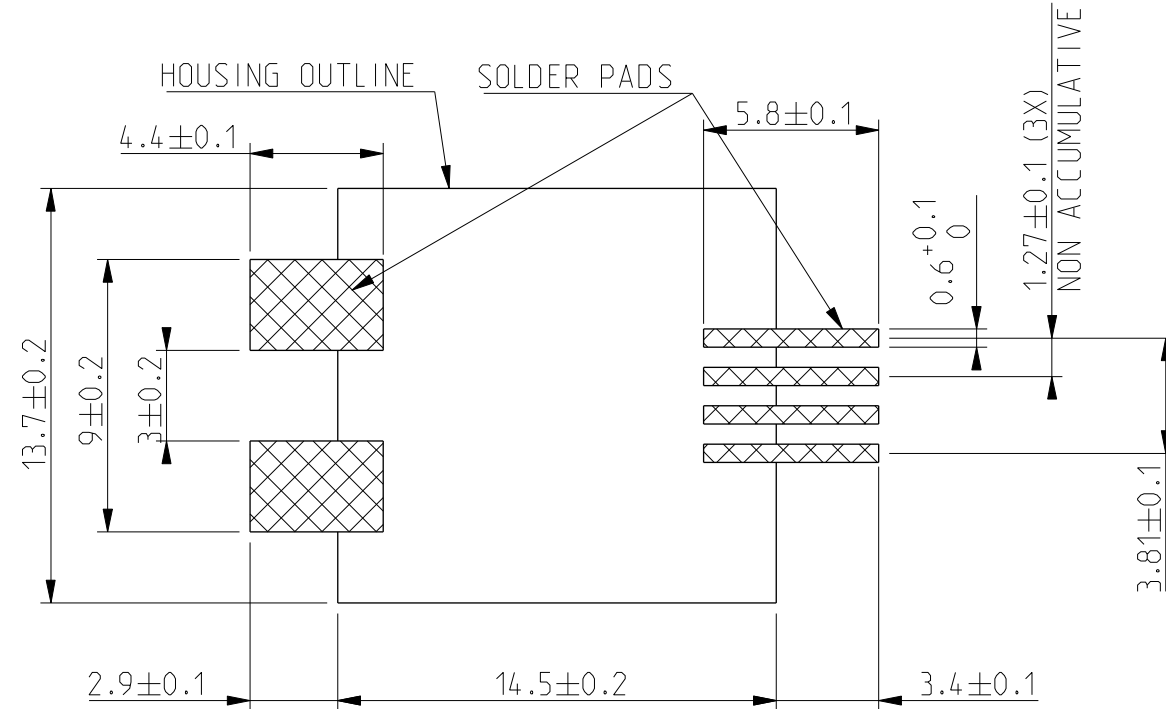
TOP VERSION



BOTTOM VERSION

NOTES:

- 1 - MATERIAL:
HOUSING: HIGH TEMP. PLASTIC, COLOR BLACK
TERMINAL PHOSPHOR BRONZE
- 2 - PLATING
CONTACT AREA: OPTIONAL SEE TABLE
SOLDER TAIL: SnPb 90/10 2 μm MIN
- NO RAW EDGES EXEPT SOLDER TAILS TIPS
- 3 - AREA FOR VACUUM PICK AND PLACE VENTURY
- 4 - PACKAGING SPECIFICATION SEE TA 858
- 5 - DIMENSION MEASURED FROM "A" TO THE TOP OF PRODUCT
- 6 - COPLANARITY SEE TA 861.
- 7 - RoHS COMPATIBLE PRODUCT SPECIFICATIONS
- a - PLATING:
- "LF" MEANS THE PRODUCT IS LEAD-FREE,
2 μm MINIMUM MATTE TIN OVER 1.27 μm
MINIMUM NICKEL UNDERPLATE.
- b - MANUFACTURING PROCESS COMPATIBILITY:
- THE HOUSING WILL WITHSTAND EXPLOSURE TO
245 °C PEAK TEMPERATURE FOR 30 SECONDS
MAX IN A CONVECTION, INFRA-RED OR VAPOR
PHASE OR REFLOW OVEN.
- c - LABELLING:
- MEETS PACKAGING SPECS AS PER GS-14-920.
- d - LEGAL STATEMENT: SEE GS-22-008



RECOMMENDED PCB FOOTPRINT

spec ref	-	dr	A Parrenin	2002/09/19	projection	mm	size	A3	scale	5:1
tolerance std	±0.13 ±2°	eng	J Dalibard	2016/02/01			ecn no	ELX-B-16041-1	rel level	Released
TOLERANCES UNLESS OTHERWISE SPECIFIED		chr	J Dalibard	2016/02/01						
surface	ISO 1302	appr	Aymeric Soudy	2016/02/08			dwg no	98431	rev	N
					cat. no.	98431-XXX(LF)	Product - Customer Drw		sheet 2 of 2	

