

PRODUCT DATASHEET

Tina series

last update 11/11/2016

DETAILS

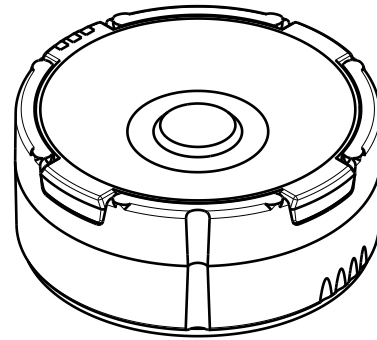
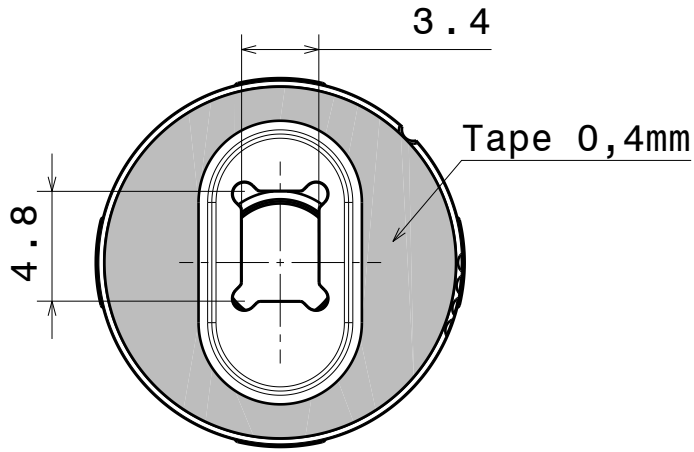
Product Number	CA13180_TINA3-OO
Family	Tina
Type	Assembly
Color	white
Diameter	16,1 mm
Height	6,8 mm
Style	round
Optic Material	PMMA
Holder Material	
Fastening	tape
Status	production ready
ROHS Comliant	Yes
Date Updated	11/11/2016

OPTICAL PROPERTIES

LED	Viewing Angle	Light Beam	Effi- ciency	cd/lm	Connector
LUXEON Rebel ES	57+40 deg	OO-class	91 %	1.100	-

D C B A

4

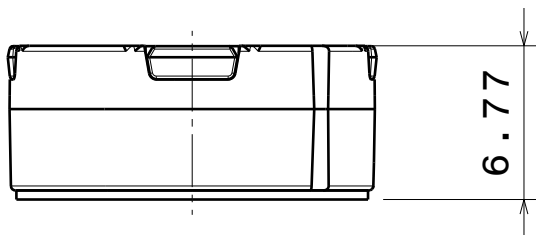


4

Bottom view

Isometric view

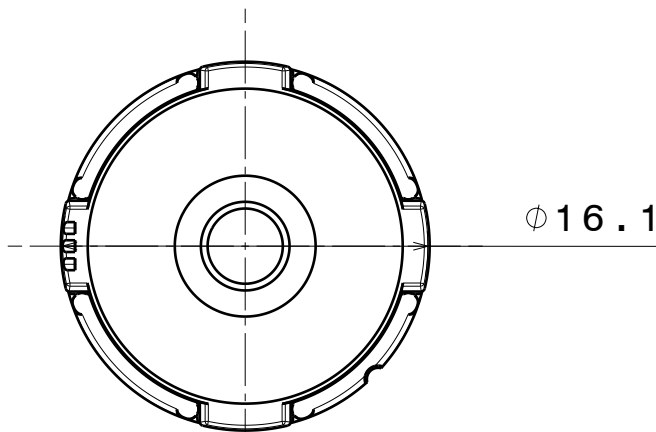
3



3

Front view

2



2

Top view

Materials

Lens: PMMA

Holder: PC

Tape: PU Foam

This drawing is our property.
It can't be reproduced
or communicated without
our written agreement.

LEDIL Ledil Oy
Salorankatu 10
FIN 24240 SALO
Finland

DRAWING TITLE Mechanical Drawing

DRAWN BY
as
DATE
21.9.2012

TINA3-RE-ES

CHECKED BY
VS
DATE
-

SIZE PART NUMBER REV
A4 **001**

DESIGNED BY
-
DATE
-

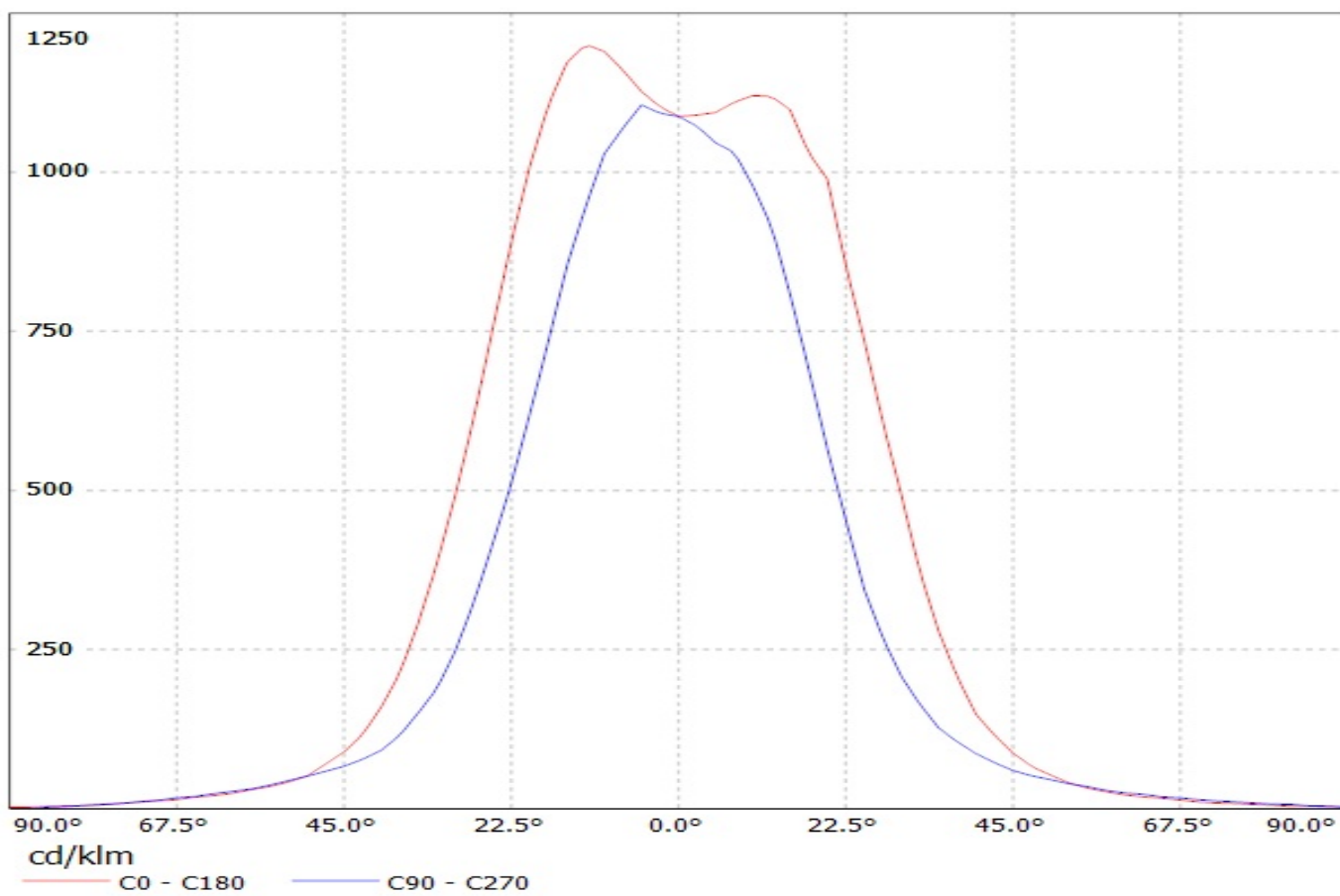
SCALE 3:1 WEIGHT - SHEET 1/1

1

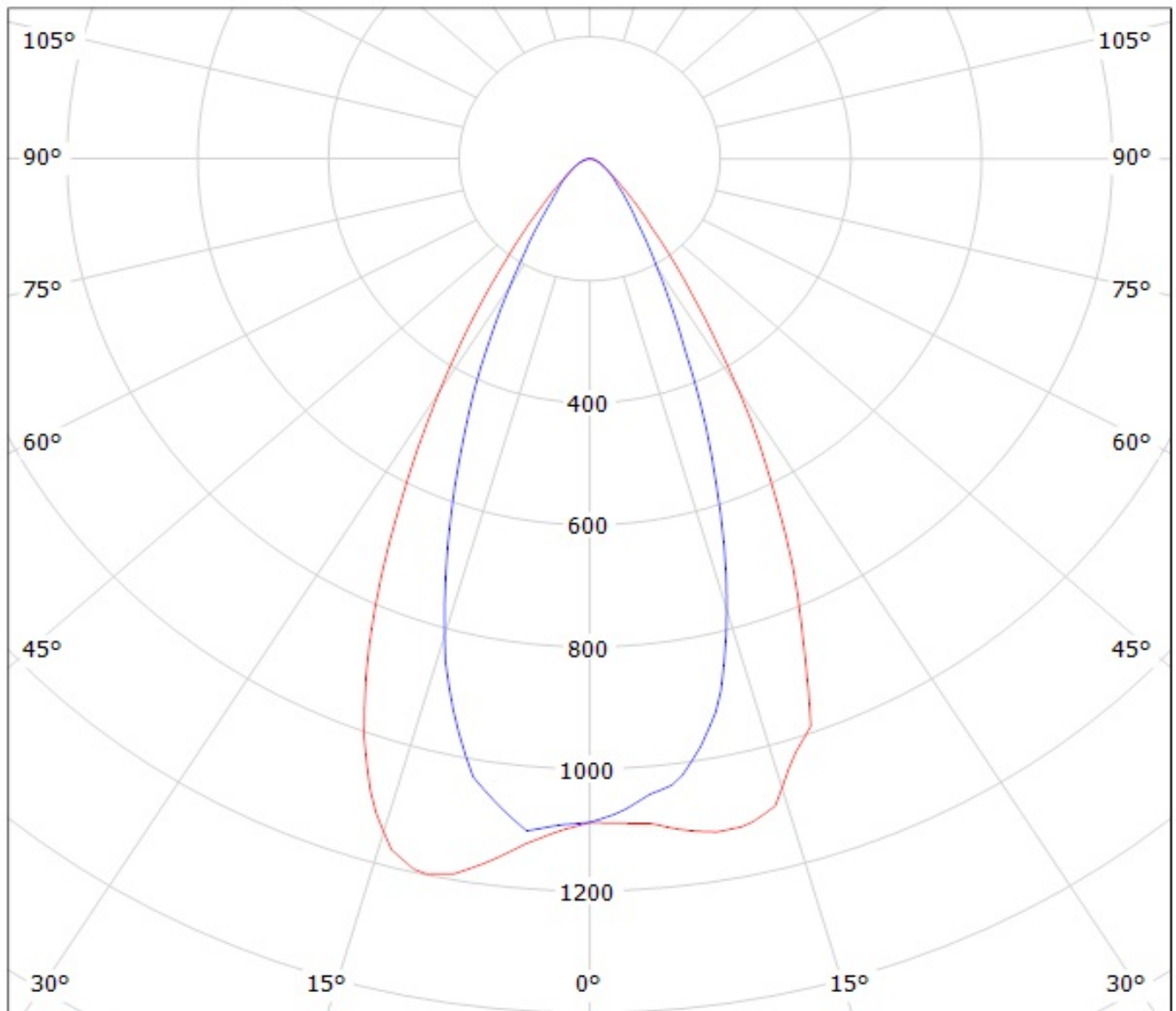
1

D A

Luminaire: Ledil Oy CA13180_TINA3-00 (Luxeon Rebel-ES 92lm @ 250mA) Efficiency=91%
Lamps: 1 x Luxeon Rebel-ES 92lm @ 250mA



Luminaire: Ledil Oy CA13180_TINA3-00 (Luxeon Rebel-ES 92lm @ 250mA) Efficiency=91%
Lamps: 1 x Luxeon Rebel-ES 92lm @ 250mA



cd/klm

— C0 - C180

— C90 - C270

NOTE: The typical divergence will be changed by different color, chip size and chip position tolerance. The typical total divergence is the full angle measured where the luminous intensity is half of the peak value.