

Features

- **Low-voltage and Standard-voltage Operation**
 - 1.8 ($V_{CC} = 1.8V$ to 5.5V)
- **Internally Organized 512 x 8 (4K), or 1024 x 8 (8K)**
- **Two-wire Serial Interface**
- **Schmitt Trigger, Filtered Inputs for Noise Suppression**
- **Bidirectional Data Transfer Protocol**
- **1 MHz (5V), 400 kHz (1.8V, 2.5V, 2.7V) Compatibility**
- **Write Protect Pin for Hardware Data Protection**
- **16-byte Page (4K, 8K) Write Modes**
- **Partial Page Writes Allowed**
- **Self-timed Write Cycle (5 ms max)**
- **High-reliability**
 - **Endurance: 1 Million Write Cycles**
 - **Data Retention: 100 Years**
- **8-lead PDIP, 8-lead JEDEC SOIC, 8-lead Ultra-Thin Mini-MAP (MLP 2x3), 5-lead SOT23, 8-lead TSSOP and 8-ball dBGAA2 Packages**
- **Lead-free/Halogen-free**
- **Die Sales: Wafer Form and Tape and Reel**

Description

The AT24C04B/08B provides 4096/8192 bits of serial electrically erasable and programmable read-only memory (EEPROM) organized as 512/1024 words of 8 bits each. The device is optimized for use in many industrial and commercial applications where low-power and low-voltage operation are essential. The AT24C04B/08B is available in space-saving 8-lead PDIP, 8-lead JEDEC SOIC, 8-lead Ultra-Thin Mini-MAP (MLP 2x3), 5-lead SOT23, 8-lead TSSOP, and 8-ball dBGAA2 packages and is accessed via a Two-wire serial interface. In addition, the AT24C04B/08B is available in 1.8V (1.8V to 5.5V) version.

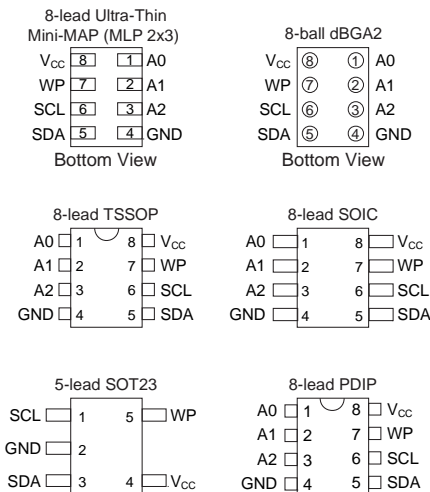
Figure 1. Pin Configurations

Pin Name	Description
A0 – A2	Address Inputs
SDA	Serial Data
SCL	Serial Clock Input
WP	Write Protect
NC	No Connect
GND	Ground
V_{CC}	Power Supply

Note: For use of 5-lead SOT23

4K: The software A2 and A1 bits in the device address word must be set to zero to properly communicate.

8K: The software A2 bit in the device address word must be set to zero to properly communicate.



Two-wire Serial EEPROM

4K (512 x 8)
8K (1024 x 8)

AT24C04B
AT24C08B

**Not Recommended
for New Design.
Replaced by
AT24C04C or
AT24C08C.**

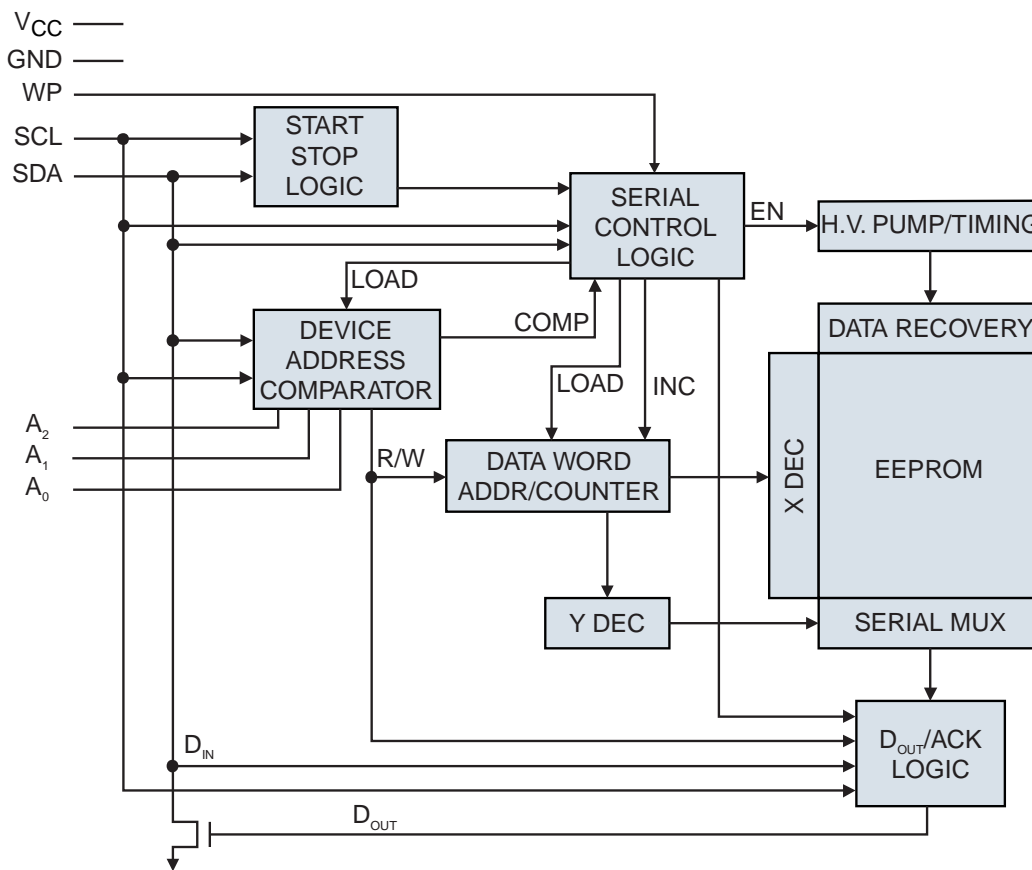


Absolute Maximum Ratings

Operating Temperature	-55°C to +125°C
Storage Temperature	-65°C to + 150°C
Voltage on Any Pin with Respect to Ground	- 0.1V to +7.0V
Maximum Operating Voltage	6.25V
DC Output Current	5.0 mA

*NOTICE: Stresses beyond those listed under “Absolute Maximum Ratings” may cause permanent damage to the device. This is a stress rating only and functional operation of the device at these or any other condition beyond those indicated in the operational sections of this specification is not implied. Exposure to absolute maximum rating conditions for extended periods may affect device reliability.

Figure 2. Block Diagram



1. Pin Description

SERIAL CLOCK (SCL): The SCL input is used to positive edge clock data into each EEPROM device and negative edge clock data out of each device.

SERIAL DATA (SDA): The SDA pin is bidirectional for serial data transfer. This pin is open drain driven and may be wire-ORed with any number of other open-drain or open-collector devices.

DEVICE/PAGE ADDRESSES (A2, A1, A0): The AT24C04B uses the A2 and A1 inputs for hard wire addressing and a total of four 4K devices may be addressed on a single bus system. The A0 pin is a no connect and can be connected to ground (device addressing is discussed in detail under the Device Addressing section).

The AT24C08B only uses the A2 input for hardware addressing and a total of two 8K devices may be addressed on a single bus system. The A0 and A1 pins are no connects and can be connected to ground (device addressing is discussed in detail under the Device Addressing section).

Table 1. Write Protect

WP Pin Status	Part of the Array Protected
	24C04B/08B
At V _{CC}	Full Array
At GND	Normal Read/Write Operations





2. Memory Organization

AT24C04B, 4K SERIAL EEPROM: Internally organized with 32 pages of 16 bytes each, the 4K requires a 9-bit data word address for random word addressing.

AT24C08B, 8K SERIAL EEPROM: Internally organized with 64 pages of 16 bytes each, the 8K requires a 10-bit data word address for random word addressing.

Table 2. Pin Capacitance⁽¹⁾

Applicable over recommended operating range from $T_A = 25^\circ\text{C}$, $f = 1.0\text{ MHz}$, $V_{CC} = +1.8\text{V}$

Symbol	Test Condition	Max	Units	Conditions
$C_{I/O}$	Input/Output Capacitance (SDA)	8	pF	$V_{I/O} = 0\text{V}$
C_{IN}	Input Capacitance ($A_0, A_1, A_2, \text{SCL}$)	6	pF	$V_{IN} = 0\text{V}$

Note: 1. This parameter is characterized and is not 100% tested.

Table 3. DC Characteristics

Applicable over recommended operating range from:

$T_{AI} = -40^\circ\text{C}$ to $+85^\circ\text{C}$, $V_{CC} = +1.8\text{V}$ to $+5.5\text{V}$ (unless otherwise noted)

Symbol	Parameter	Test Condition	Min	Typ	Max	Units
V_{CC1}	Supply Voltage		1.8		5.5	V
V_{CC2}	Supply Voltage		2.5		5.5	V
V_{CC3}	Supply Voltage		2.7		5.5	V
V_{CC4}	Supply Voltage		4.5		5.5	V
I_{CC}	Supply Current $V_{CC} = 5.0\text{V}$	READ at 100 kHz		0.4	1.0	mA
I_{CC}	Supply Current $V_{CC} = 5.0\text{V}$	WRITE at 100 kHz		2.0	3.0	mA
I_{SB1}	Supply Current $V_{CC} = 1.8\text{V}$	$V_{IN} = V_{CC}$ or V_{SS}		0.6	3.0	μA
I_{SB2}	Supply Current $V_{CC} = 2.5\text{V}$	$V_{IN} = V_{CC}$ or V_{SS}		1.4	4.0	μA
I_{SB3}	Supply Current $V_{CC} = 2.7\text{V}$	$V_{IN} = V_{CC}$ or V_{SS}		1.6	4.0	μA
I_{SB4}	Supply Current $V_{CC} = 5.0\text{V}$	$V_{IN} = V_{CC}$ or V_{SS}		8.0	18.0	μA
I_{LI}	Input Leakage Current	$V_{IN} = V_{CC}$ or V_{SS}		0.10	3.0	μA
I_{LO}	Output Leakage Current	$V_{OUT} = V_{CC}$ or V_{SS}		0.05	3.0	μA
V_{IL}	Input Low Level ⁽¹⁾		-0.6		$V_{CC} \times 0.3$	V
V_{IH}	Input High Level ⁽¹⁾		$V_{CC} \times 0.7$		$V_{CC} + 0.5$	V
V_{OL2}	Output Low Level $V_{CC} = 3.0\text{V}$	$I_{OL} = 2.1\text{ mA}$			0.4	V
V_{OL1}	Output Low Level $V_{CC} = 1.8\text{V}$	$I_{OL} = 0.15\text{ mA}$			0.2	V

Note: 1. V_{IL} min and V_{IH} max are reference only and are not tested.

Two-wire Serial EEPROM

Table 4. AC Characteristics

Applicable over recommended operating range from $T_{AI} = -40^{\circ}\text{C}$ to $+85^{\circ}\text{C}$, $V_{CC} = +1.8\text{V}$ to $+5.5\text{V}$, $CL = 1$ TTL Gate and 100 pF (unless otherwise noted)

Symbol	Parameter	1.8, 2.5, 2.7		5.0-volt		Units
		Min	Max	Min	Max	
f_{SCL}	Clock Frequency, SCL		400		1000	kHz
t_{LOW}	Clock Pulse Width Low	1.2		0.4		μs
t_{HIGH}	Clock Pulse Width High	0.6		0.4		μs
t_I	Noise Suppression Time		50		40	ns
t_{AA}	Clock Low to Data Out Valid	0.1	0.9	0.05	0.55	μs
t_{BUF}	Time the bus must be free before a new transmission can start	1.2		0.5		μs
$t_{HD,STA}$	Start Hold Time	0.6		0.25		μs
$t_{SU,STA}$	Start Setup Time	0.6		0.25		μs
$t_{HD,DAT}$	Data in Hold Time	0		0		μs
$t_{SU,DAT}$	Data In Setup Time	100		100		ns
t_R	Inputs Rise Time ⁽¹⁾		0.3		0.3	μs
t_F	Inputs Fall Time ⁽¹⁾		300		100	ns
$T_{SU,STO}$	Stop Setup Time	0.6		.25		μs
t_{DH}	Data Out Hold Time	50		50		ns
t_{WR}	Write Cycle Time		5		5	ms
Endurance ⁽¹⁾	5.0V, 25°C, Byte Mode	1M		1M		Write cycles

Note: 1. This parameter is ensured by characterization only.



3. Device Operation

CLOCK and DATA TRANSITIONS: The SDA pin is normally pulled high with an external device. Data on the SDA pin may change only during SCL low time periods (see Figure 6). Data changes during SCL high periods will indicate a start or stop condition as defined below.

START CONDITION: A high-to-low transition of SDA with SCL high is a start condition which must precede any other command (see Figure 7).

STOP CONDITION: A low-to-high transition of SDA with SCL high is a stop condition. After a read sequence, the stop command will place the EEPROM in a standby power mode (see Figure 7).

ACKNOWLEDGE: All addresses and data words are serially transmitted to and from the EEPROM in 8-bit words. The EEPROM sends a zero to acknowledge that it has received each word. This happens during the ninth clock cycle.

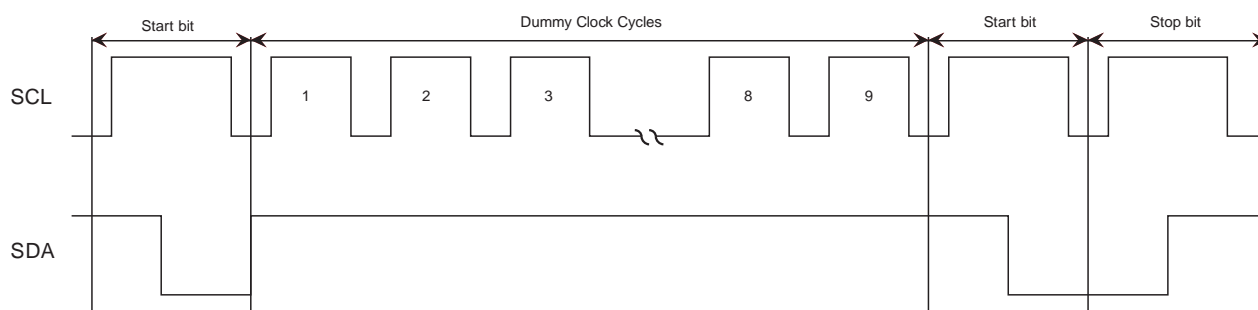
STANDBY MODE: The AT24C04B/08B features a low-power standby mode which is enabled:

- (a) Upon power-up and
- (b) After the receipt of the STOP bit and the completion of any internal operations.

2-WIRE SOFTWARE RESET: After an interruption in protocol, power loss or system reset, any 2-wire part can be reset by following these steps:

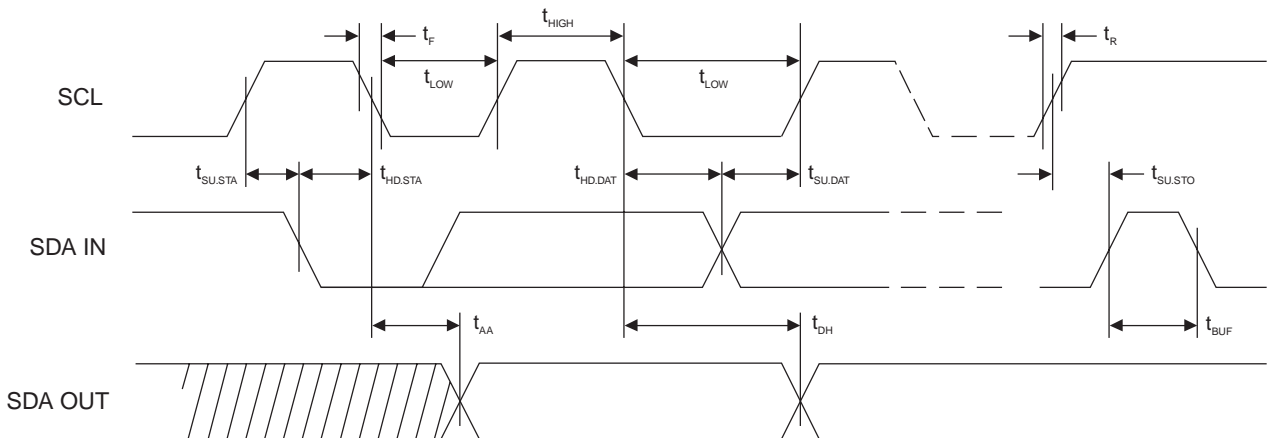
- (a) Create a start bit condition,
- (b) Clock 9 cycles,
- (c) Create another start bit followed by a stop bit condition as shown below. The device is ready for the next communication after the above steps have been completed.

Figure 3. Software reset



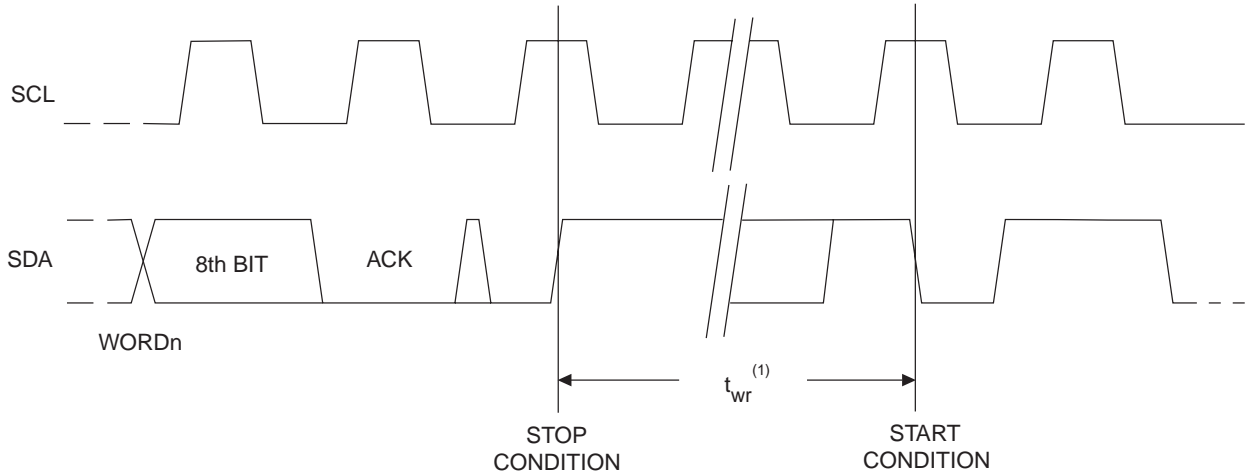
4. Bus Timing

Figure 4. SCL: Serial Clock, SDA: Serial Data I/O®



5. Write Cycle Timing

Figure 5. SCL: Serial Clock, SDA: Serial Data I/O



Note: 1. The write cycle time t_{wr} is the time from a valid stop condition of a write sequence to the end of the internal clear/write cycle.

Figure 6. Data Validity

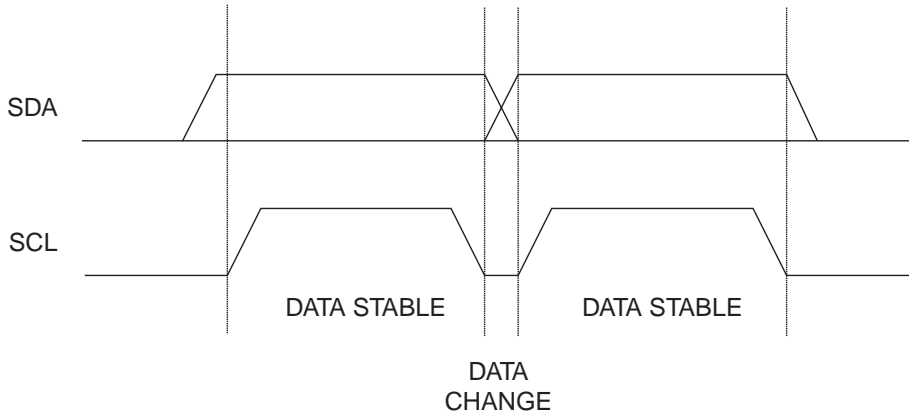


Figure 7. Start and Stop Definition

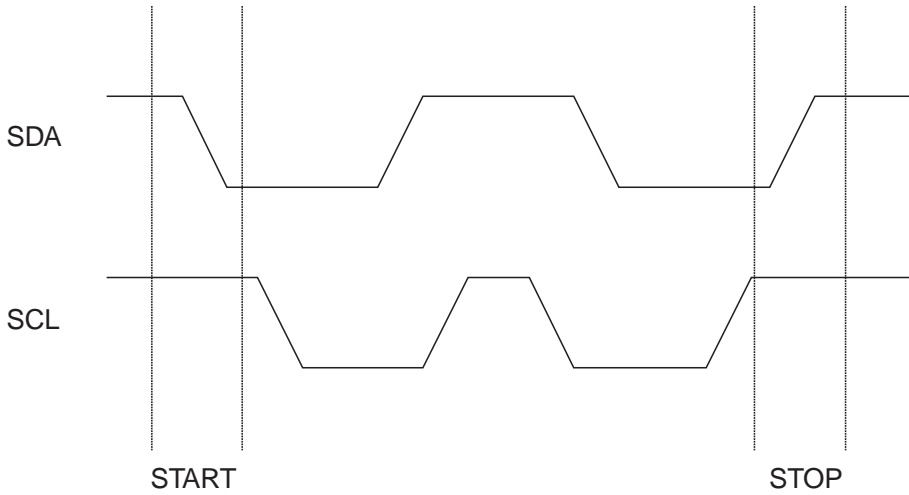
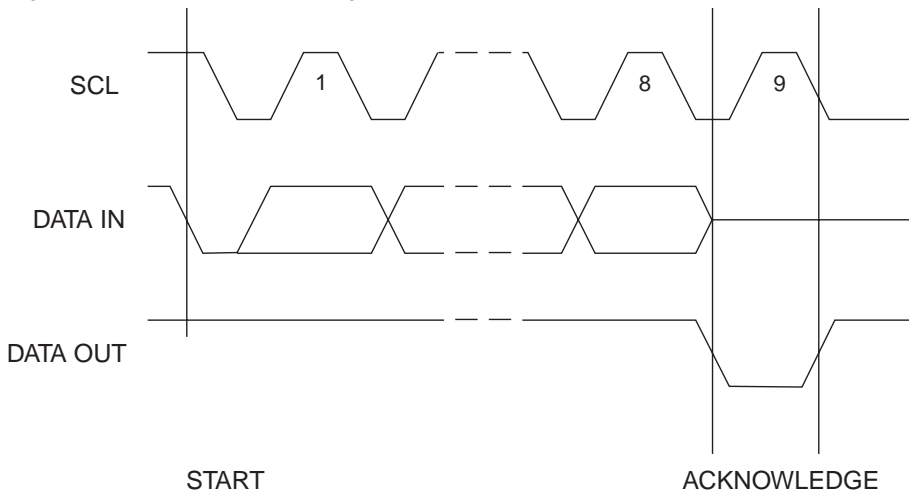


Figure 8. Output Acknowledge



6. Device Addressing

The 4K and 8K EEPROM device requires an 8-bit device address word following a start condition to enable the chip for a read or write operation (refer to [Figure 9](#)).

The device address word consists of a mandatory one, zero sequence for the first four most significant bits as shown. This is common to all the EEPROM devices.

The 4K EEPROM only uses the A2 and A1 device address bits with the third bit being a memory page address bit. The two device address bits must compare to their corresponding hard-wired input pins. The A0 pin is no connect.

The 8K EEPROM only uses the A2 device address bit with the next 2 bits being for memory page addressing. The A2 must compare to its corresponding hard-wired input pin. The A1 and A0 pins are no connect.

For the SOT23 Package Offering:

The 4K EEPROM software A2 and A1 bits in the device address word must be set to zero to properly communicate.

The 8K EEPROM software A2 bit in the device address word must be set to zero to properly communicate.

7. Write Operations

BYTE WRITE: A write operation requires an 8-bit data word address following the device address word and acknowledgment. Upon receipt of this address, the EEPROM will again respond with a zero and then clock in the first 8-bit data word. Following receipt of the 8-bit data word, the EEPROM will output a zero and the addressing device, such as a microcontroller, must terminate the write sequence with a stop condition. At this time the EEPROM enters an internally timed write cycle, t_{WR} , to the nonvolatile memory. All inputs are disabled during this write cycle and the EEPROM will not respond until the write is complete (see [Figure 10](#)).

PAGE WRITE: The 4K/8K EEPROM is capable of an 16-byte page write.

A page write is initiated the same as a byte write, but the microcontroller does not send a stop condition after the first data word is clocked in. Instead, after the EEPROM acknowledges receipt of the first data word, the microcontroller can transmit up to fifteen data words. The EEPROM will respond with a zero after each data word received. The microcontroller must terminate the page write sequence with a stop condition. (see [Figure 11](#)).

The data word address lower four bits are internally incremented following the receipt of each data word. The higher data word address bits are not incremented, retaining the memory page row location. When the word address, internally generated, reaches the page boundary, the following byte is placed at the beginning of the same page. If more than sixteen data words are transmitted to the EEPROM, the data word address will “roll over” and previous data will be overwritten.

ACKNOWLEDGE POLLING: Once the internally timed write cycle has started and the EEPROM inputs are disabled, acknowledge polling can be initiated. This involves sending a start condition followed by the device address word. The read/write bit is representative of the operation desired. Only if the internal write cycle has completed will the EEPROM respond with a zero allowing the read or write sequence to continue.





8. Read Operations

Read operations are initiated the same way as write operations with the exception that the read/write select bit in the device address word is set to one. There are three read operations: current address read, random address read and sequential read.

CURRENT ADDRESS READ: The internal data word address counter maintains the last address accessed during the last read or write operation, incremented by one. This address stays valid between operations as long as the chip power is maintained. The address “roll over” during read is from the last byte of the last memory page to the first byte of the first page. The address “roll over” during write is from the last byte of the current page to the first byte of the same page.

Once the device address with the read/write select bit set to one is clocked in and acknowledged by the EEPROM, the current address data word is serially clocked out. The microcontroller does not respond with an input zero but does generate a following stop condition (see [Figure 12](#)).

RANDOM READ: A random read requires a “dummy” byte write sequence to load in the data word address. Once the device address word and data word address are clocked in and acknowledged by the EEPROM, the microcontroller must generate another start condition. The microcontroller now initiates a current address read by sending a device address with the read/write select bit high. The EEPROM acknowledges the device address and serially clocks out the data word. The microcontroller does not respond with a zero but does generate a following stop condition (see [Figure 13](#)).

SEQUENTIAL READ: Sequential reads are initiated by either a current address read or a random address read. After the microcontroller receives a data word, it responds with an acknowledge. As long as the EEPROM receives an acknowledge, it will continue to increment the data word address and serially clock out sequential data words. When the memory address limit is reached, the data word address will “roll over” and the sequential read will continue. The sequential read operation is terminated when the microcontroller does not respond with a zero but does generate a following stop condition (see [Figure 14](#)).

Figure 9. Device Address

4K	1	0	1	0	A ₂	A ₁	P0	R/W
8K	1	0	1	0	A ₂	P ₁	P0	R/W

Figure 10. Byte Write

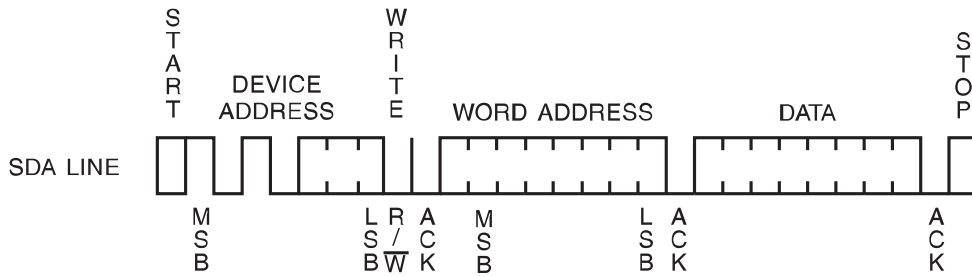


Figure 11. Page Write

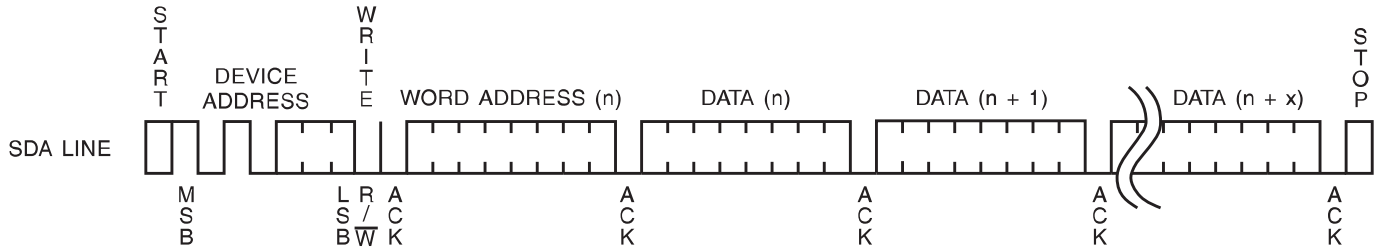


Figure 12. Current Address Read

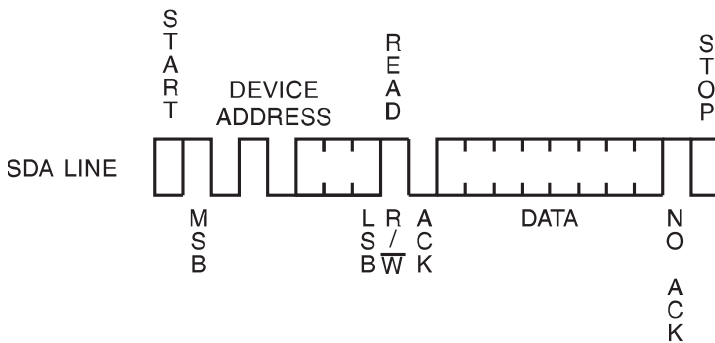


Figure 13. Random Read

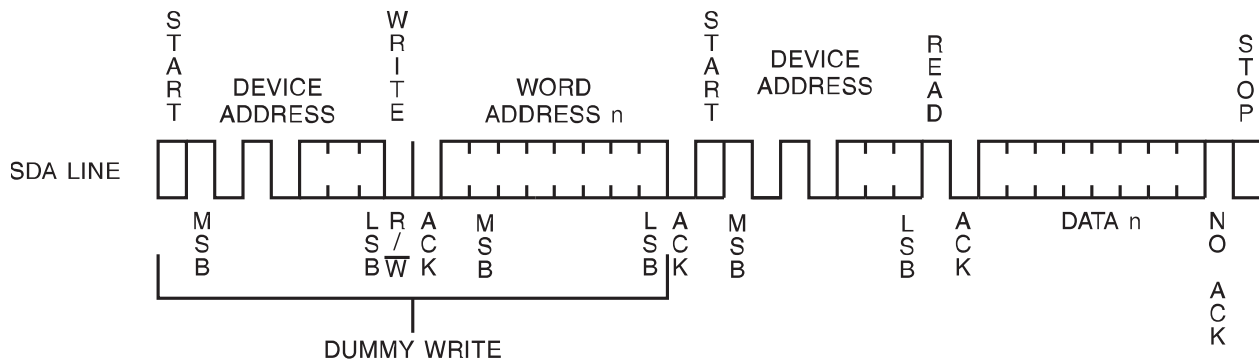
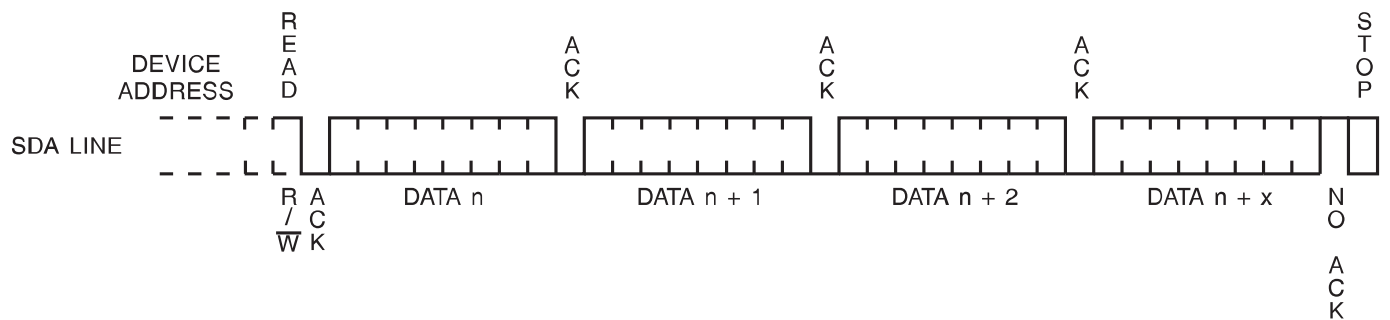


Figure 14. Sequential Read



9. AT24C04B Ordering Information

Table 5. Ordering Information

Ordering Code	Voltage	Package	Operational range
AT24C04B-PU (Bulk form only)	1.8	8P3	Lead-free/Halogen-free/ Industrial Temperature (-40°C to 85°C)
AT24C04BN-SH-B ⁽¹⁾ (NiPdAu Lead Finish)	1.8	8S1	
AT24C04BN-SH-T ⁽²⁾ (NiPdAu Lead Finish)	1.8	8S1	
AT24C04B-TH-B ⁽¹⁾ (NiPdAu Lead Finish)	1.8	8A2	
AT24C04B-TH-T ⁽²⁾ (NiPdAu Lead Finish)	1.8	8A2	
AT24C04BY6-YH-T ⁽²⁾ (NiPdAu Lead Finish)	1.8	8Y6	
AT24C04B-TSU-T ⁽²⁾	1.8	5TS1	
AT24C04BU3-UU-T ⁽²⁾	1.8	8U3-1	
AT24C04B-W-11 ⁽³⁾	1.8	Die Sale	Industrial Temperature (-40°C to 85°C)

- Note:**
1. "-B" denotes bulk.
 2. "-T" denotes tape and reel. SOIC = 4K per reel. TSSOP, Ultra Thin Mini-MAP, SOT23, and dBG2 = 5K per reel.
 3. Available in tape and reel and wafer form; order as SL788 for inkless wafer form. Please contact Serial Interface Marketing.

Package Type	
8P3	8-lead, 0.300" Wide, Plastic Dual Inline Package (PDIP)
8S1	8-lead, 0.150" Wide, Plastic Gull Wing Small Outline (JEDEC SOIC)
8A2	8-lead, 4.4 mm Body, Plastic Thin Shrink Small Outline Package (TSSOP)
8Y6	8-lead, 2.00 mm x 3.00 mm Body, 0.50 mm Pitch, Ultra Thin Mini-MAP, Dual No Lead Package (DFN), (MLP 2x3 mm)
5TS1	5-lead, 2.90 mm x 1.60 mm Body, Plastic Thin Shrink Small Outline Package (SOT23)
8U3-1	8-ball, die Ball Grid Array Package (dBG2)
Options	
-1.8	Low-voltage (1.8V to 5.5V)





10. AT24C08B Ordering Information

Table 6. Ordering Information

Ordering Code	Voltage	Package	Operational range
AT24C08B-PU (Bulk form only)	1.8	8P3	Lead-free/Halogen-free/ Industrial Temperature (-40°C to 85°C)
AT24C08BN-SH-B ⁽¹⁾ (NiPdAu Lead Finish)	1.8	8S1	
AT24C08BN-SH-T ⁽²⁾ (NiPdAu Lead Finish)	1.8	8S1	
AT24C08B-TH-B ⁽¹⁾ (NiPdAu Lead Finish)	1.8	8A2	
AT24C08B-TH-T ⁽²⁾ (NiPdAu Lead Finish)	1.8	8A2	
AT24C08BY6-YH-T ⁽²⁾ (NiPdAu Lead Finish)	1.8	8Y6	
AT24C08B-TSU-T ⁽²⁾	1.8	5TS1	
AT24C08BU3-UU-T ⁽²⁾	1.8	8U3-1	
AT24C08B-W-11 ⁽³⁾	1.8	Die Sale	Industrial Temperature (-40°C to 85°C)

- Note:**
1. "-B" denotes bulk.
 2. "-T" denotes tape and reel. SOIC = 4K per reel. TSSOP, Ultra Thin Mini-MAP, SOT23, and dBGA2 = 5K per reel.
 3. Available in tape and reel and wafer form; order as SL788 for inkless wafer form. Please contact Serial Interface Marketing.

Package Type	
8P3	8-lead, 0.300" Wide, Plastic Dual Inline Package (PDIP)
8S1	8-lead, 0.150" Wide, Plastic Gull Wing Small Outline (JEDEC SOIC)
8A2	8-lead, 4.4 mm Body, Plastic Thin Shrink Small Outline Package (TSSOP)
8Y6	8-lead, 2.00 mm x 3.00 mm Body, 0.50 mm Pitch, Ultra Thin Mini-MAP, Dual No Lead Package (DFN), (MLP 2x3 mm)
5TS1	5-lead, 2.90 mm x 1.60 mm Body, Plastic Thin Shrink Small Outline Package (SOT23)
8U3-1	8-ball, die Ball Grid Array Package (dBGA2)
Options	
-1.8	Low-voltage (1.8V to 5.5V)

11. Part Marketing Scheme

11.1. AT24C04B Device Package Marking

8-PDIP

Seal Year

<p>Top Mark</p> <pre> --- --- --- --- --- --- --- A T M L U Y W W --- --- --- --- --- --- --- 0 4 B 1 * Lot Number --- --- --- --- --- --- Pin 1 Indicator (Dot) </pre>	<p>Seal Week</p> <pre> </pre>
---	---

Y = SEAL YEAR	WW = SEAL WEEK	
6: 2006	0: 2010	02 = Week 2
7: 2007	1: 2011	04 = Week 4
8: 2008	2: 2012	:: : :::: :
9: 2009	3: 2013	:: : :::: ::
		50 = Week 50
		52 = Week 52

Lot Number to Use ALL Characters in Marking
BOTTOM MARK

No Bottom Mark

8-SOIC

Seal Year

<p>Top Mark</p> <pre> --- --- --- --- --- --- --- A T M L H Y W W --- --- --- --- --- --- --- 0 4 B 1 * Lot Number --- --- --- --- --- --- Pin 1 Indicator (Dot) </pre>	<p>Seal Week</p> <pre> </pre>
---	---

Y = SEAL YEAR	WW = SEAL WEEK	
6: 2006	0: 2010	02 = Week 2
7: 2007	1: 2011	04 = Week 4
8: 2008	2: 2012	:: : :::: :
9: 2009	3: 2013	:: : :::: ::
		50 = Week 50
		52 = Week 52

Lot Number to Use ALL Characters in Marking
BOTTOM MARK

No Bottom Mark

8-TSSOP

Top Mark

```

Pin 1 Indicator (Dot)
|
|---|---|---|---|
* H Y W W
|---|---|---|---|
0  4  B      1
|---|---|---|---|
                
```

Y = SEAL YEAR	WW = SEAL WEEK	
6: 2006	0: 2010	02 = Week 2
7: 2007	1: 2011	04 = Week 4
8: 2008	2: 2012	:: : :::: :
9: 2009	3: 2013	:: : :::: ::
		50 = Week 50
		52 = Week 52

Bottom Mark

```

|---|---|---|---|---|---|---|
P  H
|---|---|---|---|---|---|---|
A  A  A  A  A  A  A  A
<- Pin 1 Indicator
                
```





8-Ultra Thin Mini Map

Top Mark

```

|---|---|---|
  0  4  B
|---|---|---|
  H  1
|---|---|---|
  Y  X  X
|---|---|---|
  *
  |

```

Pin 1 Indicator (Dot)

Y = YEAR OF ASSEMBLY

XX = ATMEL LOT NUMBER TO COORESPOND WITH
NSEB TRACE CODE LOG BOOK.

(e.g. XX = AA, AB, AC, ...AX, AY, AZ)

Y = SEAL YEAR

6:	2006	0:	2010
7:	2007	1:	2011
8:	2008	2:	2012
9:	2009	3:	2013

ULA

Top Mark

```

|---|---|---|
  0  4  B
|---|---|---|
  Y  X  X
|---|---|---|
  *
  |

```

Pin 1 Indicator (Dot)

Y = BUILD YEAR

2006 = 6	2008 = 8
2007 = 7	Etc. . . .

XX = ATMEL LOT NUMBER TO COORESPOND WITH
NSEB TRACE CODE LOG BOOK.

(e.g. XX = AA, AB, AC, ...AX, AY, AZ)

SOT23

Top Mark

```
Line 1 -----> |---|---|---|---|
                  4  B  1  B  U
                  |---|---|---|---|
                   *
                   |
```

XX = Device
V = Voltage Indicator
W = Write Protect Feature
U = Material Set

Pin 1 Indicator (Dot)

Bottom Mark

```
|---|---|---|---|
  Y  M  T  C
|---|---|---|---|
```

Y = One Digit Year Code
M = Seal Month
(Use Alpha Designator A-L)
TC = Trace Code

dBGA2

Top Mark

```
Line 1 -----> 04BU
Line 2 -----> YMTC
                  | <--- Pin 1 This Corner
```

XXX = Device
U = Material Set
Y = One Digit Year Code
M = Seal Month (Use Alpha Designator A-L)
TC = Trace Code





11.2. AT24C08B Device Package Marking

dBGA2

Top Mark

```

Line 1 ----->    08BU
Line 2 ----->    YMXX
                | <---- Pin 1 This Corner

```

Y = ONE DIGIT YEAR CODE

```

8: 2008      1: 2011
9: 2009      2: 2012
0: 2010      3: 2013

```

M = SEAL MONTH (USE ALPHA DESIGNATOR A-L)

```

A = JANUARY
B = FEBRUARY
" " " " " " " " " "
J = OCTOBER
K = NOVEMBER
L = DECEMBER

```

XX = TRACE CODE (ATMEL LOT NUMBERS TO CORRESPOND WITH ATK TRACE CODE LOG BOOK)

8-Ultra Thin Mini MAP

Top Mark

```

|---|---|---|
  0  8  B
|---|---|---|
  H  1
|---|---|---|
  Y  X  X
|---|---|---|
  *
  |
  Pin 1 Indicator (Dot)

```

Y = YEAR OF ASSEMBLY

XX = TRACE ATMEL LOT NUMBER TO COORESpond WITH TRACE CODE LOG BOOK.
(e.g. XX = AA, AB, AC,...AX, AY, AZ)

Y = SEAL YEAR

```

6: 2006      0: 2010
7: 2007      1: 2011
8: 2008      2: 2012
9: 2009      3: 2013

```

8-PDIP and 8-SOIC

```

                                Seal Year
                                | Seal Week
Top Mark                        | | |
                                | | |
|---|---|---|---|---|---|---|
 A   T   M   L   H   Y   W   W
|---|---|---|---|---|---|---|
 0   8   B       1
 * Lot Number
|---|---|---|---|---|---|
 |
Pin 1 Indicator (Dot)

```

```

Y = SEAL YEAR      WW = SEAL WEEK
8: 2008           2: 2012           02 = Week 2
9: 2009           3: 2013           04 = Week 4
0: 2010           4: 2014           :: : :::: :
1: 2011           5: 2015           :: : :::: ::
                                     50 = Week 50
                                     52 = Week 52

```

SOT23

```

Top Mark
Line 1 -----> |---|---|---|---|
                  8   B   1   B   U
                  |---|---|---|---|
                  *
                  |
Pin 1 Indicator (Dot)

```

```

BACKSIDE MARKING
|---|---|---|---|
 Y   M   X   X
|---|---|---|---|

```

```

Y = ONE DIGIT YEAR CODE
4: 2004           7: 2007
5: 2005           8: 2008
6: 2006           9: 2009

```

```

M = SEAL MONTH (USE ALPHA DESIGNATOR A-L)
A = JANUARY
B = FEBRUARY
" " " " " " " " " "
J = OCTOBER
K = NOVEMBER
L = DECEMBER

```

XX = TRACE CODE (ATMEL LOT NUMBERS TO CORRESPOND WITH TRACE CODE LOG BOOK)





8-TSSOP

Pin 1 Indicator (Dot)
|
|---|---|---|---|
* H Y W W
|---|---|---|---|
0 8 B 1
|---|---|---|---|

Bottom Mark

|---|---|---|---|---|---|
C O O
|---|---|---|---|---|---|
A A A A A A A
<- Pin 1 Indicator

COO = Country of Origin

Y = SEAL YEAR

WW = SEAL WEEK

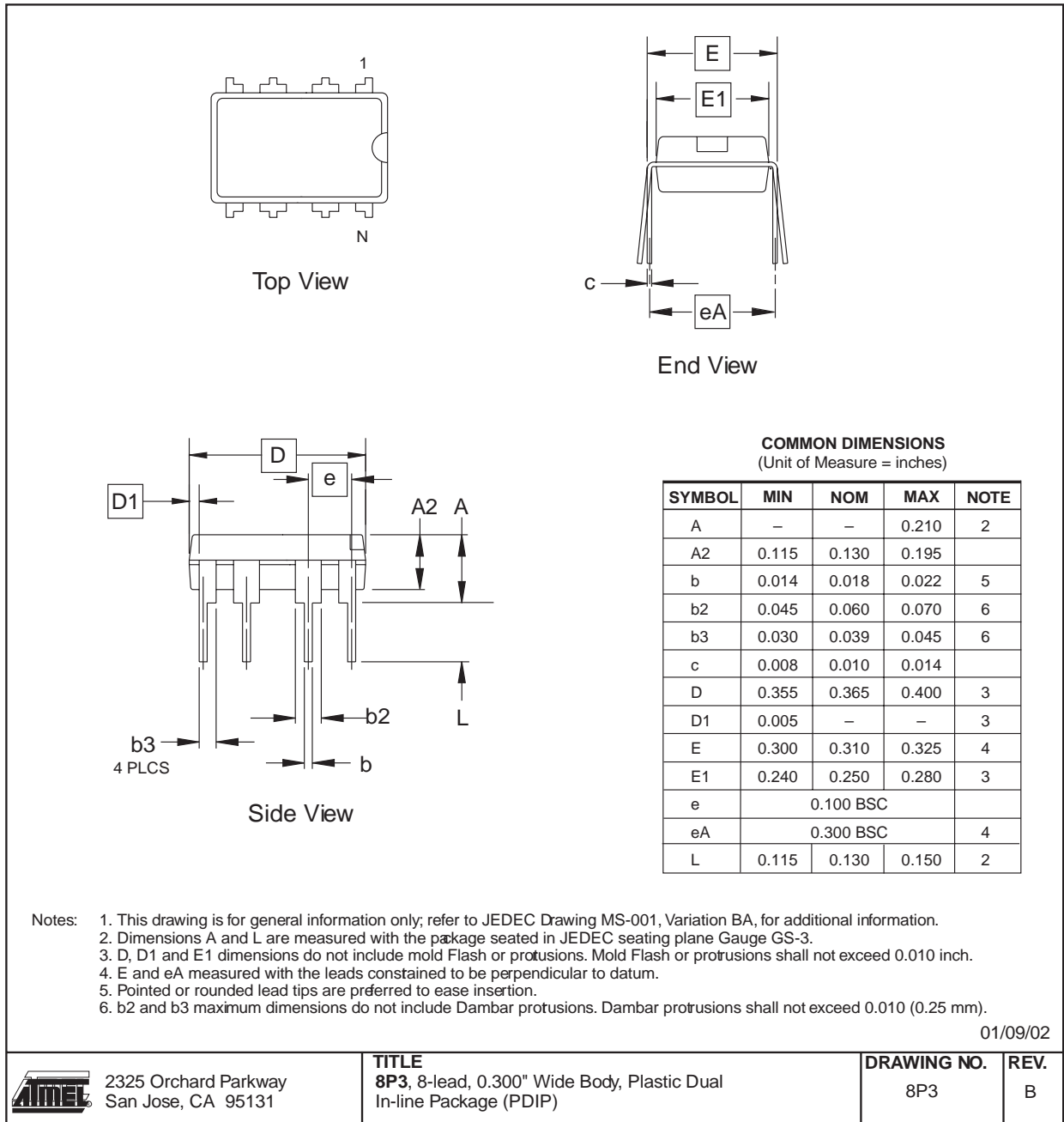
6: 2006	0: 2010	02 = Week 2
7: 2007	1: 2011	04 = Week 4
8: 2008	2: 2012	:: : :::: :
9: 2009	3: 2013	:: : :::: ::
		50 = Week 50
		52 = Week 52



12. Packaging Information

8P3 – PDIP

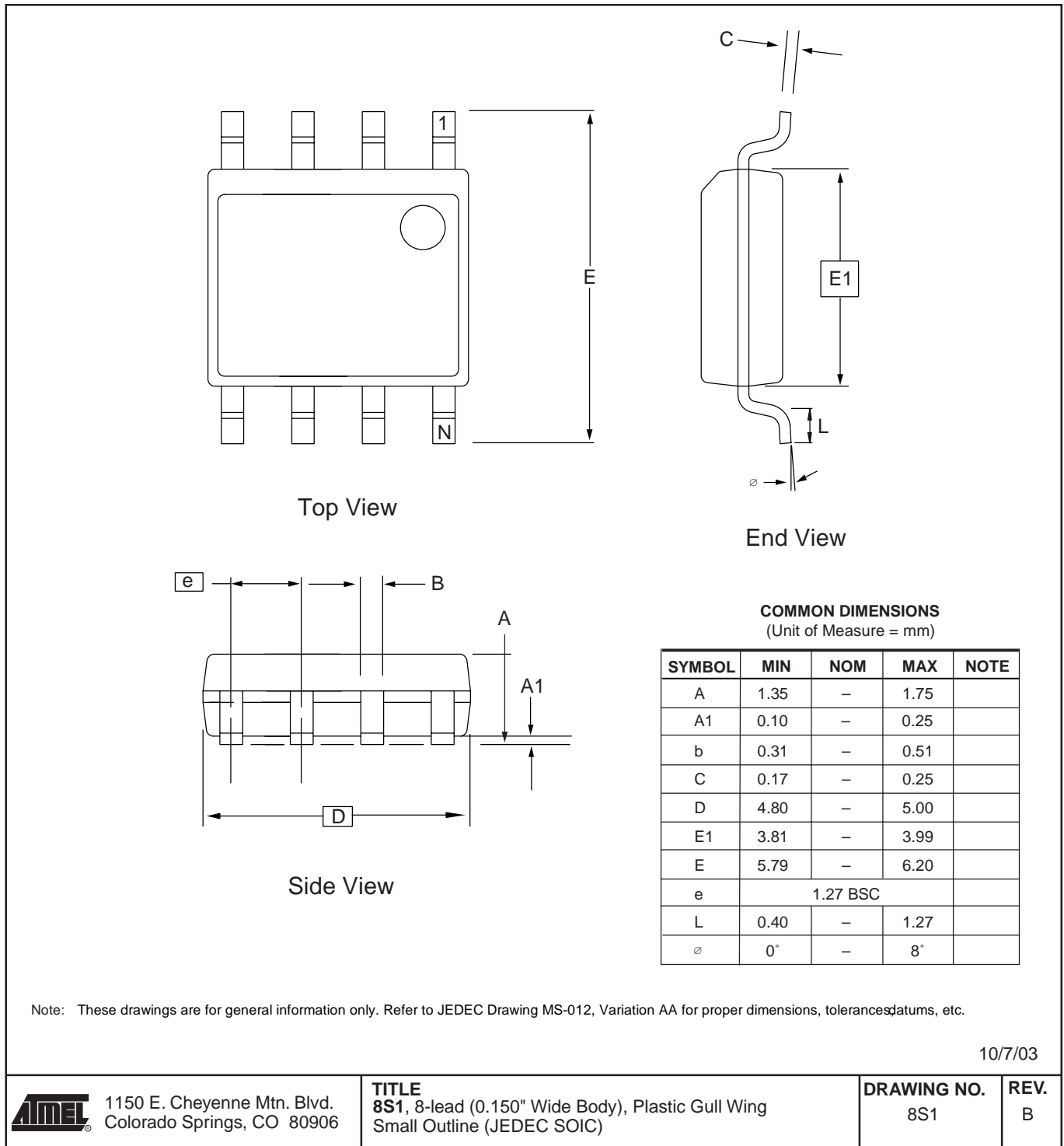
Figure 15. 8P3 – PDIP





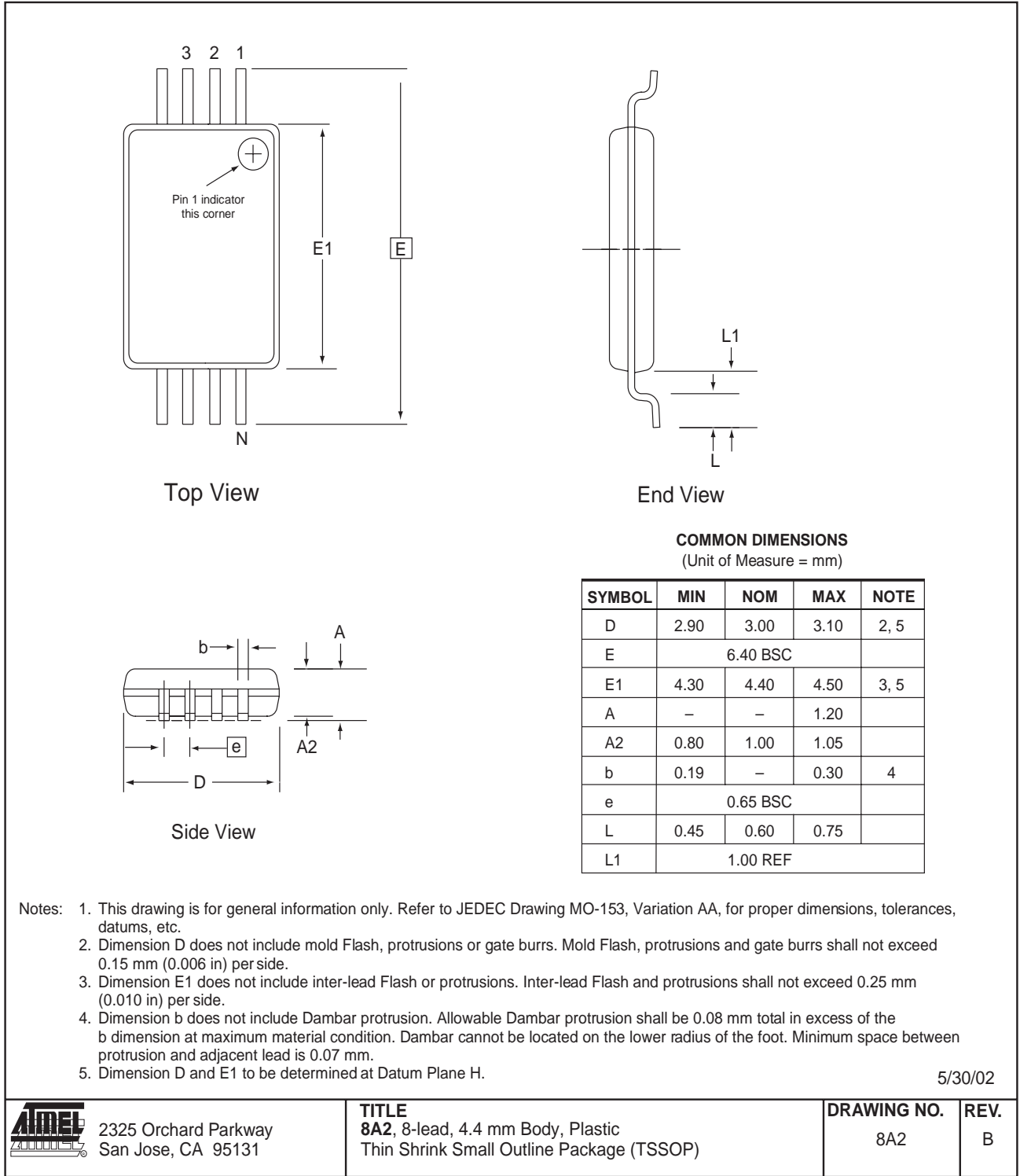
8S1 – JEDEC SOIC

Figure 16. 8S1 – JEDEC SOIC



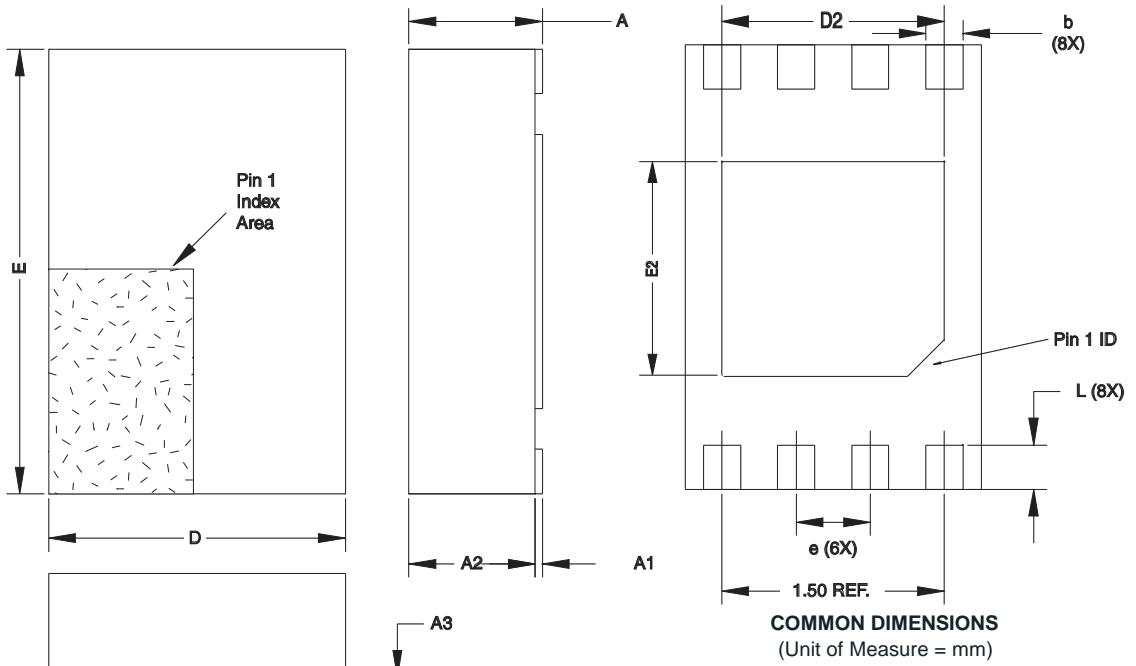
8A2 – TSSOP

Figure 17. 8A2 – TSSOP



8Y6 – Mini Map

Figure 18. 8Y6 – Mini Map



COMMON DIMENSIONS
(Unit of Measure = mm)

SYMBOL	MIN	NOM	MAX	NOTE
D		2.00 BSC		
E		3.00 BSC		
D2	1.40	1.50	1.60	
E2	-	-	1.40	
A	-	-	0.60	
A1	0.0	0.02	0.05	
A2	-	-	0.55	
A3		0.20 REF		
L	0.20	0.30	0.40	
e		0.50 BSC		
b	0.20	0.25	0.30	2

- Notes:
1. This drawing is for general information only. Refer to JEDEC Drawing MO-229, for proper dimensions, tolerances, datums, etc.
 2. Dimension b applies to metallized terminal and is measured between 0.15 mm and 0.30 mm from the terminal tip. If the terminal has the optional radius on the other end of the terminal, the dimension should not be measured in that radius area.
 3. Soldering the large thermal pad is optional, but not recommended. No electrical connection is accomplished to the device through this pad, so if soldered it should be tied to ground

10/16/07



2325 Orchard Parkway
San Jose, CA 95131

TITLE

8Y6, 8-lead 2.0 x 3.0 mm Body, 0.50 mm Pitch, Ultra Thin Mini-Map, Dual No Lead Package (DFN) ,(MLP 2x3)

DRAWING NO.

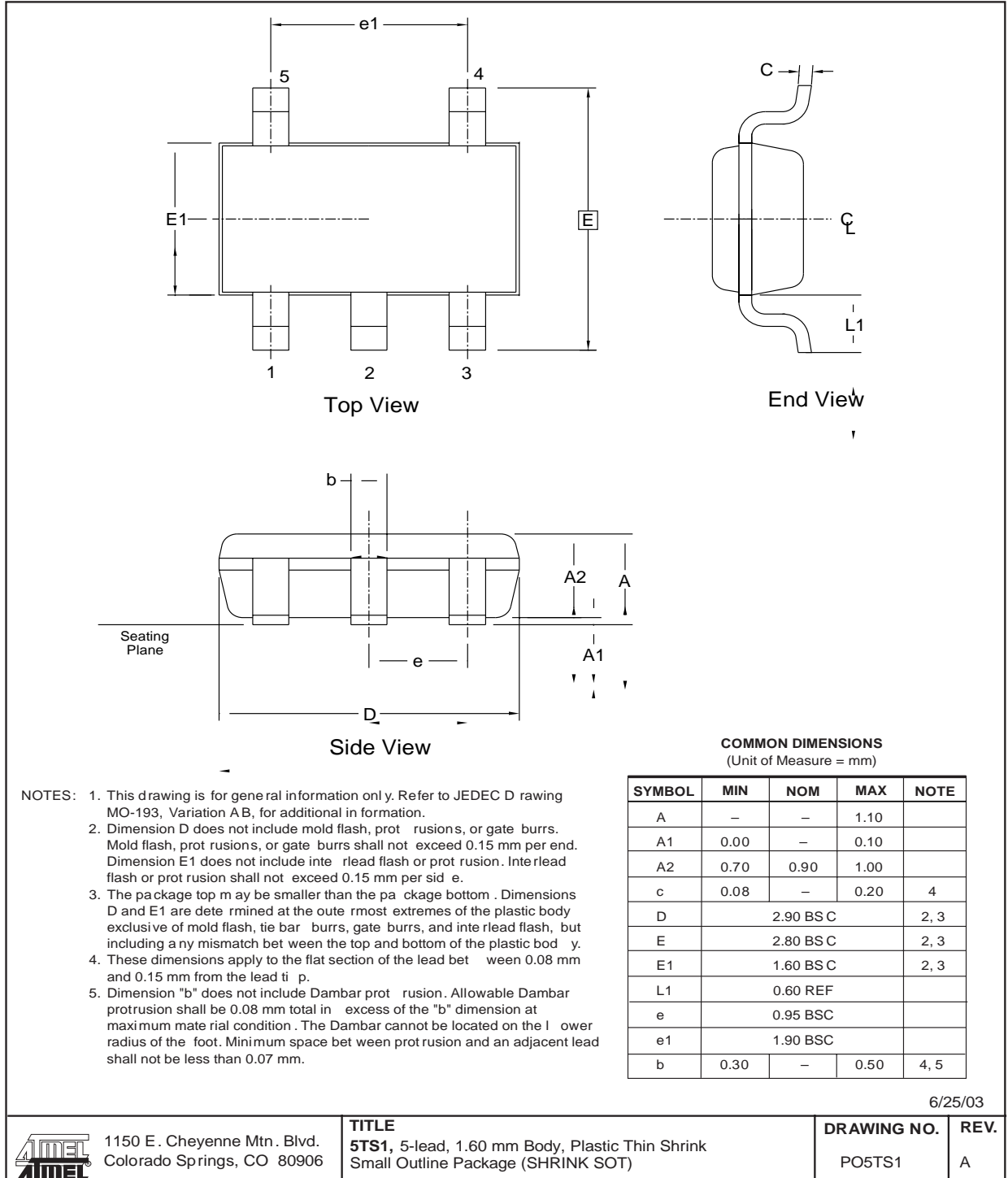
8Y6

REV.

D

5TS1 – SOT23

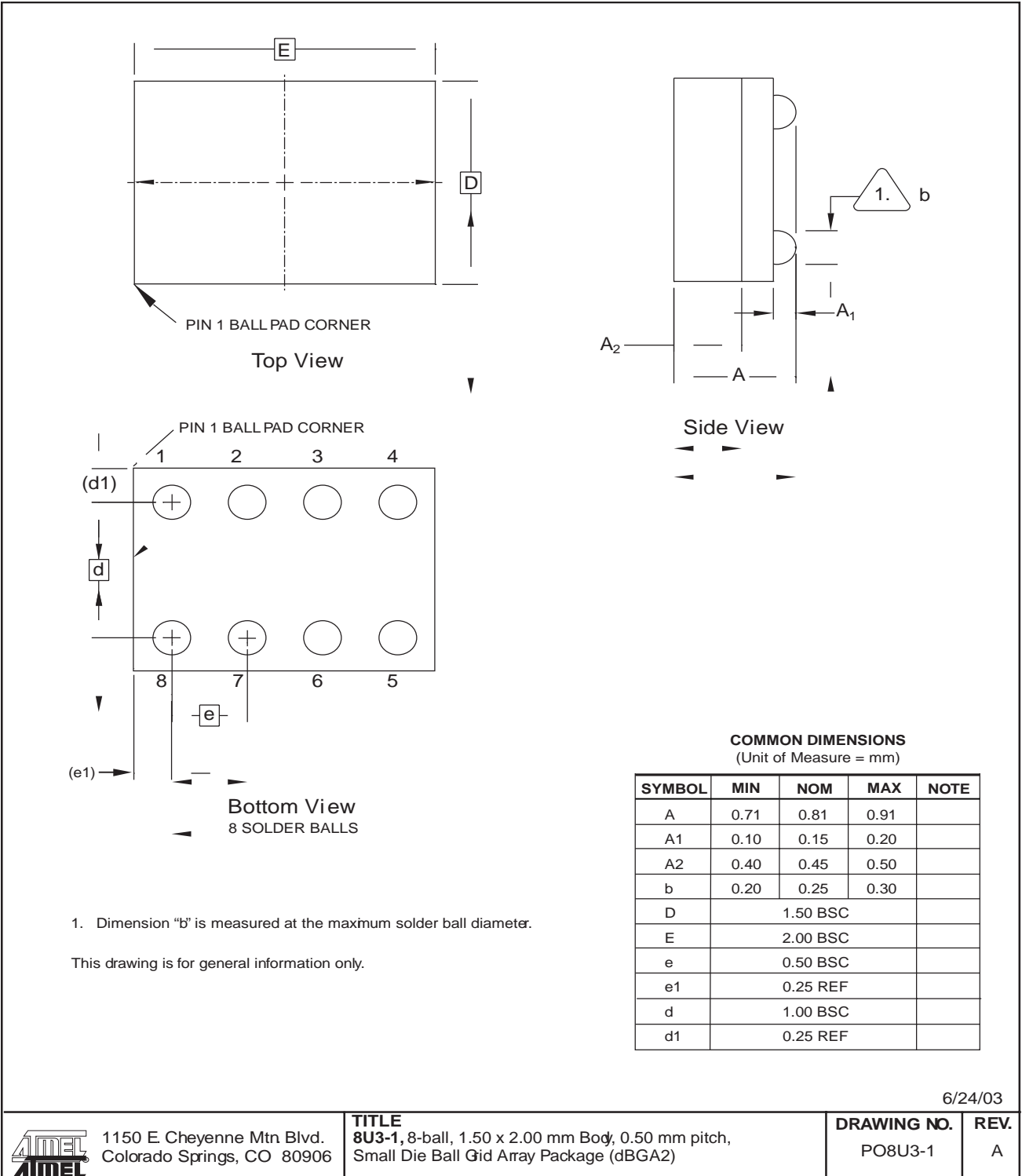
Figure 19. 5TS1 – SOT23





8U3-1 – Dbga2

Figure 20. 8U3-1 – Dbga2



13. Revision History*Table 7. Revision History*

Doc. Rev.	Date	Comments
5226G	07/2012	Not recommended for new design. Use AT24C04C/08C.
5226G	11/2009	Corrected AC Characteristics, T_{AA} minimum value from 0.55 to 0.05
5226F	5/2009	Corrected AT24C08B Part Marking Scheme
5226E	12/2008	Add AT24C08B Device Package Marking Details and removed Bumped wafer offering.
5226D	08/2008	Update into MS Format.
5226D	07/2008	Removed 'Preliminary' status
5226C	02/2008	Text changes on page 4 and 9
5226B	08/2007	Updated to new template Updated common Figures Added Package Marking tables
5226A	06/2007	Initial document release



Headquarters

Atmel Corporation

2325 Orchard Parkway
San Jose, CA 95131
USA
Tel: 1(408) 441-0311
Fax: 1(408) 487-2600

International

Atmel Asia

Room 1219
Chinachem Golden Plaza
77 Mody Road Tsimshatsui
East Kowloon
Hong Kong
Tel: (852) 2721-9778
Fax: (852) 2722-1369

Atmel Europe

Le Krebs
8, Rue Jean-Pierre Timbaud
BP 309
78054 Saint-Quentin-en-
Yvelines Cedex
France
Tel: (33) 1-30-60-70-00
Fax: (33) 1-30-60-71-11

Atmel Japan

9F, Tonetsu Shinkawa Bldg.
1-24-8 Shinkawa
Chuo-ku, Tokyo 104-0033
Japan
Tel: (81) 3-3523-3551
Fax: (81) 3-3523-7581

Product Contact

Web Site

www.atmel.com

Technical Support

s_eeprom@atmel.com

Sales Contact

www.atmel.com/contacts

Literature Requests

www.atmel.com/literature

Disclaimer: The information in this document is provided in connection with Atmel products. No license, express or implied, by estoppel or otherwise, to any intellectual property right is granted by this document or in connection with the sale of Atmel products. **EXCEPT AS SET FORTH IN ATMEL'S TERMS AND CONDITIONS OF SALE LOCATED ON ATMEL'S WEB SITE, ATMEL ASSUMES NO LIABILITY WHATSOEVER AND DISCLAIMS ANY EXPRESS, IMPLIED OR STATUTORY WARRANTY RELATING TO ITS PRODUCTS INCLUDING, BUT NOT LIMITED TO, THE IMPLIED WARRANTY OF MERCHANTABILITY, FITNESS FOR A PARTICULAR PURPOSE, OR NON-INFRINGEMENT. IN NO EVENT SHALL ATMEL BE LIABLE FOR ANY DIRECT, INDIRECT, CONSEQUENTIAL, PUNITIVE, SPECIAL OR INCIDENTAL DAMAGES (INCLUDING, WITHOUT LIMITATION, DAMAGES FOR LOSS OF PROFITS, BUSINESS INTERRUPTION, OR LOSS OF INFORMATION) ARISING OUT OF THE USE OR INABILITY TO USE THIS DOCUMENT, EVEN IF ATMEL HAS BEEN ADVISED OF THE POSSIBILITY OF SUCH DAMAGES.** Atmel makes no representations or warranties with respect to the accuracy or completeness of the contents of this document and reserves the right to make changes to specifications and product descriptions at any time without notice. Atmel does not make any commitment to update the information contained herein. Unless specifically provided otherwise, Atmel products are not suitable for, and shall not be used in, automotive applications. Atmel's products are not intended, authorized, or warranted for use as components in applications intended to support or sustain life.

© 2009 Atmel Corporation. All rights reserved. Atmel®, Atmel logo and combinations thereof, and others are registered trademarks or trademarks of Atmel Corporation or its subsidiaries. Other terms and product names may be trademarks of others.