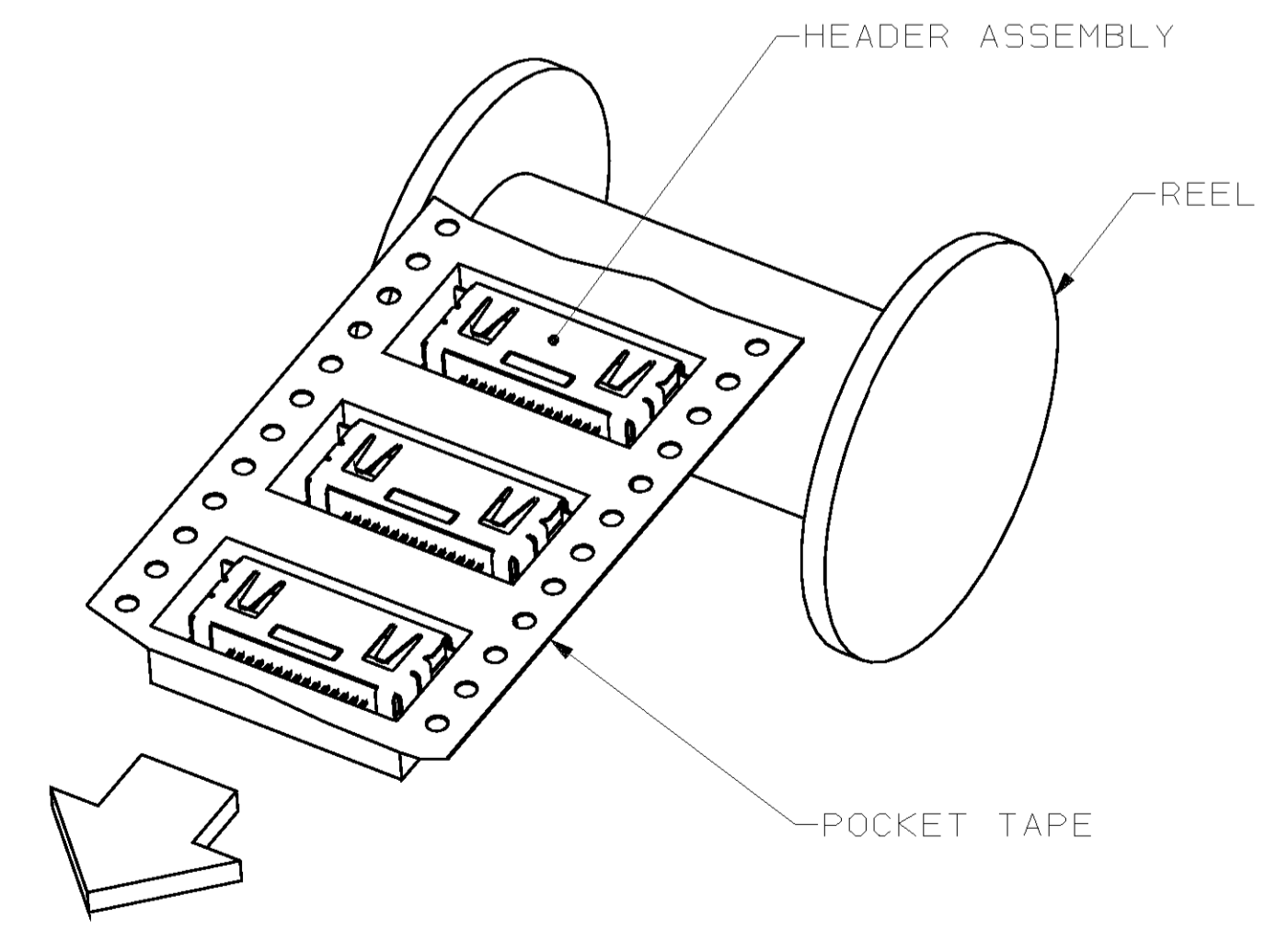
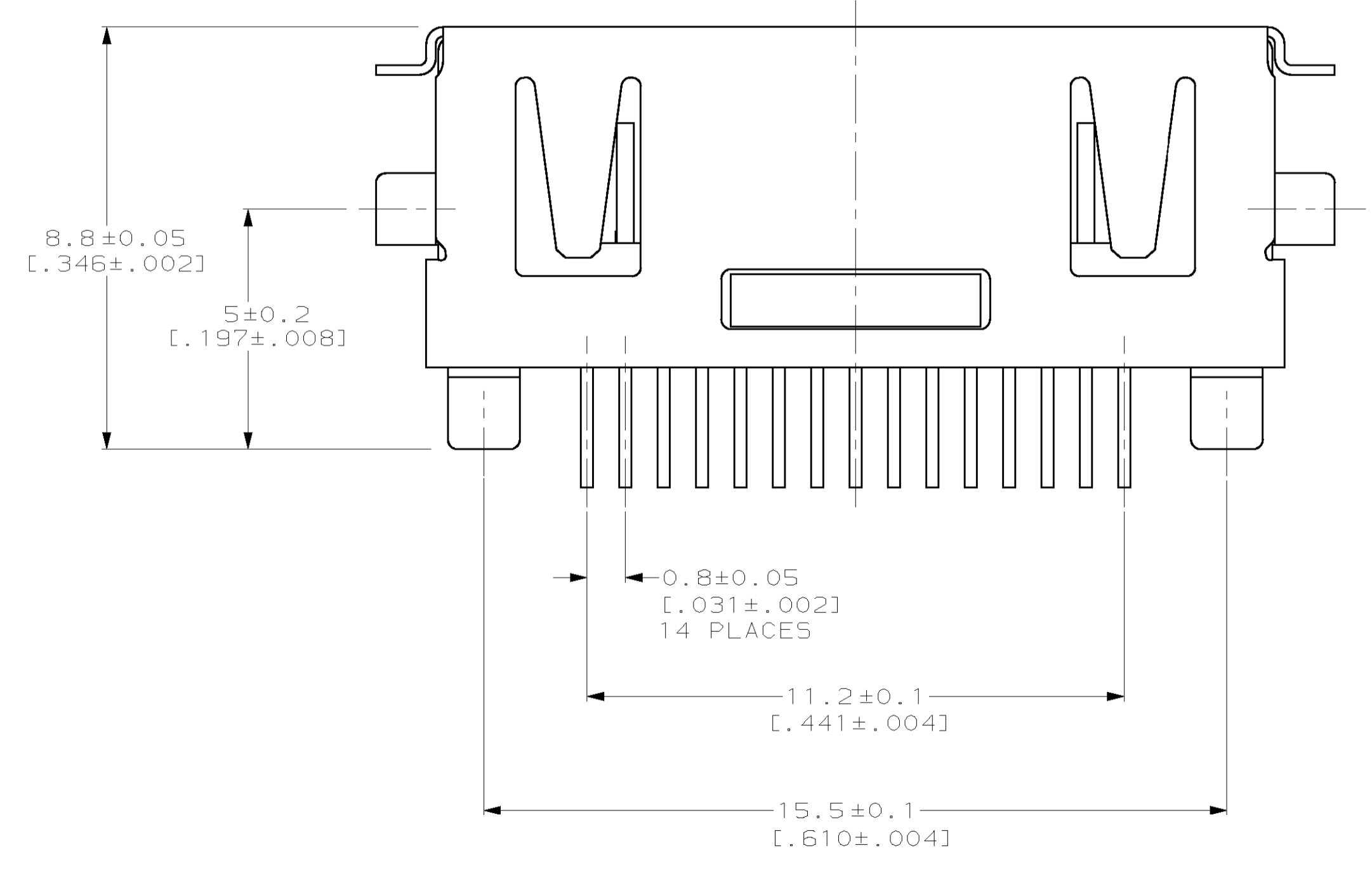
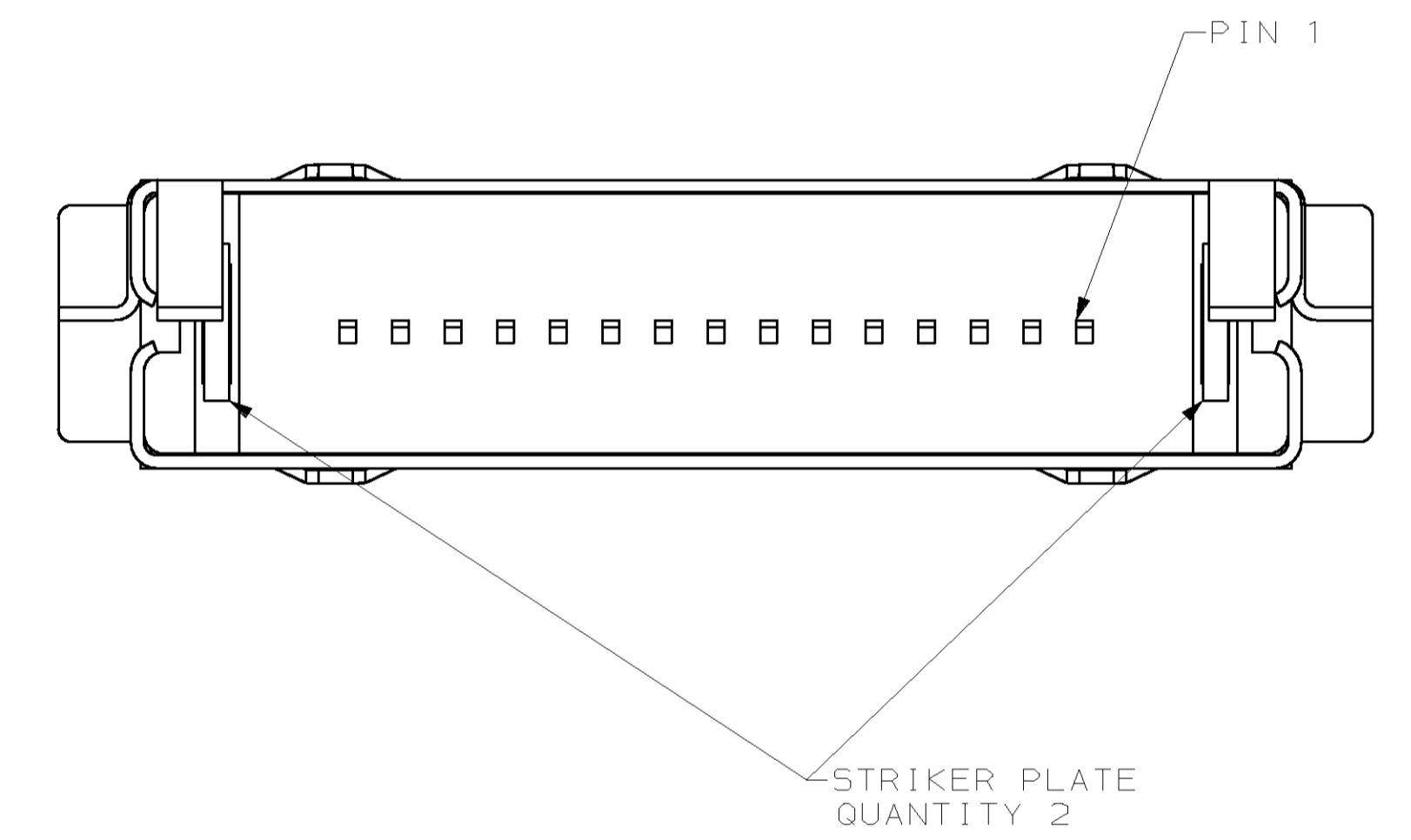
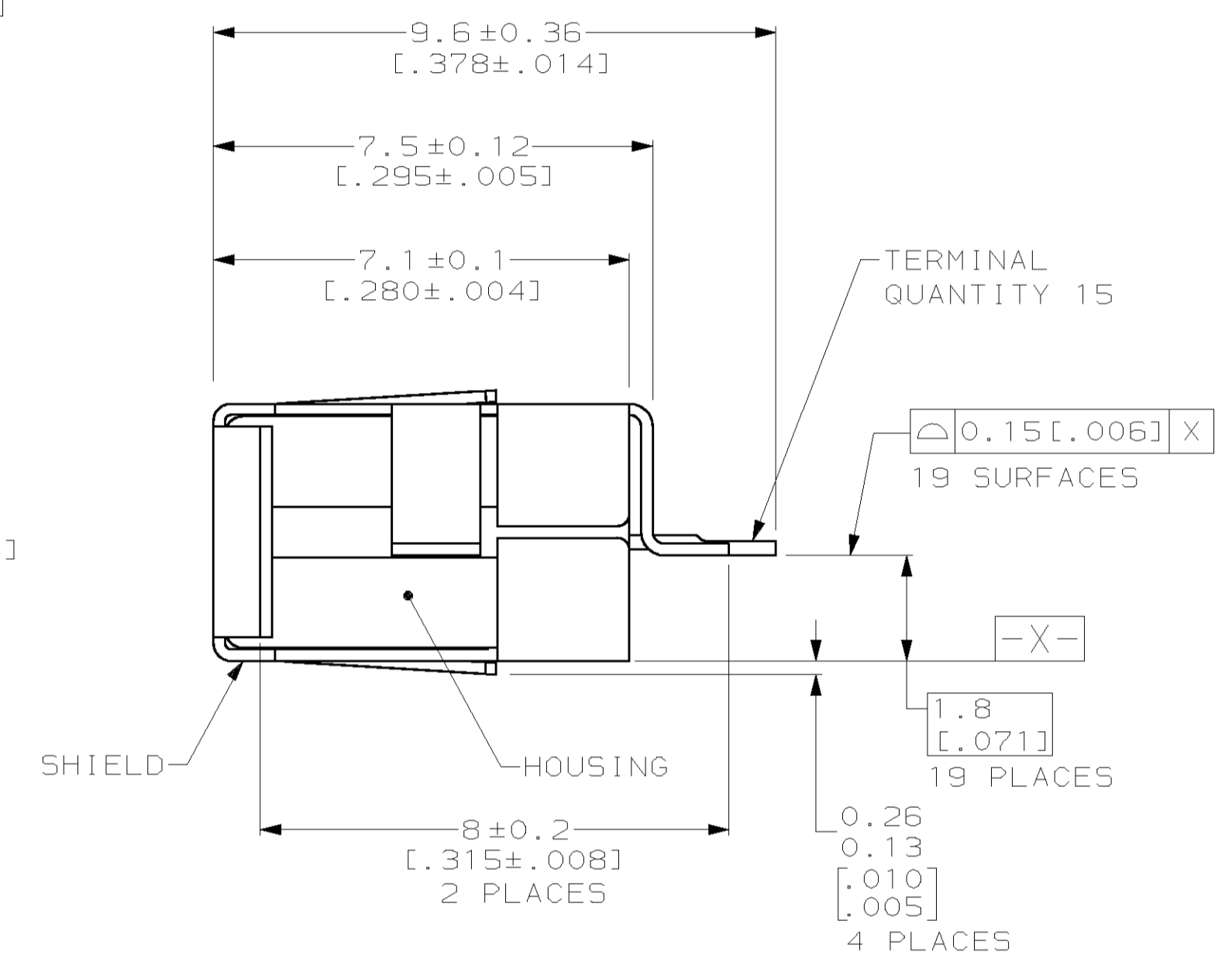
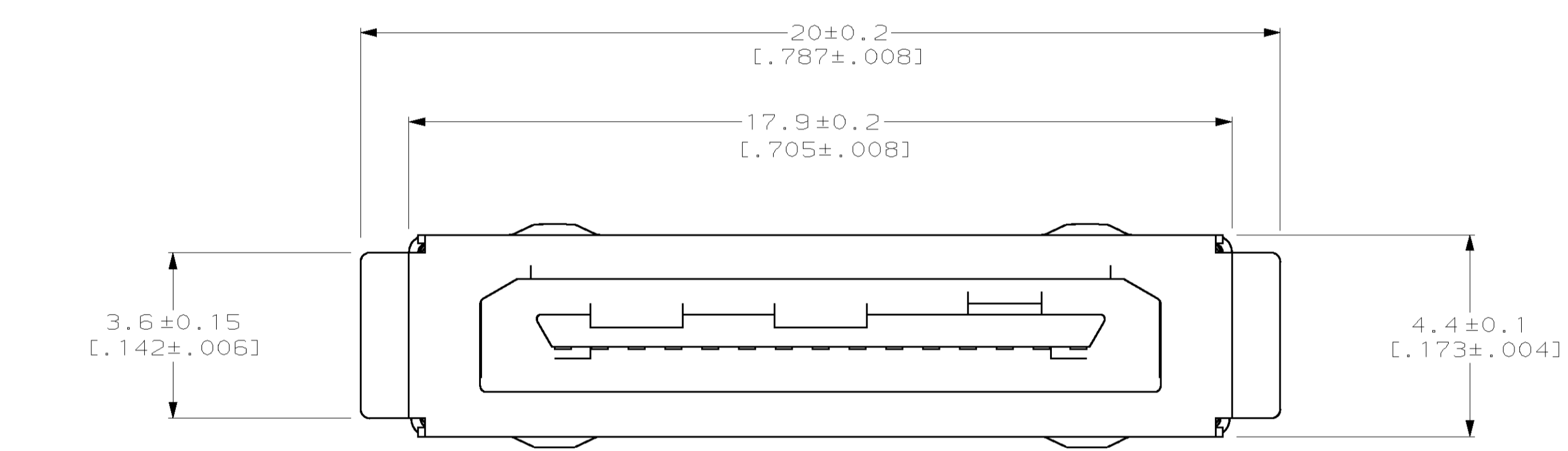
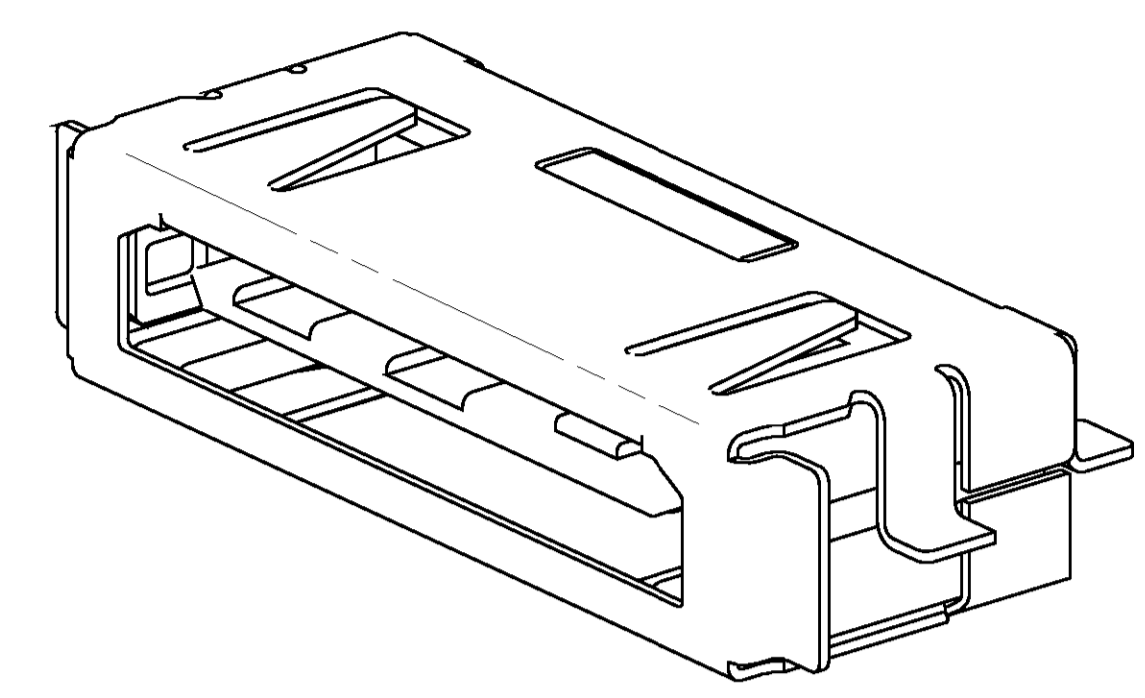
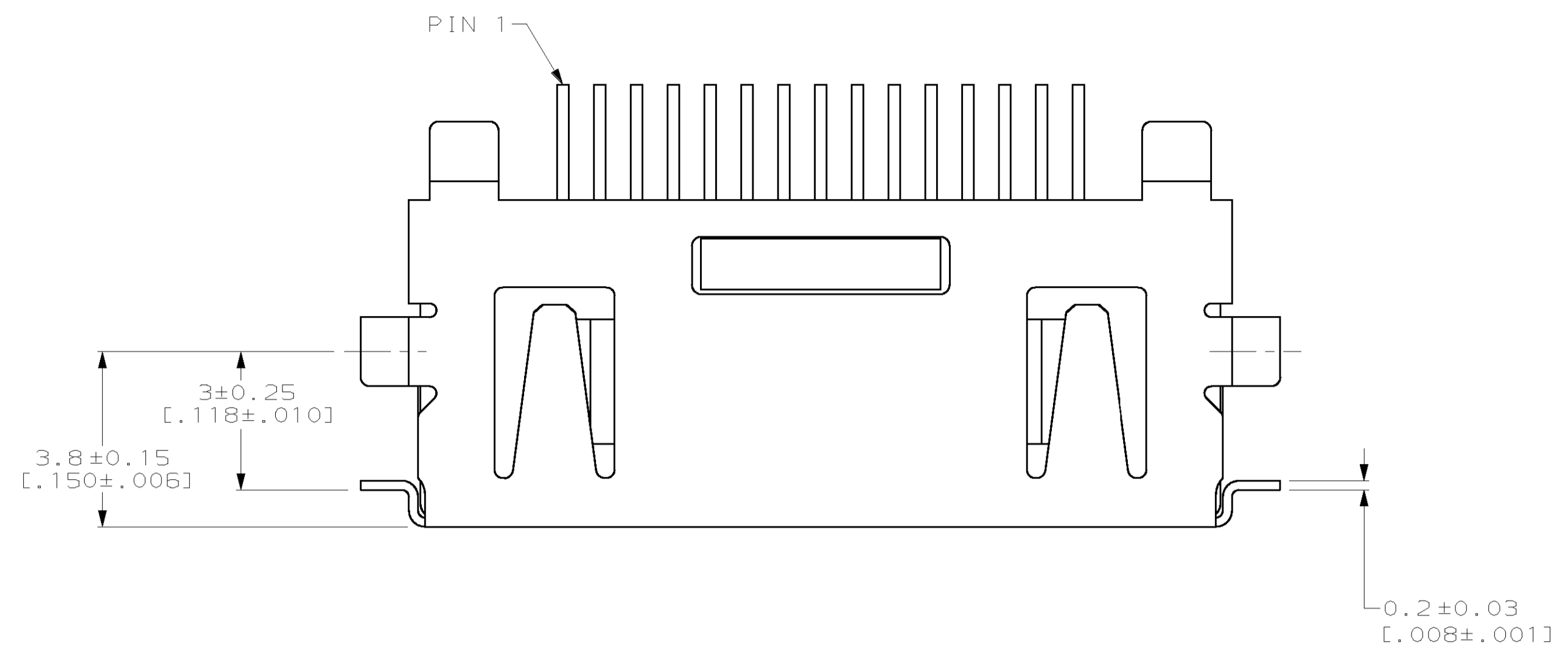


LOC	DIST	REV	DESCRIPTION	DATE	BY	APVD
AA	23	C	REVISED PER EC 001C-0012-01	12JAN01	DLDAWR	

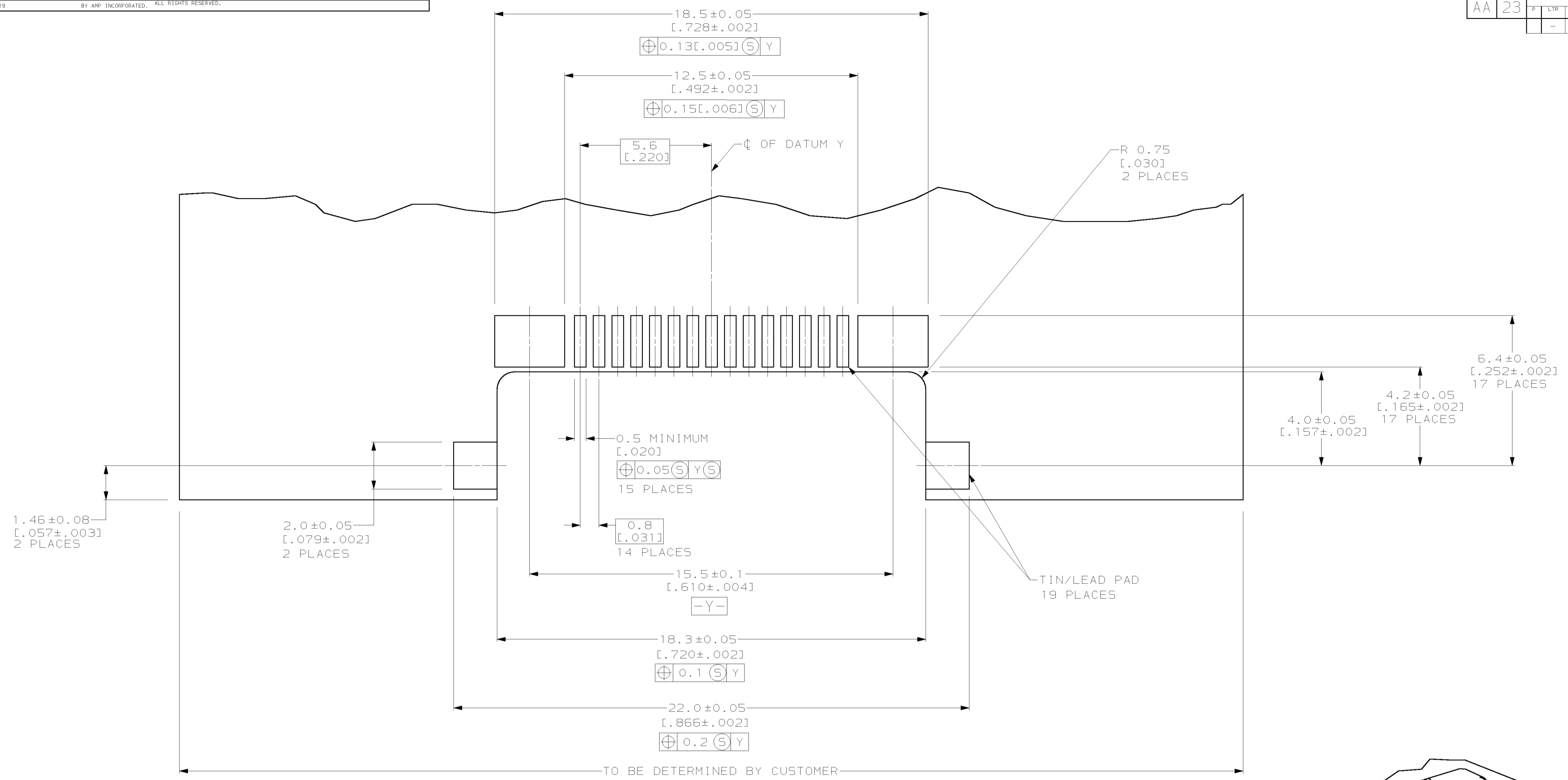
⚠ MATERIAL: HOUSING - NYLON MOLDING COMPOUND, 94V-0, GLASS FILLED, BLACK. TERMINALS - 0.25(.010) THICK BRASS PLATED WITH 0.254 MICRONS(.000010) MINIMUM THICK GOLD OVER 1.016 MICRONS (.000040) MINIMUM THICK PALADIUM NICKEL OVER 0.05 MICRONS(.000002) MINIMUM THICK GOLD IN CONTACT AREAS AND 3.8 MICRONS(.000150) MINIMUM THICK TIN-LEAD ON SOLDER TINES OVER 2.54 MICRONS(.000100) MINIMUM THICK NICKEL UNDERPLATE. SHIELD - STAINLESS STEEL, TIN-LEAD PLATED STRIKER PLATE- STAINLESS STEEL.

② DIMENSIONS ARE MAXIMUM UNLESS OTHERWISE SPECIFIED.

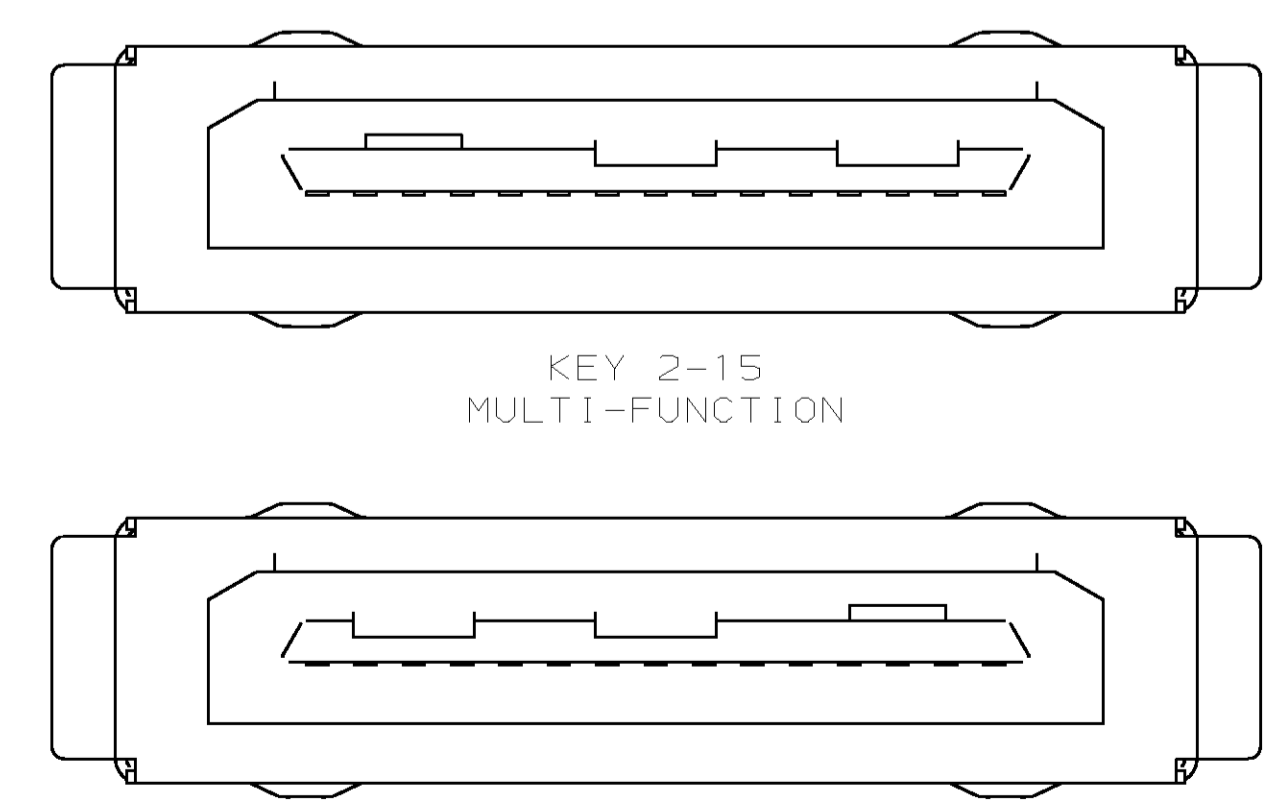
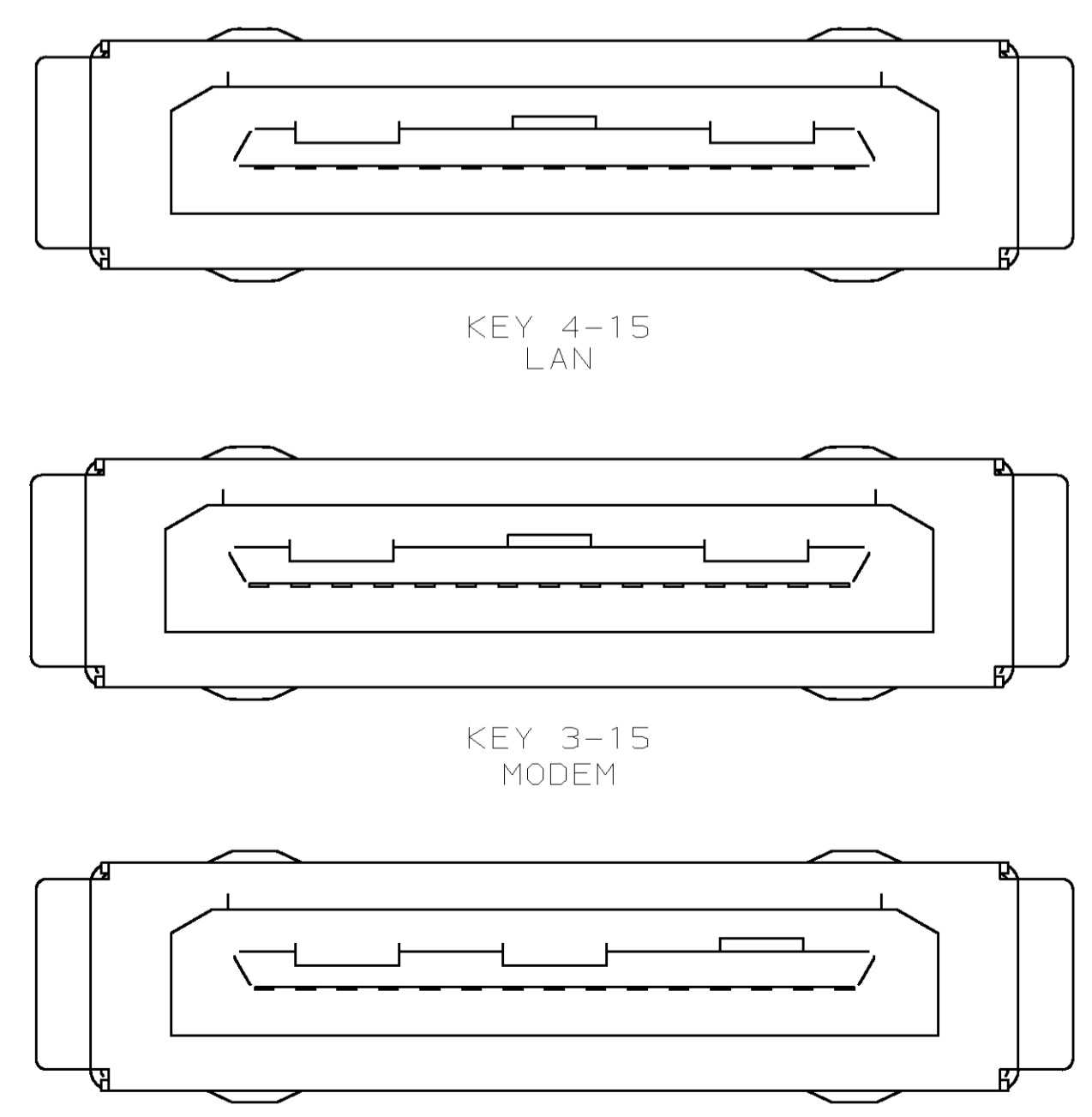


PACKAGING	KEYING OPTION	PART NUMBER
TAPE & REEL	KEY 5-15	5-558556-5
TAPE & REEL	KEY 4-15	5-558556-4
TAPE & REEL	KEY 3-15	5-558556-3
TAPE & REEL	KEY 2-15	5-558556-2
TAPE & REEL	KEY 1-15	5-558556-1
TRAY	KEY 5-15	558556-5
TRAY	KEY 4-15	558556-4
TRAY	KEY 3-15	558556-3
TRAY	KEY 2-15	558556-2
TRAY	KEY 1-15	558556-1

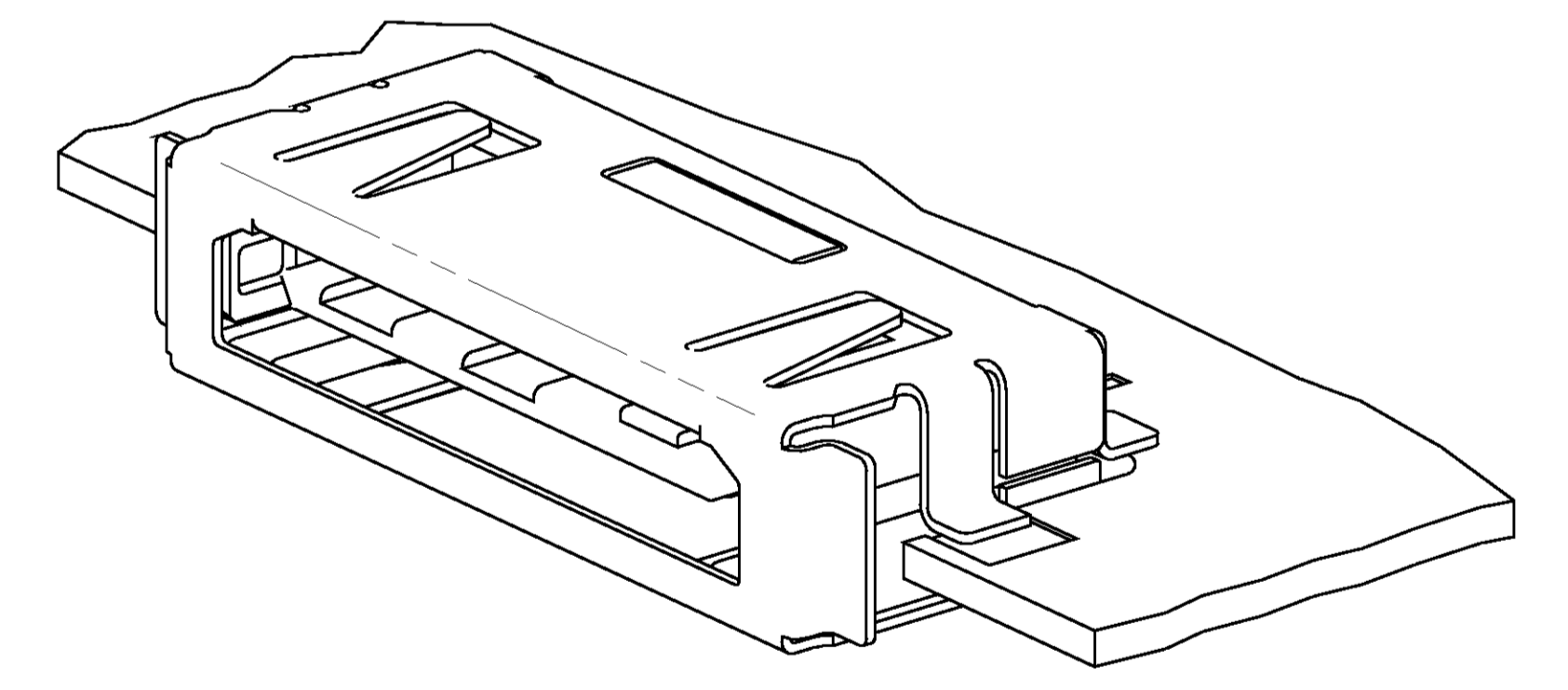
<small>THIS DRAWING IS A CONTROLLED DOCUMENT FOR AMP INCORPORATED. IT IS SUBJECT TO CHANGE AND THE CONTROLLING ENGINEERING ORGANIZATION SHALL BE CONTACTED FOR THE LATEST REVISION.</small>		DWG: R. BURCH/UTA CHK: N. JONES APVD: J. TRAMMEL DATE: 24 SEPT 96 DATE: 11 OCT 96 DATE: 18 OCT 96	AMP Incorporated Harrisburg, PA 17105-3608
DIMENSIONS: mm (INCHES)	TOLERANCES UNLESS OTHERWISE SPECIFIED: 0 PLC ±.010 1 PLC ±.010 2 PLC ±.010 3 PLC ±.010 4 PLC ±.010 ANGLES ±.010	NAME: J. TRAMMEL PRODUCT SPEC: - APPLICATION SPEC: - WEIGHT: - CUSTOMER DRAWING	AMP AMP Incorporated Harrisburg, PA 17105-3608 NAME: HEADER ASSEMBLY, SHIELDED, SERIES III INFOPORT™ SIZE: A1 CAGE CODE: 00779 DRAWING NO: C-558556 SCALE: 10:1 SHEET: 1 OF 2 REV: C



SUGGESTED PC BOARD MOUNTING DIMENSIONS



KEYING OPTIONS SCALE 8:1



<small>THIS DRAWING IS A CONTROLLED DOCUMENT FOR AMP INCORPORATED. IT IS SUBJECT TO CHANGE AND THE CONTROLLING ENGINEERING ORGANIZATION SHALL BE CONTACTED FOR THE LATEST REVISION.</small>		DWN: R. BURCH/UTA 24 SEPT 96 CHK: N. JONES 11 OCT 96 APVD: J. TRAMMEL 18 OCT 96	AMP AMP Incorporated Harrisburg, PA 17105-3608
DIMENSIONS: mm [INCHES]	TOLERANCES UNLESS OTHERWISE SPECIFIED: 0 PLC ± 1 PLC ± 2 PLC ± 3 PLC ± 4 PLC ± ANGLES ±	NAME: HEADER ASSEMBLY, SHIELDED, SERIES III INFOPORT™ PRODUCT SPEC: - APPLICATION SPEC: - WEIGHT: -	SIZE: A1 CAGE CODE: 00779 DRAWING NO: C-558556 SCALE: 10:1 SHEET 2 OF 2 REV C
MATERIAL: FINISH:		CUSTOMER DRAWING	