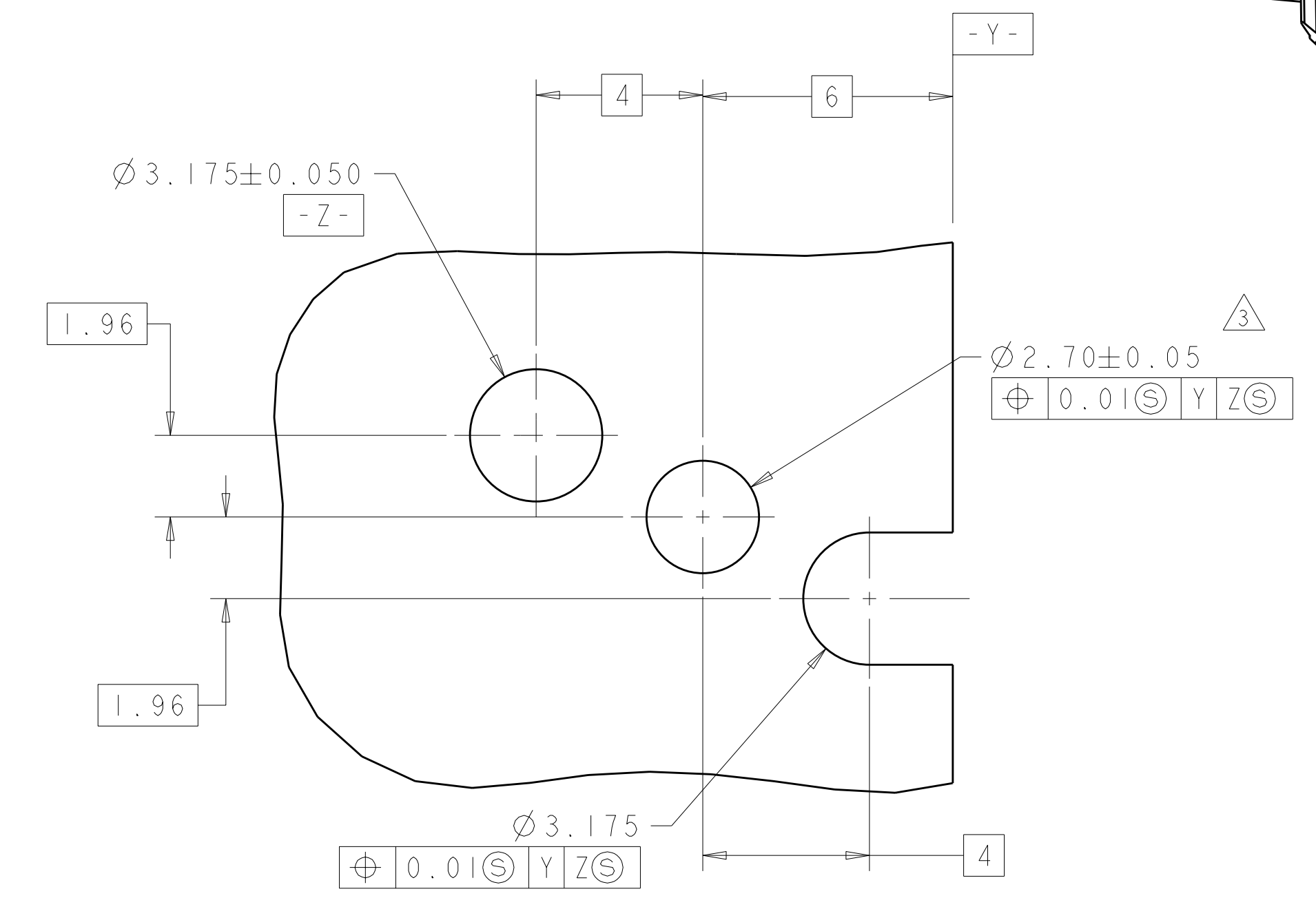
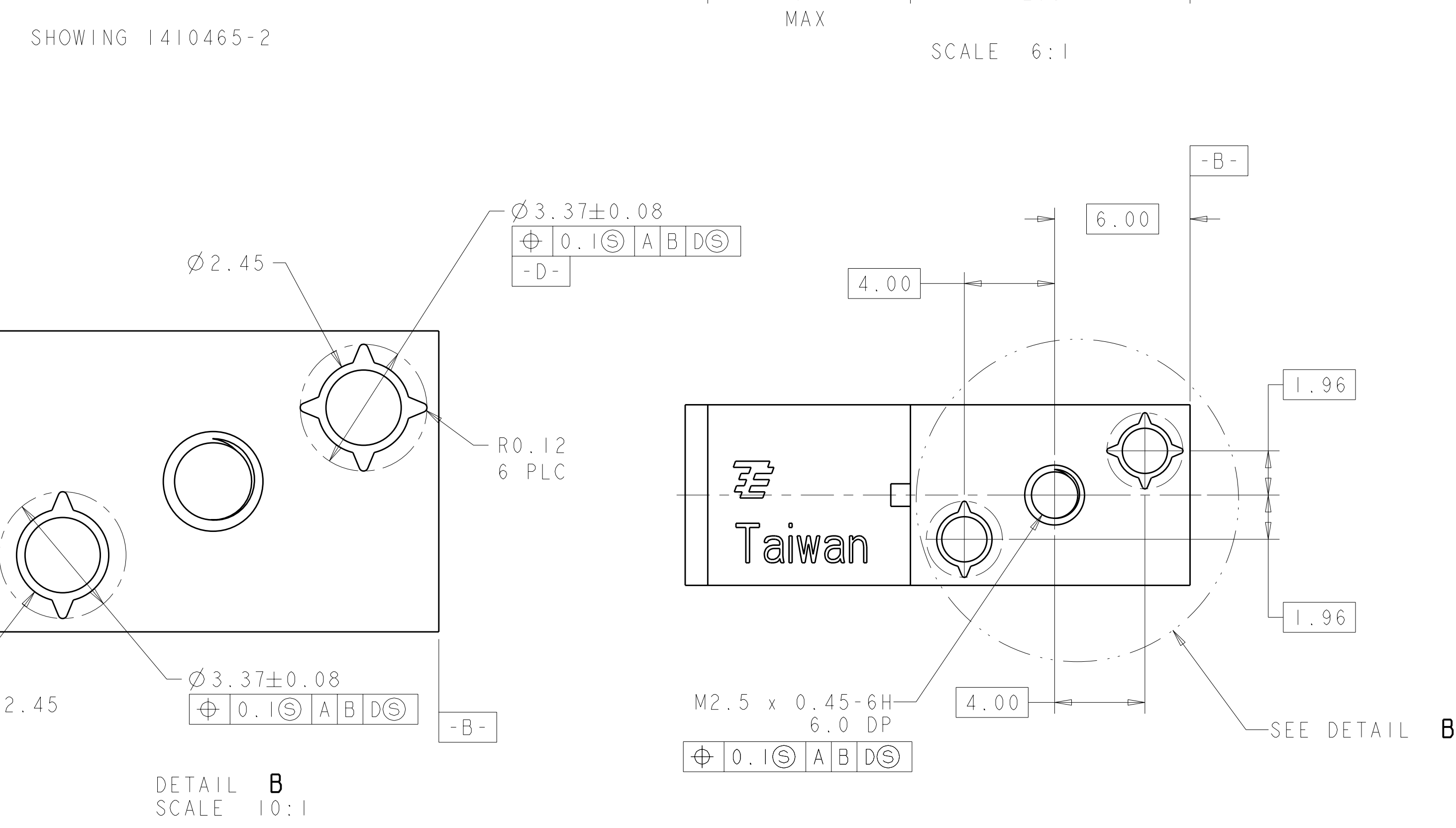
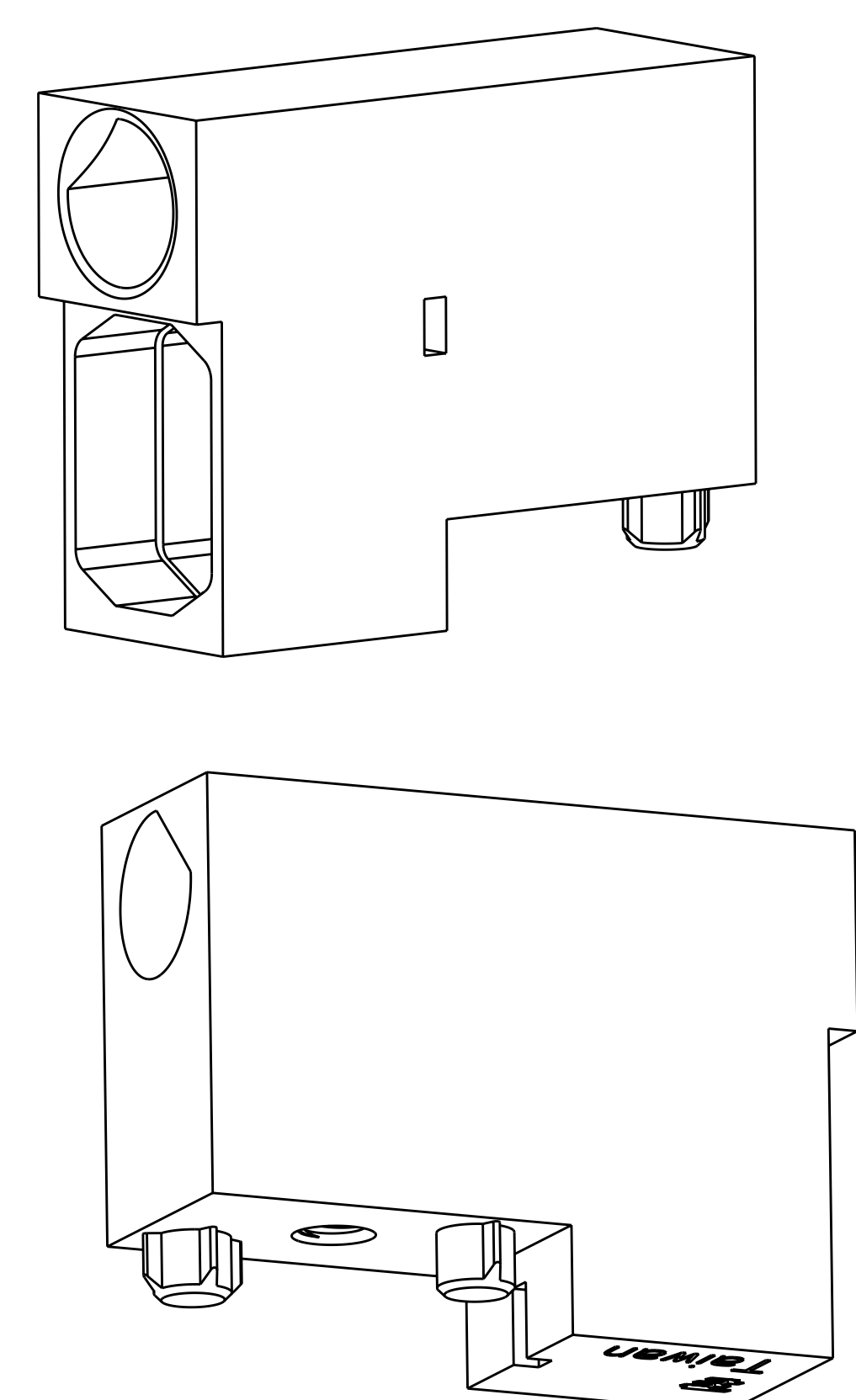
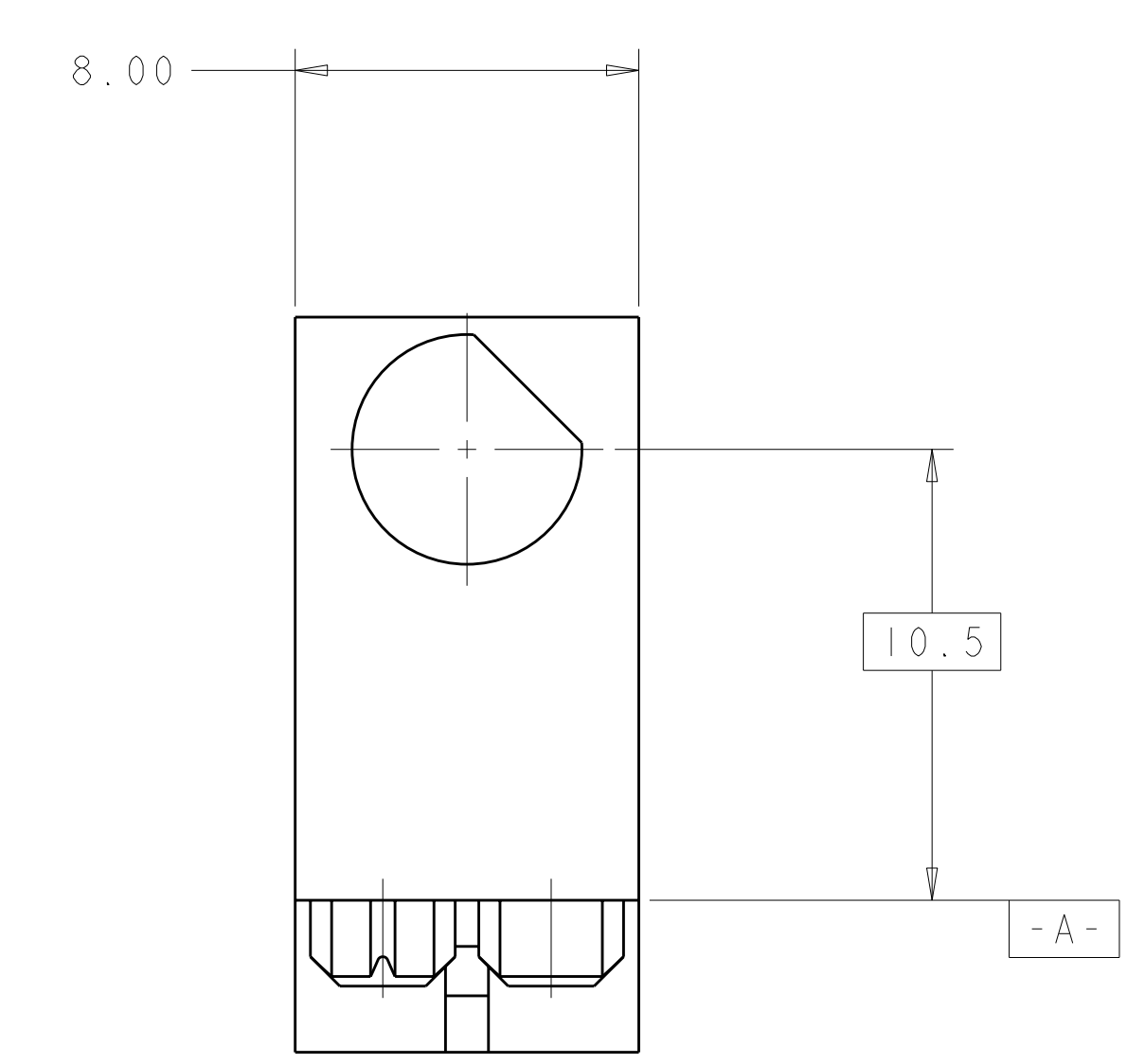
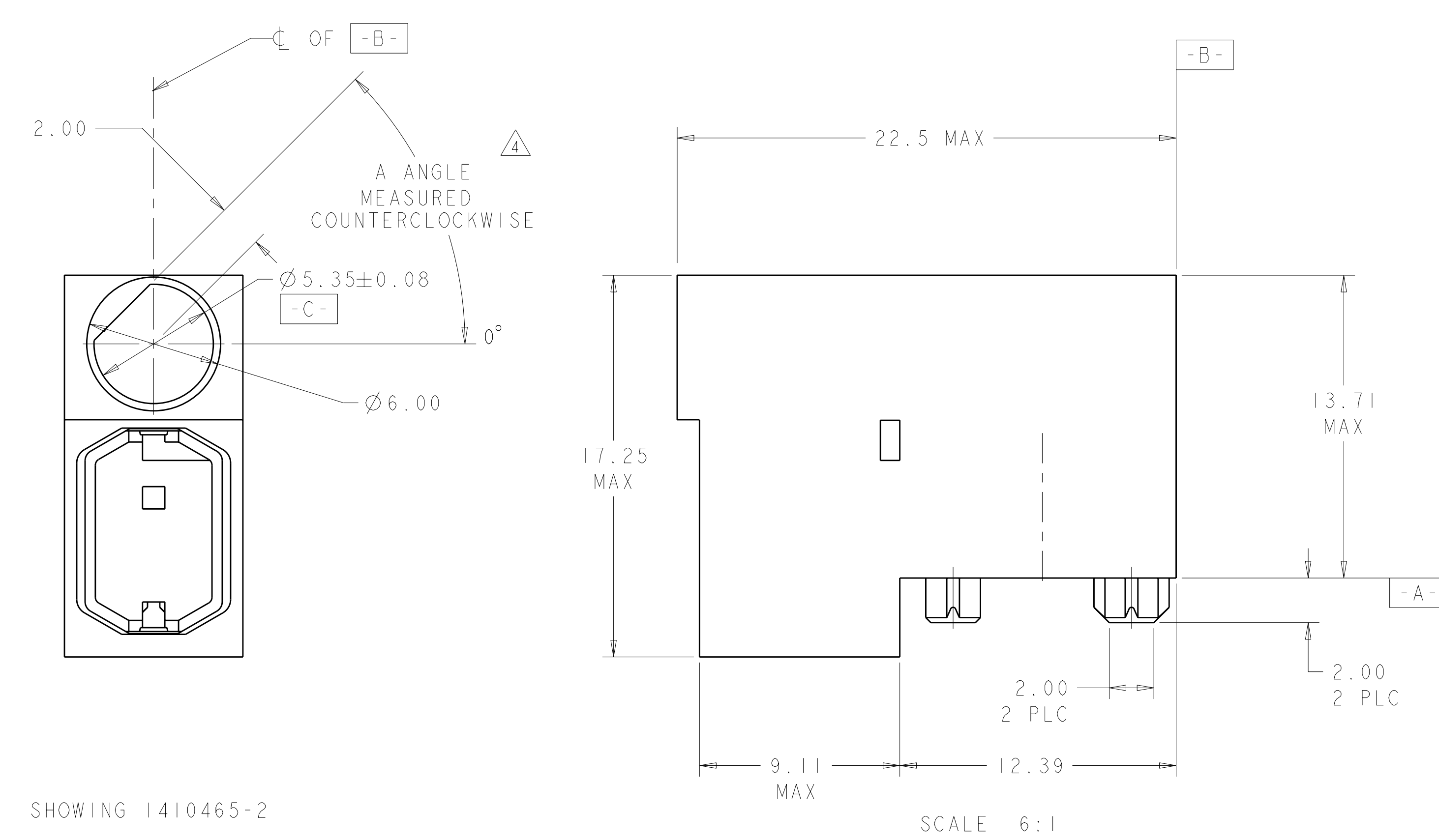


LOC	DIST	REVISIONS			
AD	00	REV	DATE	BY	APPD
		1	PROPOSED	24APR09	RT GG
		2	REVISED NOTE 1 AND 2	12MAY2009	RT GG
		A	RELEASED	16JUN2009	RT RP
		B	REV PER ECO-10-006114	13APR2010	BC DY

- ZINC ALLOY
 - FINISH: CLEAR CHROMATE
- △ HOLE FOR POSITIVE RETENSION SCREW
 △ DASH NUMBERS INDICATE KEY ORIENTATION



PCB LAYOUT
 CONNECTOR SIDE
 ALL HOLES AND FEATURES
 (ARE NON PLATED THROUGH HOLES)

FINISH	A°	PART NUMBER
	NO FLAT	1410465-9
	315°	1410465-8
	270°	1410465-7
	225°	1410465-6
	180°	1410465-5
	135°	1410465-4
	90°	1410465-3
	45°	1410465-2
	0°	1410465-1

DIMENSIONS: mm 		TOLERANCES UNLESS OTHERWISE SPECIFIED: 9 PLC ± 8 PLC ±0.13 5 PLC ±0.013 4 PLC ± ANGLES ±		DWN R. TREA 24APR2009 CHK G. GRIFFITH 24APR2009 APVD D. YI 13APR2010 NAME PRODUCT SPEC APPLICATION SPEC WEIGHT CUSTOMER DRAWING		Tyco Electronics Harrisburg, PA 17105-3608 KEYING/GUIDE RECEPTACLE, VITA 41 SIZE CAGE CODE DRAWING NO RESTRICTED TO A 100779 C=1410465 SCALE 5:1 SHEET 1 OF 1 REV B	
-----------------------	--	---	--	--	--	---	--