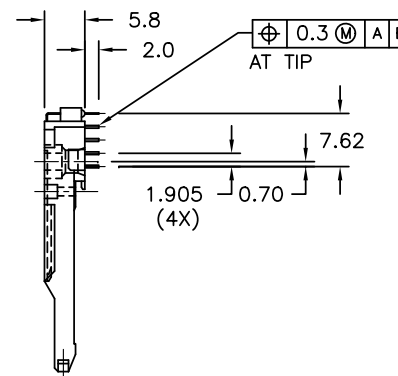
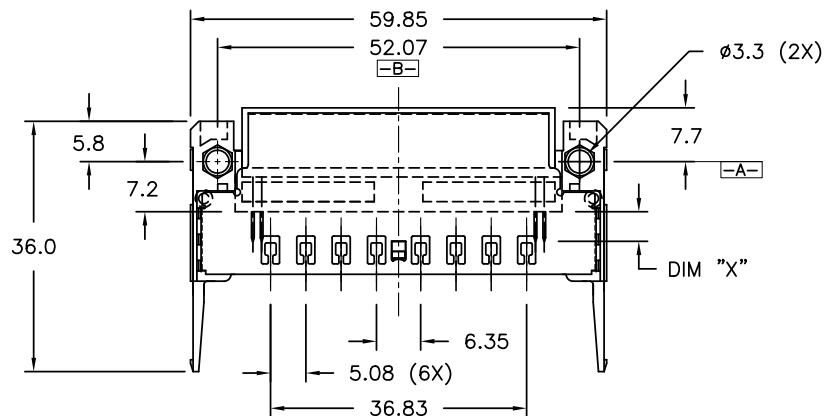
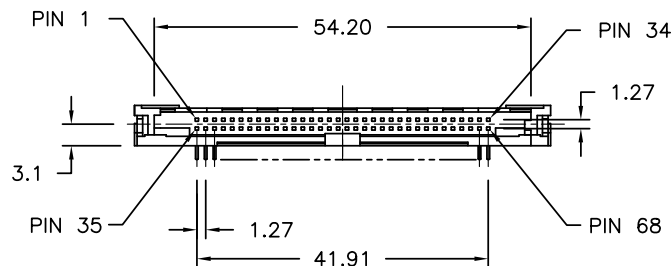


PRODUCT NO.	DIM "X"		
	4.25±0.1	3.5±0.1	5±0.1
71294-0000	OTHERS	36,67	1,17,34, 35,51,68
71294-0000LF	OTHERS	36,67	1,17,34, 35,51,68



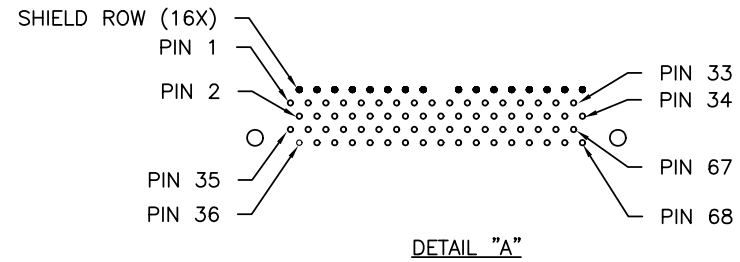
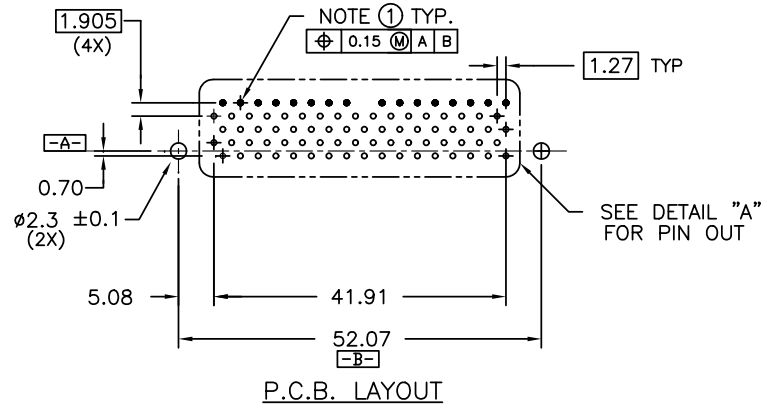
NOTES:

- MATERIAL  
HOUSING: HIGH TEMPERATURE THERMOPLASTIC  
PIN: COPPER ALLOY
- FINISH  
UNDER PLATING : 0.5µm MIN. Ni  
CONTACT AREA : 0.1µm MIN. GOLD OVER 0.5µm MIN. Pd-Ni  
SOLDER TAIL (TIN LEAD OPTION) : 2.5µm MIN. Sn-Pb  
SOLDER TAIL (LEAD FREE OPTION) : 2.5µm MIN. PURE TIN
- RECOMMENDED SCREW TORQUE: 1.0 TO 1.5 MAX in-lbs (1.2-1.7 cm-kgs).  
RECOMMENDED HOLD DOWN: 2mm SCREWS (95121-001)  
AND NUTS (92869-001).
- SEE SHEET 2 FOR P.C.B. LAYOUT.
- IF LEAD FREE P/N. THE HOUSING WILL WITHSTAND EXPOSURE TO 260°C PEAK TEMPERATURE FOR 10 SECONDS IN A WAVE SOLDER APPLICATION WITH A 1.00MM MINIMUM THICK CIRCUIT BOARD.
- LEAD FREE PRODUCT MEETS EUROPEAN UNION DIRECTIVES AND OTHER COUNTRY REGULATIONS AS DISCRIBLED IN GS-22-008
- IF LEAD FREE P/N. PACKAGING MEETS GS-14-920 SPECIFICATION
- PRODUCT SPEC: 110-263



mat'l. code		surface		tolerance		projection		product family	
		ISO1302		ISO406 ISO1101		MM		PCMCIA	
ltr ecn nodr date		tolerances unless otherwise specified		angle		scale 1:1		title	
A	V61089	RHG	08/20/96	0°±2'	0.X±0.3			RIGHT ANGLE CARDBUS	
B	V70388	RHG	05/22/97		0.XX±0.13			HEADER ASSEMBLY	
C	V12254	TFC	09/25/01		0.XXX±0.05				
D	N05-0054	WB	03/01/05	dr	R.GRAPE	08/20/96	dwg no		sheet 1 of 2
E	BLX-N-007945	ZK	11/01/11	enr	D.BRANN	08/20/96	71294		A4
				chr	D.BRANN	08/20/96	type		Product Customer Drawing
				appd	D.BRANN	08/20/96			
sheet	revision	E							
index	sheet	1	2						





NOTES:

- ① RECOMMENDED DIAMETER IS  $\phi 1.0$ . FOR PROCESSES USING PASTE REFLOW, HOLE MAY BE AS SMALL AS  $\phi 0.79$ .
- 2 ALL TOLERANCES  $\pm 0.15$  UNLESS NOTED.

mat'l. code		surface ISO1302 <input checked="" type="checkbox"/> ISO406 ISO1101		tolerance tolerances unless otherwise specified		projection $\phi$ $\triangleleft$		product family PCMCIA	
ltr ecn nodr date		angle 0°±2'		0.X±0.3 0.XX±0.13 0.XXX±0.05		MM scale 1:1		RIGHT ANGLE CARDBUS HEADER ASSEMBLY	
sheet index		revision sheet		dr R.GRAPE 08/20/96		engr D.BRANN 08/20/96		dwg no 71294 sheet 2 of 2 size A4	
				chr D.BRANN 08/20/96		appd D.BRANN 08/20/96		type Product Customer Drawing	