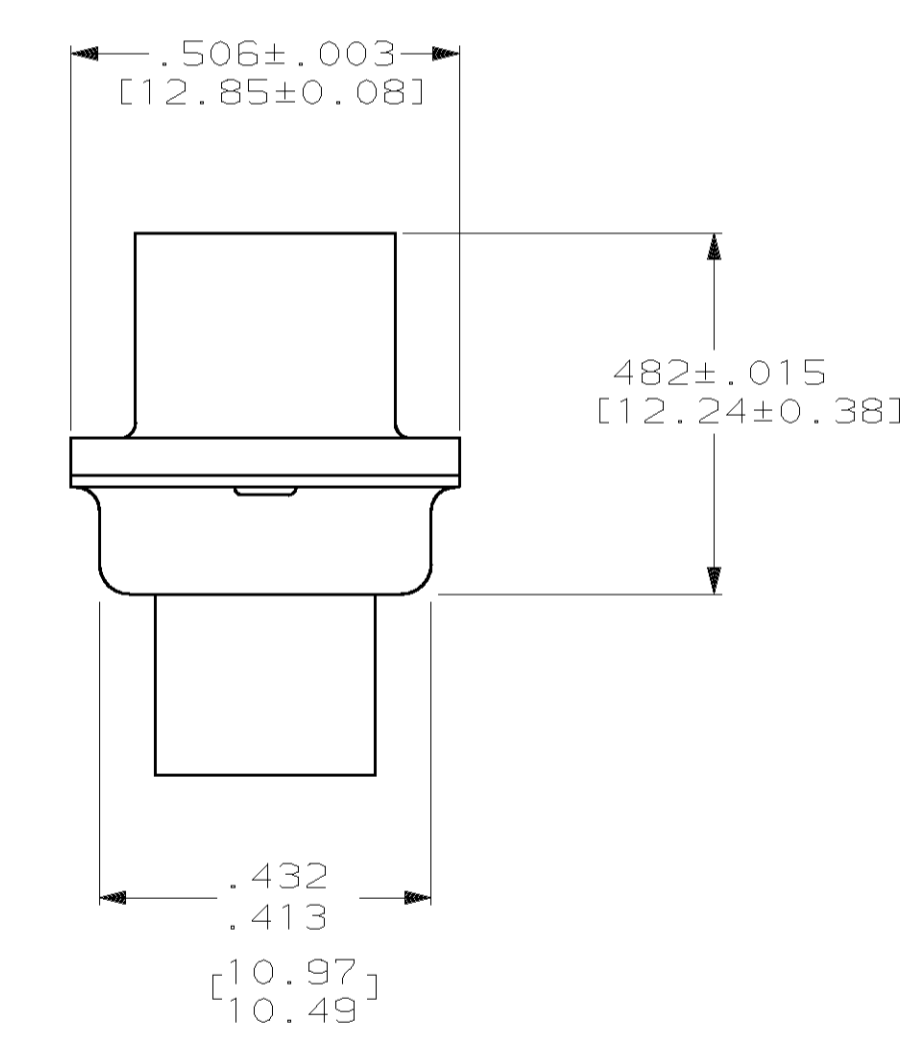
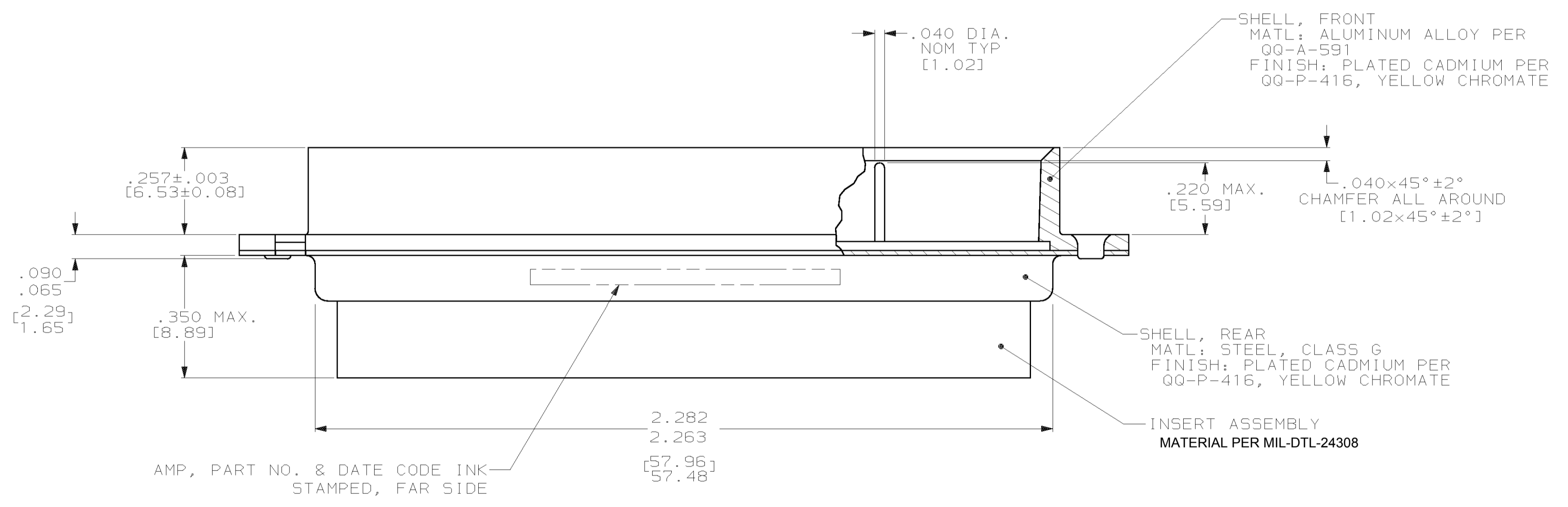
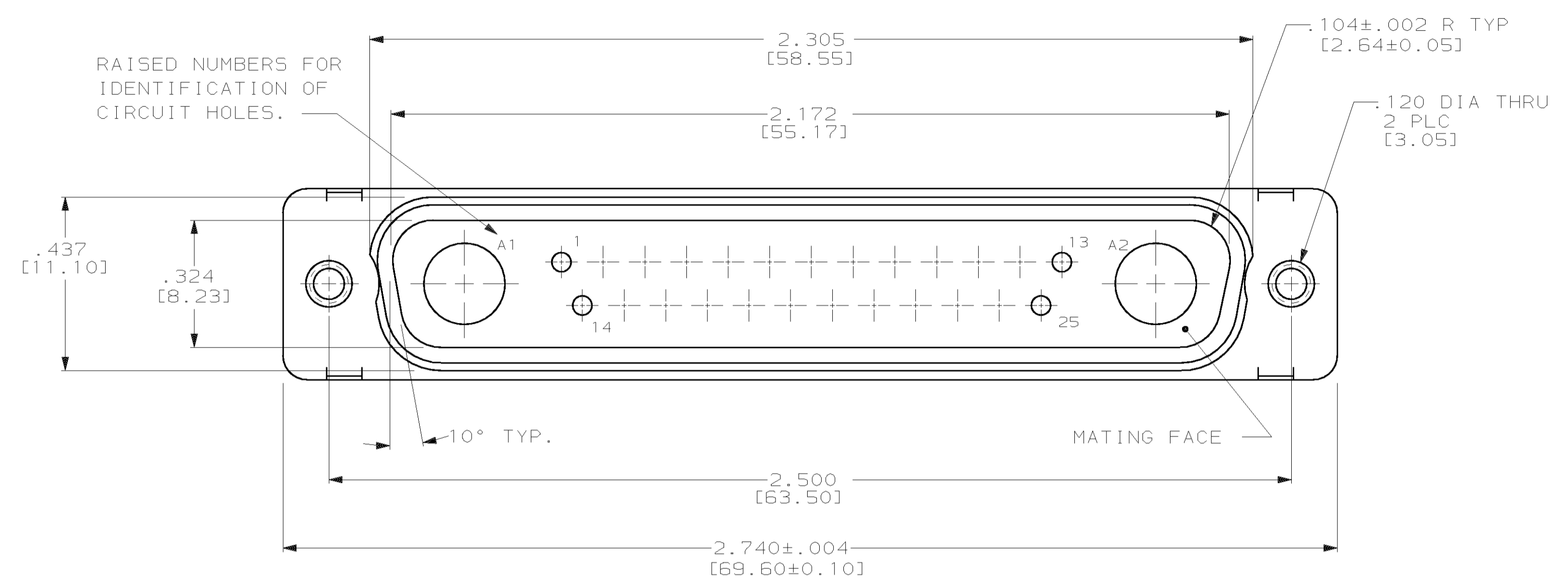


LOC	DIST	REVISIONS				
DF	DO	REV	DESCRIPTION	DATE	OWN	APVD
		0	RELEASED PER NPR 90-0542	2-91	PY	FK
		A	REV PER ECO 15-005922	6-1-15	CT	DM



1. THIS PLUG WILL MATE WITH ANY 27C2, SIZE 4 RECEPTACLE IN AMPLIMITE SERIES.
2. SST RETENTION CLIPS ARE INCLUDED IN INSERTS AT POSITIONS 1 THRU 25
3. THIS PLUG IS DESIGNED TO CONFORM TO THE LATEST ISSUE OF MIL-C-24308.
4. CONNECTOR SUPPLIED WITHOUT CONTACTS; SHOWN FOR ILLUSTRATION ONLY.
5. POSITIONS 1 THRU 25 WILL ACCEPT SIZE 20 DM PIN CONTACT M39029/64-369 OR ANY AMP SIZE 20 DF PIN CONTACT

447732-1
PART NO.

THIS DRAWING IS A CONTROLLED DOCUMENT.		DWN P. YEAGER 2-14-91	AMP Incorporated Harrisburg, PA 17105-3608
DIMENSIONS: INCHES (mm)		CHK F. KENSEY 2-14-91	
TOLERANCES UNLESS OTHERWISE SPECIFIED:		APVD F. KENSEY 2-14-91	NAME PLUG ASSY, AMPLIMITE, COAX MIX, 27C2, SIZE 4 SERIES 109, BLINDMATE
0 PLC ±. 1 PLC ±. 2 PLC ±. 3 PLC ±.005 (0.13) 4 PLC ±. ANGLES 40°-30°		PRODUCT SPEC APPLICATION SPEC	
MATERIAL SEE CALLOUTS	FINISH SEE CALLOUTS	WEIGHT -	SIZE A1
CUSTOMER DRAWING		SCALE 4:1	SHEET 1 OF 1