

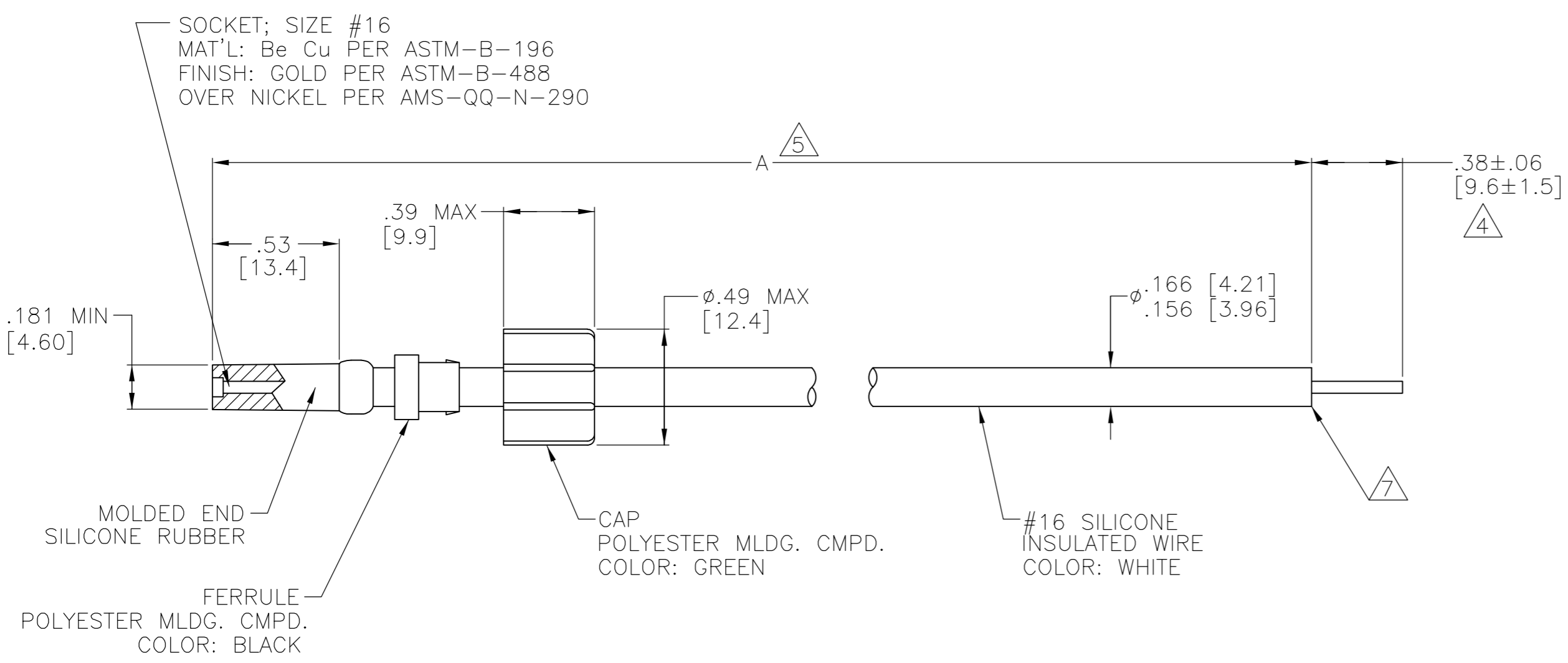
THIS DRAWING IS UNPUBLISHED. RELEASED FOR PUBLICATION - .N/A .  
 © COPYRIGHT N/A BY TYCO ELECTRONICS CORPORATION. ALL RIGHTS RESERVED.

LOC	DIST	REVISIONS					
		P	LTR	DESCRIPTION	DATE	DWN	APVD
DF	S0		C	REV PER ECO-05-002584	07-05	AA	DE

1. MARKED PER MIL-STD-130; .09 HIGH CHARS.
2. TO MATE WITH AMP LGH-1/2 RECEPTACLE WITH .53 [13.4] BARREL DEPTH.
3. OPERATING VOLTAGE: 10 KVDC AT 0 TO 70,000 FEET, -55°C TO 125°C.
- △ 4. PIGTAIL IS SOLDER DIPPED. (867963-1 & -2 ONLY)
- △ 5. TOLERANCE OF LEAD LENGTH:  
UP TO 24 INCHES [609.6] = ±.12 [±3.0]  
24 INCHES [609.6] & UP = ±1%
6. SPECIAL HANDLING REQUIREMENTS:  
PACKAGED ONE ASS'Y PER POLYBAG WITH TAG.  
TAG INFO.:

AMP INC (00779)  
 (AMP P/N)  
 (CUST P/N)  
 QTY (1)  
 DO NOT OPEN  
 UNTIL READY TO USE

△ 7. INSULATION CUT BUT NOT REMOVED. (5-967963-2 ONLY)



	△ 7	301-0002-270	5.00 [127.0]	5-867963-2
	△ 4	301-0002-270	5.00 [127.0]	867963-2
OBSOLETE	△ 4	301-0002-190	4.00 [101.6]	867963-1
	REMARKS	CUSTOMER P/N	A DIM △ 5	PART NO.

THIS DRAWING IS A CONTROLLED DOCUMENT.		DWN	30-JUL-90	 Tyco Electronics Corporation Harrisburg, Pa 17105-3608
DIMENSIONS: INCHES		CHK	28-AUG-90	
TOLERANCES UNLESS OTHERWISE SPECIFIED:		APVD	28-AUG-90	
0 PLC ± - 1 PLC ± - 2 PLC ± .02 [0.5] 3 PLC ± - 4 PLC ± - ANGLES ± -		NAME	D.EABY	
MATERIAL SEE CALLOUTS		FINISH	SEE CALLOUTS	LEAD ASSY POS STOP, SGL END LGH-1/2
WEIGHT		SCALE	2:1	RESTRICTED TO
CUSTOMER DRAWING		SIZE	A2	
SCALE		CAGE CODE	00779	
SHEET		DRAWING NO	C=867963	
REV				

867963